

IMPORTANT SAFETY INSTRUCTIONS

When using a battery-operated appliance, basic safety precautions should always be followed, including the following:

Read all instructions before using this appliance.

WARNING

To reduce the risk of burns, fire or injury to persons:

1. Close supervision is necessary when this appliance is used by, on, or near children or invalids.
2. Use this appliance for its intended household use as described in this manual. Do not use attachments not recommended by Philips North America LLC.
3. Never operate this appliance if it is not working properly, or if it has been dropped or damaged. For assistance call 1-800-243-3050.
4. Do not use outdoors or operate where aerosol (spray) products are being used or where oxygen is being administered.
5. Never put the appliance in direct sunlight. Always use and store the appliance at a temperature between 40°F (4,5°C) and 100°F (38°C).
6. Always check trimming head and guard(s) before using. Do not use the appliance if the trimming head or guard(s) are damaged, as injury may occur.
7. If appliance will not be used on a regular basis, remove the battery to prevent possible damage due to chemical leakage. If battery does leak, remove it carefully. Do not allow bare skin to touch leaking fluid.
8. The battery used in this device may present a fire or chemical burn hazard if mistreated. Do not disassemble, heat above 100°C (212°F) or incinerate.

SAVE THESE INSTRUCTIONS

IMPORTANT INFORMATION

CAUTION

- ⚠ If the appliance and accessories are subjected to a major change in temperature, pressure or humidity, let it acclimatize for 30 minutes before using.
- ⚠ For hygienic reasons, it is recommended that the trimmer be used by only one person.
- ⚠ This appliance is only intended for trimming nose, ear, neck or eyebrow hair.
- ⚠ Do not insert the trimmer tip more than 3/16 in./5mm into the nostril or outer ear when trimming nose and ear hairs.
- ⚠ Be careful to always keep trimmer away from eyes and eyelashes.
- ⚠ Do not use while bathing, showering or immerse trimmer in water or other liquids as damage to the trimmer may occur.



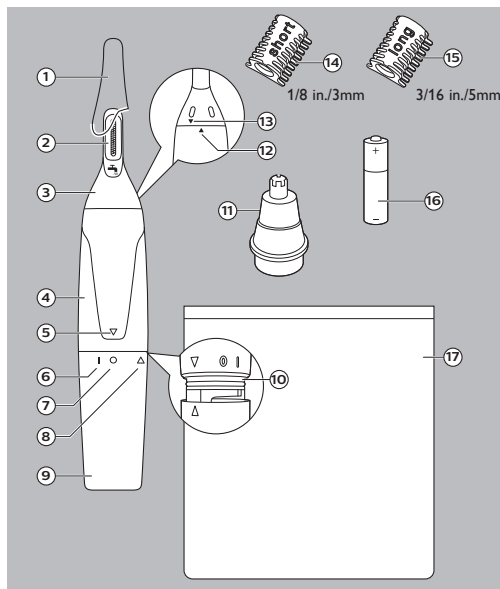
- ⚠ Keep the trimmer handle away from water.
- ⚠ Never use compressed air, scouring pads, abrasive cleaning agents or aggressive liquids such as gasoline or acetone to clean the appliance.
- ⚠ Do not apply pressure or touch trimmer with hard objects as this may dent or damage trimmer.
- ⚠ Turn trimmer off before putting on or taking off attachments or cleaning.
- ⚠ Make sure your hands and trimmer are dry when inserting the battery.
- ⚠ For best performance, use a non-rechargeable 1.5V AA Lithium battery. However, any non-rechargeable 1.5V AA battery may be used as a replacement.

GENERAL

- ⚠ Use this appliance for its intended household use as described in this manual.
- ⚠ Test trimmer on a small area of your arm or leg. If any sensitivity occurs, discontinue use. Do not use trimmer on sensitive areas or irritated skin.
- ⚠ Be certain your skin is clean. If you have sensitive skin, you may wish to apply talcum powder before and/or after use. Do not use deodorant or alcohol-based lotions immediately before or after using.
- ⚠ It is not necessary to press hard to get a close result. Pressing too hard may cause skin irritation, and the trimmer will not function properly.
- ⚠ For optimum trimming of outer ear hair, pull skin taut with one hand while using.
- ⚠ Clean the trimmer after each use.



Features



- 1 Travel Cap (NT3000)
- 2 Cutting Element
- 3 Precision Trimmer Head
- 4 Handle
- 5 Setting Indicator
- 6 'On' Indicator
- 7 'Off' Indicator
- 8 'Open' Indicator
- 9 Battery Compartment Cover
- 10 Sealing Ring
- 11 Nose/Ear Hair Trimmer
- 12 'Unlocked' Indicator
- 13 Locking Indicator
- 14 Short Eyebrow Guard
- 15 Long Eyebrow Guard
- 16 1 "AA" 1.5 Volt Lithium Battery
- 17 Storage Bag (NT3500)



Introduction

Congratulations on your purchase and welcome to Philips Norelco!

To fully benefit from the support that Philips Norelco offers, register your product at www.norelco.com/register

PHILIPS
NORELCO

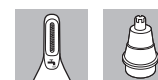
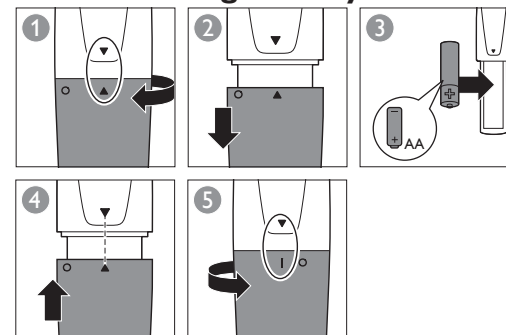
NT3500,
NT3000



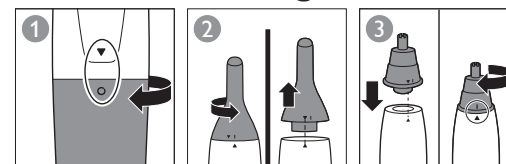
4222.002.8740.2



Inserting Battery



Detaching/Attaching Cutting Elements





Trimming Nose Hair



- ▶ You can use the precision trimming head or the nose/ear hair trimmer to trim nose hair.
- ▶ Make sure nasal passages are clean before trimming.
- ▶ Clean thoroughly after each use.

Tip: For best results, slowly move trimmer tip in and out of each nostril making sure the side of the tip is held firmly against the skin. This will reduce the tickling effect that can occur.



Trimming Ear Hair

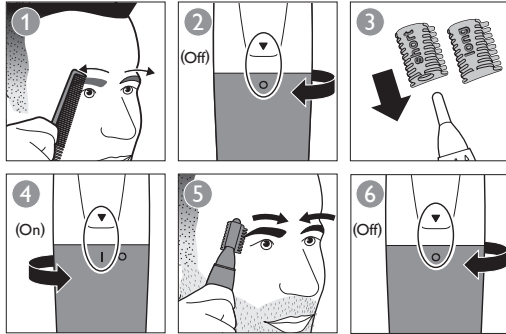


- ▶ You can use the precision trimming head or the nose/ear hair trimmer to trim ear hair.
- ▶ Before trimming, clean the outer area of the ear and make sure it is free of wax.
- ▶ Clean thoroughly after each use.

Tip: You can also trim your neck hair. Pull skin taut with one hand and place the trimmer gently on the skin. Move the trimmer slowly over the skin against the direction of hair growth making sure the trimmer is in complete contact with the skin.



Trimming Eyebrows

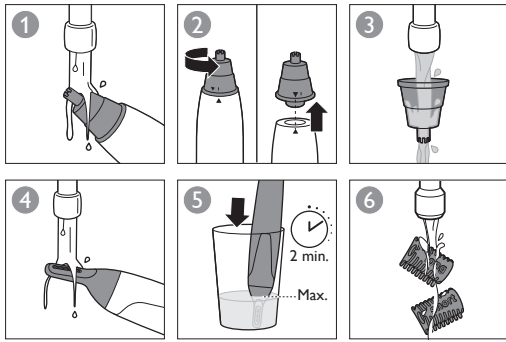


- ▶ Make sure the guard slides into the grooves on both sides of the trimmer.

Tip: If trimming for the first time, start by using the Long Guard (3/16 in./5mm) to prevent accidentally trimming hairs too short.



Cleaning



Note: Allow all parts to air dry thoroughly.

Tip: For best cleaning results, immerse only the cutting element of the trimmer head in warm water for a few minutes and then turn trimmer ON to remove any remaining debris/hairs.

This appliance has no other user-serviceable parts. For assistance call 1-800-243-3050.



Storage

- ▶ Store the appliance in a safe, dry location.



Troubleshooting

This chapter summarizes the most common problems you could encounter with the appliance. If you are unable to solve the problem with the information below, visit www.philips.com/support or call 1-800-243-3050 for assistance.

Problem	Possible cause	Solution
The appliance does not work as well as it should.	Hairs may be stuck in the cutting element or guards.	Clean the appliance (see 'Cleaning' section).
The appliance pulls on the hairs.	You move the appliance too fast.	Do not move the appliance too fast.
The appliance does not work.	The disposable battery is empty.	Insert a new battery.
	The disposable battery is empty or has been inserted incorrectly.	Replace the battery or insert it correctly.
	The cutting element of the trimmer head is dirty.	Immerse the cutting element in a glass of warm water for a few minutes. Turn on trimmer to remove any remaining debris/hairs.



Disposal

- ▶ Your product is designed and manufactured with high quality materials and components, which can be recycled and reused. For recycling information, please contact your local waste management facilities or visit www.recycle.philips.com
- ▶ Battery must be removed from the appliance before discarding. Dispose of battery properly. Do not incinerate. Battery may explode if overheated. Do not wrap in metal or aluminum foil. Wrap in newspaper before discarding. It is suggested that you contact your local town or city to determine proper battery drop-off locations.



45-Day Money-Back Guarantee

If you are not fully satisfied with your Philips Norelco appliance send the product back and we'll refund you the full purchase price.

The Trimmer must be shipped prepaid by insured mail, insurance prepaid, have the original sales receipt, indicating purchase price and date of purchase, and the money-back guarantee return authorization form enclosed. We cannot be responsible for lost mail.

The Trimmer must be postmarked no later than 45 days after the date of purchase. Philips Norelco reserves the right to verify the purchase price of the product and limit refunds not to exceed suggested retail price.

To obtain money-back guarantee return authorization form, call 1-800-243-3050 for assistance.

Delivery of refund check will occur 6-8 weeks AFTER receipt of returned product.



Full Two-Year Warranty

Philips North America LLC warrants each new Philips Norelco product, Models NT3500, NT3000 (except cutters and guards) against defects in materials or workmanship for a period of two years from the date of purchase, and agrees to repair or replace any defective product without charge.

IMPORTANT: This warranty does not cover damage resulting from accident, misuse or abuse, lack of reasonable care, the affixing of any attachment not provided with the product or loss of parts or subjecting the product to any but the specified battery.*
NO RESPONSIBILITY IS ASSUMED FOR ANY SPECIAL, INCIDENTAL OR CONSEQUENTIAL DAMAGES.

In order to obtain warranty service, simply go to www.philips.com/norelco or call 1-800-243-3050 for assistance. It is suggested that for your protection you return shipments of product by insured mail, insurance prepaid. Damage occurring during shipment is not covered by this warranty. **NOTE:** No other warranty, written or oral, is authorized by Philips North America LLC. This warranty gives you specific legal rights, and you may also have other rights which vary from state to state. Some states do not allow the exclusion or limitation of incidental or consequential damages, so the above exclusion and limitations may not apply to you.
*Read enclosed instructions carefully.

Manufactured for:
Philips Consumer Lifestyle
A division of Philips North America LLC
P.O. Box 10313, Stamford, CT 06904

Norelco is a registered trademark of Philips North America LLC.

PHILIPS is a registered trademark of Koninklijke Philips N.V.

© 2019 Philips North America LLC. All rights reserved.