

HP8605



EN User manual

ZH-CN 用户手册

PHILIPS



English

1 Congratulations

Congratulations on your purchase, and welcome to Philips! To fully benefit from the support that Philips offers, register your product at <http://www.philips.com.cn/>.

2 Introduction

CurlControl with 25mm barrel for natural looking curls features a protective ceramic coating and 8 heat settings to suit your hair type. Create the curls that are easy to manage, look natural and feel sexy without the damage and dryness. We hope you will enjoy using your CurlControl.

3 Important

Read this user manual carefully before you use the appliance and save it for future reference.

- **WARNING:** Do not use this appliance near water.
- When the appliance is used in a bathroom, unplug it after use since the proximity of water presents a risk, even when the appliance is switched off.
- **WARNING:** Do not use this appliance near bathtubs, showers, basins or other vessels containing water.
- Always unplug the appliance after use.
- If the mains cord is damaged, you must have it replaced by service centre or similarly qualified persons in order to avoid a hazard.
- This appliance can be used by children aged from 8 years and above and persons with reduced physical, sensory or mental capabilities or lack of experience and knowledge if they have been given supervision or instruction concerning use of the appliance in a safe way and understand the hazards involved. Children shall not play with the appliance. Cleaning and user maintenance shall not be made by children without supervision.

- For additional protection, we advise you to install a residual current device (RCD) in the electrical circuit that supplies the bathroom. This RCD must have a rated residual operating current not higher than 30mA. Ask your installer for advice.
- Before you connect the appliance, ensure that the voltage indicated on the appliance corresponds to the local power voltage.
- Do not use the appliance for any other purpose than described in this manual.
- When the appliance is connected to the power, never leave it unattended.
- Never use any accessories or parts from other manufacturers or that Philips does not specifically recommend. If you use such accessories or parts, your guarantee becomes invalid.
- Do not wind the mains cord round the appliance.
- Wait until the appliance has cooled down before you store it.
- Pay full attention when using the appliance since it could be extremely hot. Only hold the handle as other parts are hot and avoid contact with the skin.
- Always place the appliance with the stand on a heat-resistant, stable flat surface. The hot barrel should never touch the surface or other flammable material.
- Avoid the mains cord from coming into contact with the hot parts of the appliance.
- Keep the appliance away from flammable objects and material when it is switched on.

- Never cover the appliance with anything (e.g. a towel or clothing) when it is hot.
- Only use the appliance on dry hair. Do not operate the appliance with wet hands.
- Keep the barrel clean and free of dust and styling products such as mousse, spray and gel.
- The barrel has ceramic coating. This coating might slowly wear away over time. However, this does not affect the performance of the appliance.
- If the appliance is used on color-treated hair, the barrel may be stained. Before using it on artificial hair, always consult their distributor.
- Always return the appliance to a service centre authorized by Philips for examination or repair. Repair by unqualified people could result in an extremely hazardous situation for the user.
- Do not insert metal objects into openings to avoid electric shock.

Electromagnetic fields (EMF)

This Philips appliance complies with all applicable standards and regulations regarding exposure to electromagnetic fields.

Environment

Do not throw away the appliance with the normal household waste at the end of its life, but hand it in an official collection point for recycling. By doing this, you help to preserve the environment.



简体中文

1 欢迎使用

感谢您的惠顾，欢迎光临飞利浦！为了您能充分享受飞利浦提供的支持，请在 <http://www.philips.com.cn/> 上注册您的产品。

2 产品简介

CurlControl 卷发造型器有 25 毫米卷发钳，保护性陶瓷涂层和 8 种温度设定适合您的发质类型，可带来靓丽自然的卷发效果。打造易于打理的自然性感卷发，让秀发远离受损或干枯。我们希望您喜欢使用 CurlControl 卷发造型器。

3 重要信息

使用本产品之前，请仔细阅读本使用说明书，并妥善保管以备日后参考。

- **警告：**请勿在靠近水的地方使用本产品。
- 本产品在浴室内使用时，使用后请拔下插头，因为即使本产品开关断开后，接近水仍存在危险。
- **警告符号注释：**禁止在洗澡或淋浴时使用。
- **警告：**不要在盛水的浴缸、淋浴、洗脸盆或其他器皿附近使用本器具。
- 使用后务必拔下产品的插头。
- 如果电源软线损坏，为避免危险，必须由制造厂或其维修部或类似的专职人员来更换。
- 本产品适合由 8 岁或以上年龄的儿童以及肢体不健全、感觉或精神上有所障碍或缺乏相关经验和知识的人士使用，但前提是有人对他们使用本产品进行监督或指导，以确保他们安全使用，并且让他们明白相关的危害。不得让儿童玩耍本产品。不要让儿童在无人监督的情况下进行清洁和保养。
- 为了增加保护，建议在浴室供电的电气回路中安装一个额定剩余工作电流不超过 30mA 的剩余电流装置 (RCD)。向 RCD 安装商咨询。
- 连接产品之前，请确保产品上标示的电压与当地电源电压相符。
- 请勿将本产品用于本手册中说明以外的任何其它用途。
- 当产品连接了电源时，切勿让其无人看管。
- 切勿使用由其它制造商生产的，或未经飞利浦特别推荐的任何附件或部件。如果使用此类附件或部件，您的保修将失效。
- 切勿将电源线缠绕在产品上。



- 待产品完全冷却后再存放。
- 由于卷发棒温度高，请在使用时多加注意。只能握住手柄，因为其他部位温度高，请避免与皮肤接触。
- 始终将本产品放置在隔热的平稳表面上。热卷发棒不得接触其他可燃材料或其表面。
- 不要使电源线接触到产品的灼热部分。
- 如果产品已打开，请使产品远离易燃物体和材料。
- 当产品变热时切勿在其表面覆盖任何物品（如毛巾或衣服）。
- 产品只能用于干的头发。切勿用湿手操作本产品。
- 保持卷发棒洁净无尘且未粘上定型产品（如摩丝、定型喷剂和发胶）。
- 卷发棒具有陶瓷涂层。此涂层可能会随着时间的推移慢慢磨损。但是，这并不影响产品的性能。
- 将产品用于染过色的头发时，卷发棒可能会染上颜色。将产品用于假发之前，务必先咨询其经销商。
- 产品只能送到飞利浦授权的服务中心检修。由不合格人员进行修理可能将用户置于极度危险的境地。
- 切勿将金属物体插入开口中，以免触电。

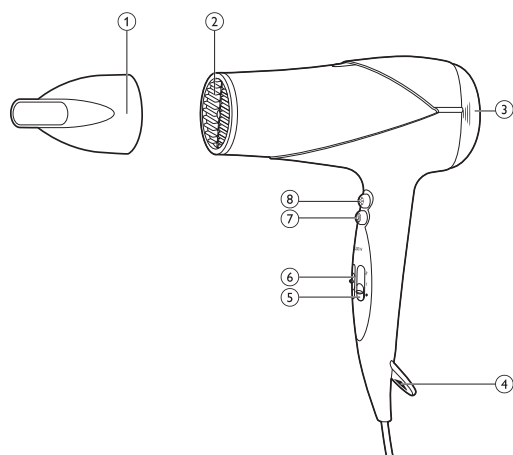
电磁场 (EMF)

本飞利浦产品符合所有有关暴露于电磁场的适用标准和法规

环境

弃置产品时，请不要将其与一般生活垃圾堆放在一起；应将其交给官方指定的回收中心。这样做有利于环保。





EN User manual

ZH-CN 用户手册

PHILIPS



English

Congratulations on your purchase, and welcome to Philips! To fully benefit from the support that Philips offers, register your product at <http://www.philips.com.cn/c/>.

1 Important

Read this user manual carefully before you use the appliance and keep it for future reference.

- **WARNING:** Do not use this appliance near water.
- When the appliance is used in a bathroom, unplug it after use since the proximity of water presents a risk, even when the appliance is switched off.
- **WARNING:** Do not use this appliance near bathtubs, showers, basins or other vessels containing water.
- Always unplug the appliance after use.



- If the appliance overheats, it switches off automatically. Unplug the appliance and let it cool down for a few minutes. Before you switch the appliance on again, check the grilles to make sure they are not blocked by fluff, hair, etc.
- If the mains cord is damaged, you must have it replaced by a service centre or similarly qualified persons in order to avoid a hazard.
- This appliance can be used by children aged from 8 years and above and persons with reduced physical, sensory or mental capabilities or lack of experience and knowledge if they have been given supervision or instruction concerning use of the appliance in a safe way and understand the hazards involved. Children shall not play with the appliance. Cleaning and user maintenance shall not be made by children without supervision.
- For additional protection, we advise you to install a residual current device (RCD) in the electrical circuit that supplies the bathroom. This RCD must have a rated residual operating current not higher than 30mA. Ask your installer for advice.
- Do not insert metal objects into the air grilles to avoid electric shock.
- Never block the air grilles.
- Before you connect the appliance, ensure that the voltage indicated on the appliance corresponds to the local power voltage.
- Do not use the appliance for any other purpose than described in this manual.
- Do not use the appliance on artificial hair.

- When the appliance is connected to the power, never leave it unattended.
- Never use any accessories or parts from other manufacturers or that Philips does not specifically recommend. If you use such accessories or parts, your guarantee becomes invalid.
- Do not wind the mains cord round the appliance.
- Wait until the appliance has cooled down before you store it.

Electromagnetic fields (EMF)

This Philips appliance complies with all applicable standards and regulations regarding exposure to electromagnetic fields.

Environment

Do not throw away the appliance with the normal household waste at the end of its life, but hand it in at an official collection point for recycling. By doing this, you help to preserve the environment.



2 Dry your hair

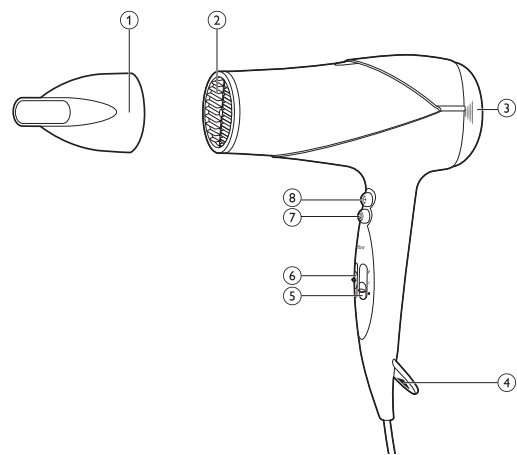
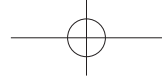
- 1 Connect the plug to a power supply socket.
 - For precise drying, attach the concentrator (1) onto the hairdryer (2).
 - To disconnect the attachment, pull it off the hairdryer.
- 2 Adjust the airflow switch (6) to **I** for gentle airflow and styling, or **II** for strong airflow and fast drying. Press the Turbo button (7) for extra airflow.
- 3 Adjust the temperature switch (5) to ☼ for hot airflow, ☽ for warm airflow, or ● for cool airflow. Press the Cool shot button (8) for cool airflow to fix your style.

After use:

- 1 Switch off the appliance and unplug it.
- 2 Place it on a heat-resistant surface until it cools down.
- 3 Take the air inlet grille (3) off the appliance to remove hair and dust.
 - ↳ To remove the air inlet grille, press the thumbrests on the left and the right side of the air inlet grille simultaneously and pull it off the appliance.
 - ↳ To reattach the air inlet grille, press the thumbrests on the left and the right side of the air inlet grille simultaneously and press it onto the appliance.
- 4 Clean the appliance by damp cloth.
- 5 Keep it in a safe and dry place, free of dust. You can also hang it with the hanging loop (4).

3 Guarantee and service

If you need information or if you have a problem, please visit the Philips website at <http://www.philips.com.cn/c/> or contact the Philips Customer Care Centre in your country (you find its phone number in the worldwide guarantee leaflet). If there is no Consumer Care Centre in your country, go to your local Philips dealer.



4 Troubleshooting

Problem	Cause	Solution
The appliance does not work at all.	The power socket to which the appliance has been connected may be broken.	Check the appliance is plugged in correctly. Check the fuse for this power socket in your home.
	The appliance may not be suitable for the voltage to which it has been connected.	Ensure that the voltage indicated on the type plate of the appliance corresponds to the local mains voltage.

简体中文

感谢您的惠顾，欢迎光临 Philips! 为了您能充分享受 Philips 提供的支持，请在 <http://www.philips.com.cn/c/> 注册您的产品。

1 重要信息

使用产品之前，请仔细阅读本用户手册，并妥善保管以供日后参考。

- 警告：请勿在靠近水的地方使用本产品。
- 本产品仅在浴室内使用时，使用后拔下插头，因为即使本产品开关断开后，接近水仍存在危险。

- 警告符号注释：禁止在洗澡或淋浴时使用。



- 警告：不要在盛水的浴缸、淋浴、洗脸盆或其他器皿附近使用本器具。
- 使用后务必拔下产品的插头。
- 如果产品过热，它将自动关闭电源。拔掉产品插头，让其冷却几分钟。再次启动产品之前，请检查出风口，确保其未被绒毛、头发等杂物堵塞。
- 如果电源软线损坏，为避免危险，必须由制造厂或其维修部或类似的专职人员来更换。
- 本产品适合由8岁或以上年龄的儿童以及肢体不健全、感觉或精神上有障碍或缺乏相关经验和知识的人士使用，但前提是有人对他们使用本产品进行监督或指导，以确保他们安全使用，并且让他们明白相关的危害。不得让儿童玩耍本产品。不要让儿童在无人监督的情况下进行清洁和保养。

- 为了增加保护，建议在浴室供电的电气回路中安装一个额定剩余工作电流不超过 30mA 的剩余电流装置 (RCD)。向 RCD 安装商咨询。

- 切勿将金属物体插入风口，以免触电。
- 切勿阻塞电吹风风口。
- 连接产品之前，请确保产品上标示的电压与当地电源电压相符。
- 请勿将本产品用于本手册中说明以外的任何其它用途。
- 请勿对假发使用本产品。
- 当产品连接了电源时，切勿让其无人看管。
- 切勿使用由其它制造商生产的，或未经飞利浦特别推荐的任何附件或部件。如果使用此类附件或部件，您的保修将失效。
- 切勿将电源线缠绕在产品上。
- 待产品完全冷却后再存放。

电磁场 (EMF)

本飞利浦产品符合所有有关暴露于电磁场的适用标准和法规

环境

弃置产品时，请不要将其与一般生活垃圾堆放在一起，应将其交给政府指定的回收中心。这样做有利于环保。



2 吹干头发

- 将插头连接至电源插座。
 - 要更精确地吹干头发，请将集风嘴 (1) 安装到电吹风 (2) 上。
 - 要卸下附件，将其从产品拉出即可。
- 将风速开关 (4) 调至 I 可获得弱风用于造型，调至 II 可获得强风用于快速吹干。按下强风按钮 (7) 可获得超强风。
- 将温度开关 (5) 调至 2 可获得热风，调至 1 可获得暖风，调至 0 可获得冷风。按冷风喷出按钮 (6) 可获得冷风用于定型。

使用后：

- 关闭产品并拔下电源插头。
- 将产品置于隔热表面上，直至其冷却。
- 将进风口 (3) 从产品上卸下，清除毛发和灰尘。
 - 要卸下进风口，请同时按下进风口左侧和右侧的拇指凹槽，并将进风口从产品上拉下。
 - 要重新安装进风口，请同时按下进风口左侧和右侧的拇指凹槽，并将进风口按到产品上。
- 用湿布清洁本产品。
- 将产品存放在安全、干燥、清洁的位置。您也可以使用挂环 (4) 将产品挂起存放。

3 保修和服务

如果您需要了解信息或有任何疑问，请访问飞利浦网站 <http://www.philips.com.cn/c/>。您也可以与您所在地的飞利浦客户服务中心联系（可从保修卡中找到其电话号码）。如果您所在的国家/地区没有飞利浦客户服务中心，请向当地的飞利浦经销商求助。

4 故障种类和处理方法

问题	原因	解决方法
产品完全不工作。	产品所连接的电源插座可能已损坏。	检查设备已正确插入。 检查您家中电源插座的保险丝。
	产品连接的电源电压可能与产品电压不符。	确保产品型号铭牌上标示的电压与当地电源电压相符。

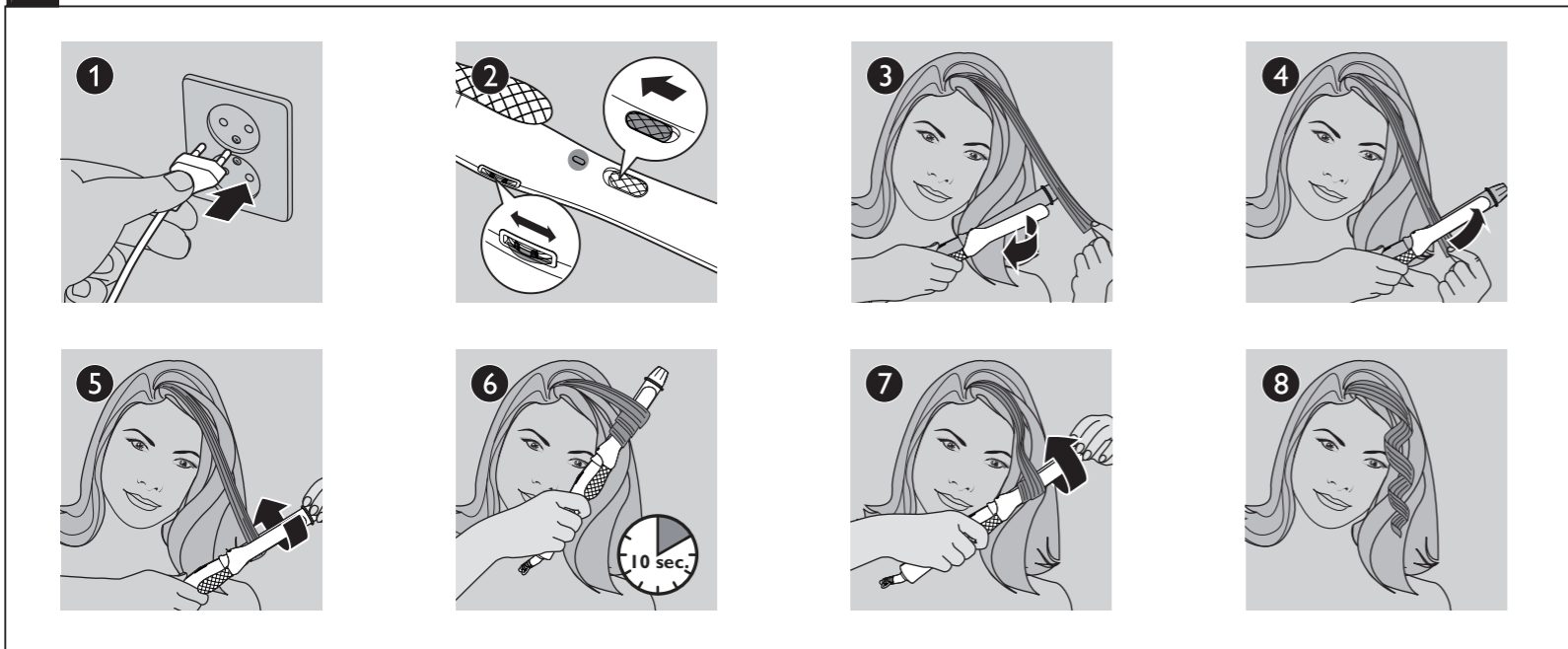
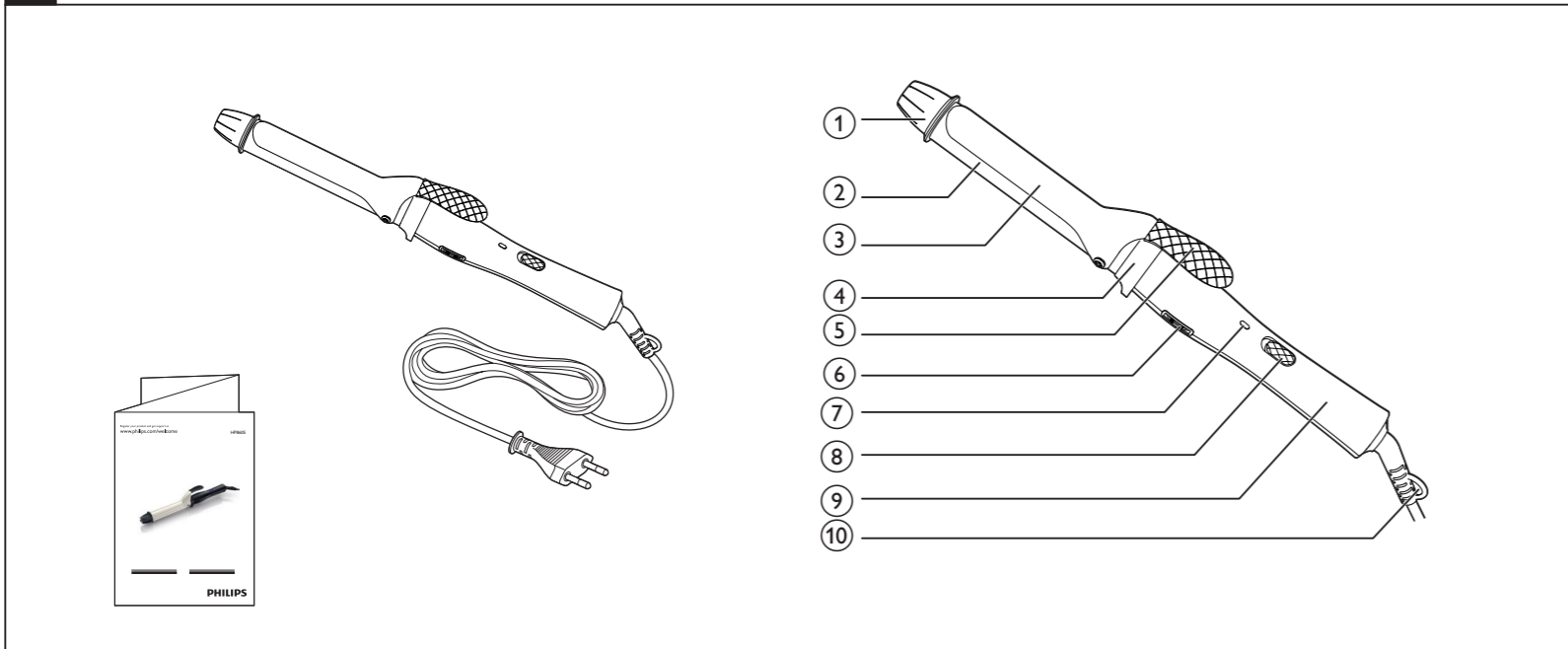
PHILIPS

产品 : 飞利浦电吹风
型号 : HP8180
额定电压 : 220V~
额定频率 : 50Hz
额定输入功率 : 2100 W
生产日期 : 请见产品本体
产地 : 中国广东东莞



珠海经济特区飞利浦家庭电器有限公司
中国珠海市三灶镇琴石工业区
全国顾客服务热线: 4008 800 008

本产品根据国际GB4706.1-2005, GB4706.15-2008, GB4343.1-2009及GB17625.1-2012制造



English

1 Curl your hair

Ensure that you select a temperature setting that is suitable for your hair. Always select a low setting when you use the curler for the first time.

Hair Type	Temperature Setting
Coarse, curly, hard-to-curl	Mid to High (setting 4-8)
Fine, medium-textured or softly straightened	Low to Mid (setting 1-5)
Pale, blonde, bleached or color-treated	Low (setting 1-3)

- 1 Connect the plug to a power supply socket.
- 2 Slide the on/off switch (8) to I to switch on the appliance.
 - ↳ The power-on indicator (7) lights up and starts blinking.
- Turn the rheostat wheel (6) to select your desired temperature setting as recommended in the table above.
 - ↳ When the appliance is ready for use, the indicator (7) stops blinking.
- 3 Before you start curling, comb your hair and divide your hair into small sections. Press the lever (5) and place a section of hair between the barrel (2) and clip (3).
- 4 Close the Clip by releasing the Lever and slide the handle to the hair tip.
- 5 Hold the cool tip (1) and the handle (9) of the curling iron, and then wind the section of hair round the barrel from tip to root by rotating the curler.
- 6 Hold the curling iron in the position for max. 10 seconds.

Note

- Do not pull at the curler when you unwind the section, otherwise you would straighten the curl.

- 7 Unwind the section of hair until you can open the clip again with the lever.
- 8 Release the curled hair. To curl the rest of your hair, repeat steps 3 to 8. You may curl your hair both from inside out or from outside in as you like.

After use:

- 1 Switch off the appliance and unplug it.
- 2 Place it on the resting stand (4) until it cools down. To place it on a heat-resistant surface is highly recommended.
- 3 Remove hairs and dust from the barrel and clip.
- 4 Clean the barrel and the clip with damp cloth.
- 5 Keep it in a safe and dry place, free of dust. You can also hang it with the hanging loop (10).

2 Guarantee and service

If you need information or if you have a problem, please visit the Philips website at <http://www.philips.com.cn/c/> or contact the Philips Customer Care Centre in your country (you find its phone number in the worldwide guarantee leaflet). If there is no Consumer Care Centre in your country, go to your local Philips dealer or contact the Service Department of Philips Domestic Appliances and Personal Care BV.

3 Troubleshooting

If problems should arise with your curler and you cannot solve them with the information below, please contact the nearest Philips service centre or the Philips Customer Care Centre in your country.

Problem	Cause	Solution
The appliance does not work at all.	The power socket to which the appliance has been connected may not live.	Ensure the socket is live.
	The mains cord of the appliance may be damaged.	If the mains cord is damaged, you must have it replaced by Philips, a service centre authorised by Philips or similarly qualified persons in order to avoid a hazard.

简体中文

1 卷发

确保选择适合您发质的温度设定。首次使用卷发器时应始终选择低温设定。

发质类型	温度设定
粗糙, 带卷, 很难卷曲	中到高 (4-8 档)
纤细, 中性发质或略直	低到中 (1-5 档)
白发、金发、经过漂白或者染过色的头发	低 (1-3 档)

- 1 将插头连接至电源插座。
- 2 将电源开/关 (8) 滑至 I 以打开产品。
 - ↳ 电源指示灯 (7) 亮起并开始闪烁。
- 如上表的推荐所示, 转动可变电阻器拨轮 (6) 以选择您所需的温度设定。
 - ↳ 当产品可供使用时, 指示灯 (7) 将停止闪烁。
- 3 卷发之前, 请梳理头发, 将头发分成数缕。按下控制杆 (5), 将一缕头发放在发桶 (2) 和发夹 (3) 之间。
- 4 松开控制杆以闭合发夹, 并将卷发钳滑向发梢。
- 5 握住卷发造型器的不烫手尖端 (1) 和手柄 (9), 然后旋转卷发器, 将一缕头发从发梢至发根缠绕在卷发钳上。
- 6 将卷发器保持在该位置最多 10 秒。

注

- 解开发缕时不要拉卷发器, 否则可能将卷发拉直。

- 7 解开发缕, 直到可通过控制杆再次打开发夹。
- 8 松开已卷起的头发。要卷起其余头发, 请重复步骤 3 至 8。您可根据喜好, 从内到外或从外到内打造卷发。

使用后:

- 1 关闭产品并拔下电源插头。
- 2 将其放置在搁置架 (4) 上, 直到其冷却。强烈建议将产品置于隔热表面上。
- 3 清除卷发钳和发夹上的头发和灰尘。
- 4 用湿布清洁卷发钳和发夹。
- 5 将产品存放在安全、干燥、清洁的位置。您也可以使用挂环 (10) 将产品挂起存放。

2 保修与服务

如果您需要了解信息或有任何疑问, 请访问飞利浦网站 <http://www.philips.com.cn/c/>。您也可以与您所在地的飞利浦客户服务中心联系 (可从保修卡中找到其电话号码)。如果您所在的国家/地区没有客户服务中心, 也可与当地的飞利浦经销商或飞利浦家电和个人护理 BV 的维修部门联系。

3 故障种类和处理方法

如果卷发器出现问题并且无法根据下面的信息加以解决, 请与最近的飞利浦维修服务中心或您所在国家/地区的飞利浦客户服务中心联系。

问题	原因	解决方法
产品完全无法工作。	产品所连接的电源插座可能没有通电。	确保插座通电。
	产品的电源线可能已损坏。	如果电源软线损坏, 为了避免危险, 必须由制造商、其维修部或类似部门的专业人员进行更换。

PHILIPS

产品 : 飞利浦美发造型器
 型号 : HP8605
 额定电压 : 220V~
 额定频率 : 50Hz
 额定输入功率 : 45 W
 生产日期 : 请见产品本体
 产地 : 中国广东东莞



珠海经济特区飞利浦家庭电器有限公司
 中国珠海市三灶镇琴石工业区
 全国顾客服务热线: 4008 800 008

本产品根据国际GB4706.1-2005, GB4706.15-2008, GB4343.1-2009及GB17625.1-2012制造