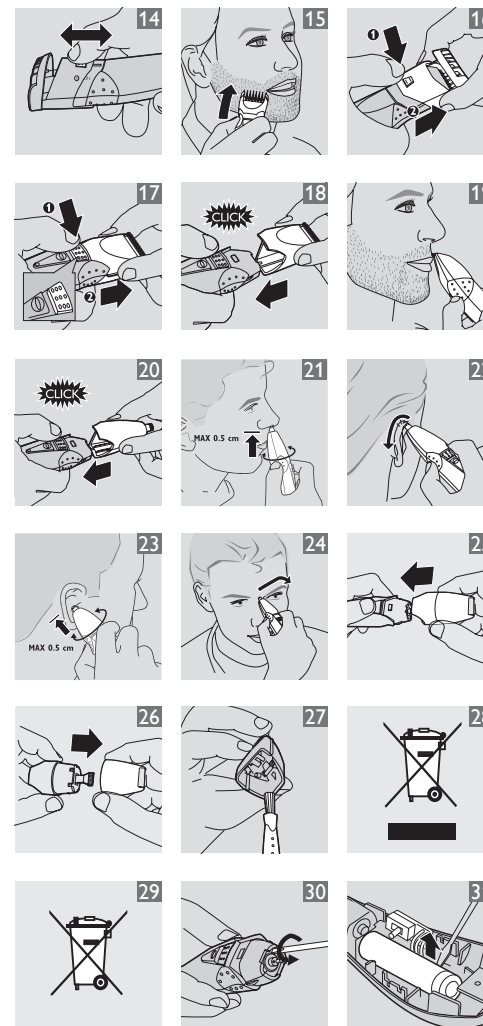
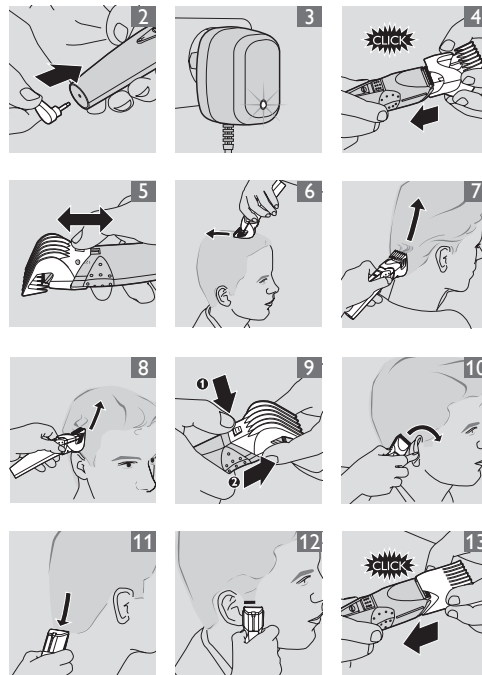
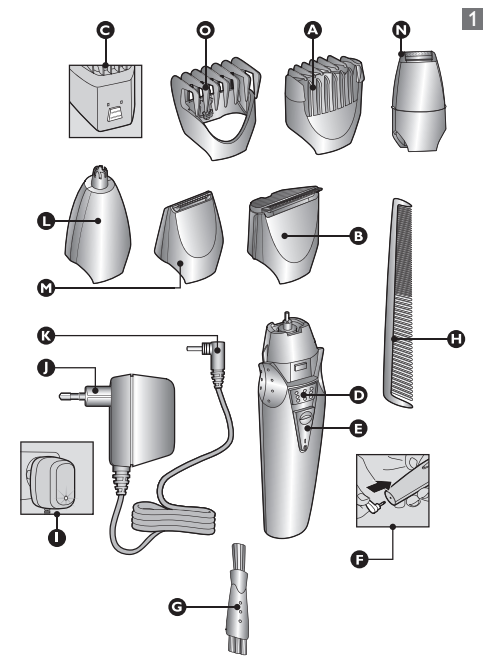




**PHILIPS**



**ENGLISH**

**Introduction**

Congratulations on your purchase and welcome to Philips! To fully benefit from the support that Philips offers, register your product at [www.philips.com/welcome](http://www.philips.com/welcome).

**General description (Fig. 1)**

- A** 2D ContourTracking beard trimming comb (flexible)
- B** Trimming attachment
- C** Hair length selector
- D** Release button
- E** On/off slide
- F** Socket for appliance plug
- G** Cleaning brush
- H** Barber's comb
- I** Charging light
- J** Adapter
- K** Appliance plug
- L** Nose/ear/eyebrow attachment
- M** Precision attachment
- N** Micro shaver
- O** Hair clipping comb (non-flexible)

**Important**

Read this user manual carefully before you use the appliance and save it for future reference.

**Danger**

- Make sure the adapter and the appliance do not get wet.

**Warning**

- Check if the voltage indicated on the adapter and on the appliance corresponds to the local mains voltage before you connect the appliance.
- The adapter contains a transformer: Do not cut off the adapter to replace it with another plug, as this causes a hazardous situation.
- This appliance is not intended for use by persons (including children) with reduced physical, sensory or mental capabilities, or lack of experience and knowledge, unless they have been given supervision or instruction concerning use of the appliance by a person responsible for their safety.
- Children should be supervised to ensure that they do not play with the appliance.



## Caution

- Use, charge and store the appliance at a temperature between 15°C and 35°C.
- Only use the adapter supplied to charge the appliance.
- If the adapter is damaged, always have it replaced with one of the original type in order to avoid a hazard.
- Do not use an attachment or comb if it is damaged or broken, as this may cause injury.
- This appliance is only intended for clipping human scalp hair; shaving the human beard line and trimming the human beard, moustache, sideburns, nose hair, ear hair and eyebrows. Do not use it for any other purpose.
- If the appliance is subjected to a major change in temperature, pressure or humidity, let the appliance acclimatise for 30 minutes before you use it.
- Do not place the beard trimming comb or the hair clipping comb on the precision attachment.

## Compliance with standards

- This Philips appliance complies with all standards regarding electromagnetic fields (EMF). If handled properly and according to the instructions in this user manual, the appliance is safe to use based on scientific evidence available today.

## Charging

Charge the appliance fully before you use it for the first time or after a long period of disuse. It takes approx. 10 hours to charge the battery fully. A fully charged appliance has a cordless operating time of up to 35 minutes. When you charge the appliance for 3 hours, you can use it for 15 minutes.

### The appliance does not run from the mains.

### Make sure the appliance is switched off during charging.

- 1 Insert the appliance plug directly into the appliance (Fig. 2).
- ▶ The charging light on the adapter indicates that the appliance is charging. (Fig. 3)

## Optimising the lifetime of the rechargeable battery

- Do not leave the appliance connected to the mains for more than 24 hours.
- Discharge the battery completely twice a year by letting the motor run until it stops. Then fully recharge the battery.

## Clipping scalp hair

### Preparing for clipping

#### Only use the appliance on dry scalp hair. Do not use it on freshly washed scalp hair.

**1** Make sure that the appliance is fully charged. It is not possible to run the appliance from the mains when the battery is empty.

**2** Make sure that the head of the person whose hair you intend to cut is at the same level as your chest.

This ensures that all parts of the head are clearly visible and within easy reach.

**3** Comb the hair in the direction of growth with the barber's comb.

### Clipping with hair clipping comb

**1** Put the hair clipping comb on the trimming attachment and push it home ('click') (Fig. 4).

**2** Press the hair length selector and slide the comb to the desired setting (see table below). (Fig. 5)

▶ The selected setting appears in the window to the left of the hair length selector.

*Note: When you clip for the first time, start at the highest setting (9) to familiarise yourself with the appliance.*

### Settings of hair clipping comb

Setting	Hair length after clipping
1	2mm
2	4mm
3	6mm
4	8mm
5	10mm
6	12mm
7	14mm
8	16mm
9	18mm

**3** To clip in the most effective way, move the appliance slowly against the direction of hair growth. (Fig. 6)

- Do not move the appliance too fast. Make smooth and gentle movements.
- Make sure that the flat part of the comb is always fully in contact with the scalp to obtain an even result (Fig. 7).

- Make overlapping passes over the head to ensure that all hair that should be cut is cut.
- Pass the appliance slowly over the crown from different directions to achieve an even result (Fig. 8).

**4** Regularly remove the comb to blow and/or shake out hair that has accumulated.

### You have to adjust the clipping length again after you have removed the comb.

## Contouring without hair clipping comb

### Be careful when you clip without comb, because the appliance removes every hair it touches.

**1** To remove the comb, press the hair length selector (1) and slide the comb upwards (2). (Fig. 9)

**2** Use the appliance without the hair clipping comb to contour edges.

- To shape the contours round the ears, tilt the appliance in such a way that only one edge of the trimming attachment touches the hair ends (Fig. 10).

- To contour the nape hairline, hold the appliance with the teeth of the trimming attachment pointing towards the skin. (Fig. 11)

- To contour the sideburns, hold the appliance with the teeth of the trimming attachment pointing towards the skin (Fig. 12).

## Trimming

### Preparing for trimming

**1** Make sure that the hair is dry and clean.

**2** Comb the hair in the direction of growth with the barber's comb.

### Beard trimming with comb

**1** Put the beard trimming comb on the trimming attachment and push it home ('click'). (Fig. 13)

**2** Press the hair length selector and slide it to the desired setting (see table below). (Fig. 14)

▶ The selected setting appears in the window to the left of the hair length selector.

*Note: When you trim for the first time, start at the highest setting (9) to familiarise yourself with the appliance.*

*Note: Using setting 1 with the comb installed results in a 'stubble look'.*

## Settings of beard trimming comb

Setting	Hair length after trimming
1	2mm
2	4mm
3	6mm
4	8mm
5	10mm
6	12mm
7	14mm
8	16mm
9	18mm

**3** To trim in the most effective way, move the appliance slowly against the direction of hair growth. (Fig. 15)

Do not move the appliance too fast. Make smooth and gentle movements and make sure the surface of the comb always stays in contact with the skin.

**4** Regularly remove the comb to blow and/or shake out hair that has accumulated.

### You have to set the trimming length again after you have removed the comb!

## Beard trimming without comb

Trimming without the comb results in a very short stubble beard.

**1** To remove the comb, press the hair length selector (1) and slide the comb upwards (2) (Fig. 16).

Never pull at the flexible top of the comb. Always pull at the bottom part.

**2** Make well-controlled movements and touch your beard only lightly with the trimming attachment.

## Defining beard, moustache and sideburns

**1** To remove the comb, press the hair length selector (1) and slide the comb upwards (2) (Fig. 16).

**2** Press the release button (1) and pull the trimming attachment off the appliance (2). (Fig. 17)

**3** Put the precision attachment on the appliance ('click'). (Fig. 18)

▶ Hold the appliance upright when you use the precision attachment. (Fig. 19)

## Trimming facial hair (nose hair, ear hair and eyebrows)

- 1 To remove the comb, press the hair length selector (1) and slide the comb upwards (2) (Fig. 16).
- 2 Press the release button (1) and pull the trimming attachment off the appliance (2). (Fig. 17)
- 3 Put the nose/ear/eyebrow attachment on the appliance (Fig. 20).

### Trimming nose hair

- 1 Make sure your nostrils are clean.
- 2 Switch on the appliance and insert the tip of the attachment into one of your nostrils. (Fig. 21)

Do not insert the tip more than 0.5cm into your nostril.

- 3 Slowly move the tip in and out and turn it round at the same time to remove unwanted hair. To reduce the tickling effect, make sure that the side of the tip is firmly pressed against the skin.

### Trimming ear hair

- 1 Clean the outer ear channel. Make sure it is free from wax.
- 2 Switch on the appliance and move the tip softly round the ear to remove hairs that stick out beyond the rim of the ear. (Fig. 22)
- 3 Carefully insert the tip into the outer ear channel. (Fig. 23)

Do not insert the tip more than 0.5cm into the ear channel, as this could damage the eardrum.

### Trimming eyebrows

Use the tip to cut individual eyebrow hairs. Do not use the appliance to define or trim the entire eyebrow.

Never try to trim your eyelashes. Never come too close to your eyes!

- 1 Place the tip of the attachment on the upper edge of the eyebrow.
- 2 Move it along the edge of the eyebrow from the base of the nose towards the outer tip of the eyebrow. (Fig. 24)

## Shaving

### Shaving with the micro shaver attachment

Before you use the micro shaver attachment, always check it for damage or wear. If the foil or cutter is damaged or worn, do not use the attachment as injury may occur. Replace the foil or the cutter before you use the attachment again.

- 1 Put the micro shaver attachment on the appliance. (Fig. 25)
- 2 Gently press the micro shaver attachment onto the skin.

Do not press too hard.

- 3 Shave along contoured edges to remove any stubble and to create a smooth, well-defined beard line.

## Cleaning

Do not clean the appliance with water or a moist cloth.

Never use scouring pads, abrasive cleaning agents or aggressive liquids such as alcohol, petrol or acetone to clean the appliance.

- 1 Make sure the appliance is switched off and disconnected from the mains.
- 2 Remove the comb and/or attachment.
- 3 Separate the top part of the micro shaver attachment from its body (Fig. 26).

Avoid touching the shaving foil, as it is very delicate.

Do not clean the foil with the brush, as this can cause damage.

- 4 Blow and/or shake out any hair that has accumulated in the attachment.
- 5 Clean the outside and inside of the attachment with the brush supplied. (Fig. 27)
- 6 Place the attachment back onto the appliance.

## Replacement

Only replace worn or damaged attachments or combs with original Philips replacement attachments or combs, that are available from your dealer or an authorised Philips service centre. If you have any difficulties obtaining replacement attachments or combs for your appliance, contact the Philips Consumer Care Centre in your country or consult the worldwide guarantee leaflet.

## Environment

- Do not throw away the appliance with the normal household waste at the end of its life, but hand it in at an official collection point for recycling. By doing this, you help to preserve the environment (Fig. 28).
- The built-in rechargeable battery contains substances that may pollute the environment. Always remove the battery before you discard and hand in the appliance at an official collection point. Dispose of the battery at an official collection point for batteries. If you have trouble removing the battery, you can also take the appliance to a Philips service centre. The staff of this centre will remove the battery for you and will dispose of it in an environmentally safe way. (Fig. 29)

### Disposal of the battery

- 1 Remove the adapter from the wall socket and pull the appliance plug out of the appliance.
- 2 Let the appliance run until the motor stops.
- 3 Insert a screwdriver in the groove next to the shaft at the top of the appliance. Turn the screwdriver to separate the two housing halves. (Fig. 30)
- 4 Lift the battery out of the housing with a screwdriver. Twist the connecting wires until they break (Fig. 31).

Do not connect the appliance to the mains again you have removed the battery.

## Guarantee & service

If you need service or information or if you have a problem, please visit the Philips website at [www.philips.com](http://www.philips.com) or contact the Philips Consumer Care Centre in your country (you find its phone number in the worldwide guarantee leaflet). If there is no Consumer Care Centre in your country, go to your local Philips dealer.