



BC

ENGLISH

IMPORTANT SAFETY INSTRUCTIONS

When using an electric product, basic precautions should always be followed, including the following:

Read all instructions before using this product.

DANGER

To reduce the risk of electric shock:

- Do not reach for a corded product that has fallen into water. Unplug immediately.
- Use product only in dry condition. Do not use while bathing or in a shower.
- Do not place or store the product where it can fall or be pulled into a tub or sink. Do not place or drop the product in water or other liquid.
- Always unplug this product from the electrical outlet immediately after use, except when product is (re) charging.
- Unplug and remove power supply cord from this product before cleaning.
- The batteries used in this product may present a fire or chemical burn hazard if mistreated. Do not disassemble, heat above 100°C (212°F) or incinerate.

WARNING

To reduce the risk of burns, fire, electric shock, or injury to persons:

- Close supervision is required when this product is used by, on, or near children, or persons with limited physical, sensory, or mental capabilities or invalids.
- Use this product only for its intended use as described in this manual. Do not use attachments not specified by Philips Electronics North America Corporation.

- Never operate this product if it has a damaged power cord, if it is not working properly, after it has been dropped or damaged, or dropped into water while plugged in. For assistance call 1-800-243-3050.
- Never immerse the product in water or rinse under the tap.
- Keep the product, power cord and any attachments away from heated surfaces.
- Never drop or insert any object into any opening.
- Do not use the adapter in or near a power outlet that contains an electric air freshener to prevent damage to the power cord.
- Do not operate, charge, clean or plug in product outdoors or operate where aerosol (spray) products are being used or where oxygen is being administered.
- Always check cutters, cutting unit and guards before using the product. Do not use the product if cutters, cutting unit or guards are damaged, as injury may occur.
- Always attach power cord to product first, then to power outlet. Be certain plug is inserted firmly into product up to mark indicated on plug. To disconnect, turn product off then remove power cord from outlet.
- Keep the power cord dry at all times. Do not handle with wet hands.
- Never put the product in direct sunlight or store at a temperature above 140°F (60°C).
- To prevent possible damage to the power cord, do not wrap power cord around the product.
- This product is for use on human hair only. Do not use the product for any other purpose.
- Always store the product, attachments and power cord in a moisture-free area. Make sure the cord is disconnected from the product.
- Do not attempt to open the product to remove/replace the built-in rechargeable battery.
- Only use the power cord and other accessories supplied with the product.

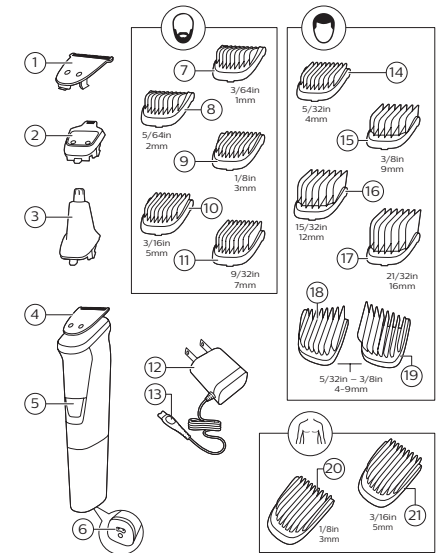
SAVE THESE INSTRUCTIONS

IMPORTANT: The power plug contains a transformer. Do not cut off the power plug to replace it with another plug as this will cause a hazardous condition.

Introduction

Congratulations on your purchase and welcome to Philips Norelco! To fully benefit from the support that Philips Norelco offers, register your product at www.norelco.com/register.

1



General description (Fig. 1)

- 1 Extra-wide hair trimmer
- 2 Precision trimmer
- 3 Nose trimmer
- 4 Full-size hair trimmer
- 5 On/off button
- 6 Socket for small plug
- 7 Stubble guard 3/64in. (1mm)
- 8 Stubble guard 5/64in. (2mm)
- 9 Beard guard 1/8in. (3mm)
- 10 Beard guard 3/16in. (5mm)
- 11 Beard guard 9/32in. (7mm)
- 12 Power plug
- 13 Small plug
- 14 Hair guard 5/32in. (4mm)

Manufactured for:
Philips Consumer Lifestyle
A division of Philips Electronics
North America Corporation
P.O. Box 10313, Stamford, CT 06904

This symbol on the product's nameplate means it is listed by Underwriters' Laboratories, Inc.

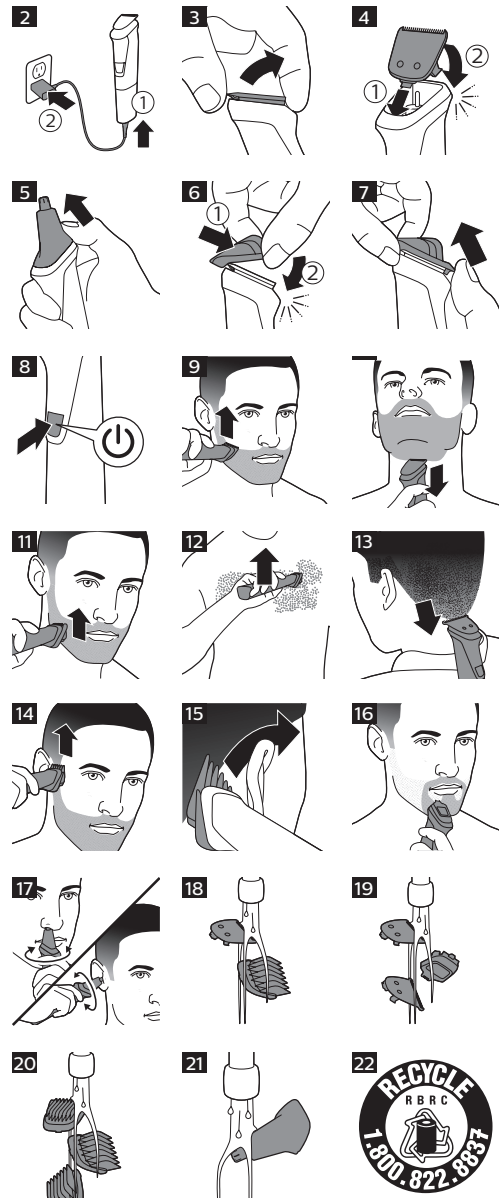
Norelco is a registered trademark of Philips Electronics North America Corporation.

PHILIPS and Philips shield are registered trademarks of Koninklijke Philips N.V.

©2017 Philips Electronics North America Corporation. All rights reserved.



- 15 Hair guard 3/8in. (9mm)
- 16 Hair guard 15/32in. (12mm)
- 17 Hair guard 21/32in. (16mm)
- 18 Fading hair guard 5/32in.-3/8in. (4-9mm)
- 19 Fading hair guard 5/32in.-3/8in. (4-9mm)
- 20 Body guard 1/8in. (3mm)
- 21 Body guard 3/16in. (5mm)
- Not shown: cleaning brush, pouch



Charging

When the product has charged for 1 hour, it has a cordless operating time of up to 3 hours.

- Charging, recharging or using the product at temperatures below 40°F (4,5°C) or higher than 95°F (35°C) adversely affects the lifespan of the battery.
 - If the product is subjected to a major change in temperature, pressure or humidity, let the product acclimatize for 30 minutes before use.
- 1 Make sure the product is switched off.
 - 2 Insert the small plug into the product and put the power plug in any 120V AC outlet (Fig. 2).
 - 3 After charging, remove the power plug from the wall outlet and pull the small plug out of the product.

Note: An adapter plug may be necessary for cord usage in some foreign countries. Use an attachment plug adapter of the proper configuration for power outlet.

Quick charge

After approx. 5 minutes of charging, the product contains enough power for one cordless trimming session.

Using the product

Always check the product and all accessories before using. Do not use the product or any accessory if it is damaged, as this may cause injury. Always replace a damaged part with one of the original type.

Note: This product can be used without cord or directly from the power outlet.

Note: Switch off and clean the product and attachments after each use.

- Use this product for its intended household use as described in this manual.
- For hygienic reasons, the product should only be used by one person.
- Trimming is easier when the skin and hair are dry.
- Be careful when trimming without a guard as when the product is turned on it will trim every hair it touches.

Detaching and attaching cutting elements

- 1 To detach a cutting element, push upwards against the teeth of the cutting element and take it off the handle (Fig. 3).

- 2 To attach a cutting element, insert the lug of the cutting element into the guiding slot at the front and push the back of the cutting element onto the product ('click') (Fig. 4).

Detaching the nose trimmer

- 1 Place your finger on the arrow at the back of the attachment and push it off the handle in the direction of the arrow (Fig. 5).

Attaching and detaching guards

- 1 To attach any type of guard onto a cutting element, slide the front part of the guard onto the teeth and push the projection at the back of the guard into the product ('click') (Fig. 6).
- 2 To detach any type of guard from the cutting element, carefully pull its back part off the product and then slide it off the cutting element (Fig. 7).

Note: When trimming for the first time, start by using the guard with the maximum trimming length setting to familiarize yourself with the product.

Switching the product on and off

- 1 Press the on/off button once to turn the product on or off (Fig. 8).

Attachments for use on beard

Full-size hair trimmer

Use the full-size hair trimmer without a guard to trim hair close to the skin (to a length of 1/32in. (0.5mm)) or to create clean lines around your beard, neck and sideburns.

- 1 To trim hair close to the skin, place the flat side of the cutting element against your skin and make strokes against the direction of hair growth (Fig. 9).
- 2 For contouring, hold the cutting element perpendicular to the skin and move it upwards or downwards with gentle pressure (Fig. 10).

Beard guards

Attach a beard guard to the full-size hair trimmer to trim your beard and moustache evenly. The product comes with 5 beard guards. The hair length settings are indicated on the guards. The settings correspond to the remaining hair length after trimming.

Guard	inch	mm
Stubble guard	3/64in.	1mm
Stubble guard	5/64in.	2mm
Beard guard	1/8in.	3mm
Beard guard	3/16in.	5mm
Beard guard	9/32in.	7mm

- 1 Attach the guard to the full-size hair trimmer.
- 2 To trim the most effective way, move the guard against the direction of hair growth (Fig. 11). Make sure the surface of the guard always stays in contact with the skin.

Attachments for use on body

- Use the green body guards to trim body hair.
- When you trim for the first time, use the 5mm/3/16in. body guard to familiarize yourself with the product.
- Make sure hair is clean and dry as wet hair tends to stick to the body and, when trimming sensitive areas, always use a body guard.
- Since all hairs do not grow in the same direction, you may want to try different trimming positions (i.e. upwards, downwards, or across). Practice is best for optimum results.
- Always make smooth and gentle movements and be sure the surface of the guard always stays in contact with your skin.
- When too many hairs have accumulated on the product, blow the hairs out before use, for best trimming results.

Body guards

Attach a body guard to the full-size hair trimmer to trim hairs below the neckline. The product comes with 2 body guards. The hair length settings are indicated on the guards. The settings correspond to the remaining hair length after trimming.

Guard	inch	mm
Body guard (green)	1/8in.	3mm
Body guard (green)	3/16in.	5mm



- 1 Attach a body guard to the full-size hair trimmer (see 'Attaching and detaching guards').
- 2 To trim in the most effective way, stretch the skin with your free hand and move the guard against the direction of hair growth (Fig. 12). Make sure the surface of the guard always stays in contact with the skin.

Attachments for use on head

Extra-wide hair trimmer

Use the extra-wide hair trimmer without a guard to clip the hair on your head very close to the skin (1/32in (0.5mm) or to contour the neckline and area around the ears.

- 1 To contour the hairline around the ears, comb the hair ends over the ears.
- 2 Tilt the product in such a way that only one edge of the cutter blades touches the hair ends when you shape the contours around the ears.
- 3 To contour the nape of the neck or sideburns, turn the product and make downward strokes (Fig. 13).
- 4 Move the product slowly and smoothly following the natural hairline.

Hair guards

Attach a hair guard to the extra-wide hair trimmer to evenly trim the hairs on your head. The product comes with 4 hair guards. The hair length settings are indicated on the guards. The settings correspond to the remaining hair length after trimming.

Guard	inch	mm
Hair guard	5/32in.	4mm
Hair guard	3/8in.	9mm
Hair guard	15/32in.	12mm
Hair guard	21/32in.	16mm

- 1 Attach a guard to the extra-wide hair trimmer.
- 2 Move the trimmer slowly over the crown from different directions to achieve an even result. Make sure the surface of the guard always stays in contact with the skin.
 - Always move the trimmer against the direction of hair growth (Fig. 14). Press lightly.
 - Make overlapping passes over the head to ensure that all hair that should be cut has been cut.

Fading hair guard

Attach the fading hair guards to the extra-wide hair trimmer to trim the hair around the ears with a faded result. The product comes with 2 guards. Use both guards to trim hair around both ears. Choose a hair guard based on the preferred trimming direction of back to front or front to back. Always make sure that you hold the side of the guard with the short teeth closest to your ear.

Guard	inch	mm
Fading hair guards	5/32in. - 23/64"	4-9mm

- 1 Attach the guard to the extra-wide hair trimmer to trim the hair around the ear. Then attach the other guard to trim the hair around the other ear.
- 2 Place the product on your hair at the back or front of your ear, depending on the trimming direction you prefer. Always make sure that the side of the guard with the short teeth is closest to your ear.
- 3 Move the trimmer slowly around the ear, while holding it steady (Fig. 15). For best results, move the trimmer against the direction of hair growth (back to front).

Precision attachments for use on face

Precision trimmer

Use the precision trimmer to create fine lines and contours around your facial style, close to the skin (to a length of 1/32in (0.5mm)).

- 1 Hold the precision trimming head perpendicular to the skin and move the trimming head upwards or downwards with gentle pressure (Fig. 16).

Nose trimmer

Use the nose trimmer to trim your nose hair and ear hair.

- Make sure nasal passages are clean. Make sure outer ear channels are clean and free from wax.
- Do not insert the tip more than 3/16in (0.5cm).
- Always clean the attachment after each use.

Trimming nose hair

- 1 Gently move the tip in and out of nose while turning it around to remove unwanted hairs (Fig. 17).

Trimming ear hair

- 1 Slowly move the tip round the ear to remove hairs that stick out beyond the rim of the ear.
- 2 Gently move the tip in and out of the outer ear channel to remove unwanted hairs (Fig. 17).

Cleaning

Do not rinse the handle under the tap, only the attachments can be rinsed under the tap.

Never use scouring pads, abrasive cleaning agents or aggressive liquids such as gasoline or acetone to clean the product.

Never dry the trimmer teeth with a towel or tissue, as this may damage the trimmer teeth.

Cleaning after every use

- 1 Turn off the product and disconnect from the power outlet.
- 2 Remove any guard (see 'Attaching and detaching guards') or cutting element (see 'Detaching and attaching cutting elements') from the product.
- 3 Remove any hairs that have accumulated in the hair chamber with the cleaning brush supplied.
- 4 Clean the cutting element and guard under a warm tap (Fig. 18).

The handle is not suitable for cleaning under the tap.

- 5 Carefully shake off excess water and let all parts air dry completely.

Thorough cleaning

- 1 Turn off the product and disconnect from the power outlet.
- 2 Wipe the handle of the product with a dry cloth.
- 3 Remove any guard (see 'Attaching and detaching guards') or cutting element (see 'Detaching and attaching cutting elements') from the product.
- 4 Remove any hairs that have accumulated in the hair chamber with the cleaning brush supplied.
- 5 Remove any hairs that have accumulated in the cutting elements and/or guards with the cleaning brush supplied.
- 6 Clean the cutting elements under a warm tap (Fig. 19).

The handle is not suitable for cleaning under the tap.

- 7 Clean the guards under a warm tap (Fig. 20).
- 8 Carefully shake off excess water and let all parts air dry completely.

Cleaning the nose trimmer

Clean the nose trimmer immediately after use and when a lot of hair or dirt has accumulated on the nose trimmer head.

- 1 Rinse the nose trimmer head with hot water (Fig. 21).
- 2 Turn on the product and rinse the nose trimmer head once more to remove any remaining hairs. Then turn off the product again.

For a thorough clean, immerse the nose trimmer head in a bowl with warm water for a few minutes and then turn on the product to remove stubborn hair/debris.

Hold the appliance upside down and make sure the handle does not get wet during this process.

- 3 Carefully shake off excess water and let all parts air dry completely.

This product has no other user-serviceable parts. For assistance call 1-800-243-3050.

Storage

- Store the product in the pouch supplied. Make sure the product is dry before you store it in the pouch.
- Be sure the product is turned off. Remove cord from outlet and the product before storing it in a safe, dry location where it will not be crushed, banged, or subject to damage.
- Do not wrap cord around the product when storing.
- Store cord in a safe location where it will not be cut or damaged.
- Do not place or store the product where it can fall or be pulled into a tub or sink, water or other liquid while plugged in.

Accessories

Replacement parts and accessories may be purchased at a store near you or on our website www.philips.com/store.

Assistance

For assistance, visit our website:

www.philips.com/support or call toll free 1-800-243-3050.

Online information is available 24 hours a day, 7 days a week.

Disposal

- This product contains a rechargeable lithium-ion battery which must be disposed of properly (Fig. 22). Contact your local town or city officials for battery disposal information. You can also call 1-800-822-8837 or visit www.call2recycle.org for battery drop-off locations.
- For assistance, visit our website www.philips.com/support or call 1-800-243-3050 toll free.
- Your product is designed and manufactured with high quality materials and components, which can be recycled and reused. For recycling information, please contact your local waste management facilities or visit www.recycle.philips.com

Full Two-Year Warranty

Philips Electronics North America Corporation warrants this new product (except cutters and guards) against defects in materials or workmanship for a period of two years from the date of purchase, and agrees to repair or replace any defective product without charge.

IMPORTANT: This warranty does not cover damage resulting from accident, misuse or abuse, lack of reasonable care, the affixing of any attachment not provided with the product or loss of parts or subjecting the product to any but the specified voltage or batteries.*

NO RESPONSIBILITY IS ASSUMED FOR ANY SPECIAL, INCIDENTAL OR CONSEQUENTIAL DAMAGES.

In order to obtain warranty service, simply go to www.philips.com/norelco or call 1-800-243-3050 for assistance.

It is suggested that for your protection you return shipments of product by insured mail, insurance prepaid. Damage occurring during shipment is not covered by this warranty.

NOTE: No other warranty, written or oral, is authorized by Philips Electronics North America Corporation.

This warranty gives you specific legal rights, and you may also have other rights which vary from state to state. Some states do not allow the exclusion or limitation of incidental or consequential damages, so the above exclusion and limitations may not apply to you.

*Read enclosed instructions carefully.

45-DAY MONEY-BACK GUARANTEE

If you are not fully satisfied with your product send the product back and we'll refund you the full purchase price.

The product must be shipped prepaid by insured mail, insurance prepaid, have the original sales receipt, indicating purchase price and date of purchase, and the money-back guarantee return authorization form enclosed.

We cannot be responsible for lost mail.

The product must be postmarked no later than 45 days after the date of purchase.

Philips reserves the right to verify the purchase price of the product and limit refunds not to exceed suggested retail price.

To obtain money-back guarantee return authorization form, call 1-800-243-3050 for assistance.

Delivery of refund check will occur 6-8 weeks after receipt of returned product.