

QC5390



PHILIPS

PHILIPS

产品 : 飞利浦多功能造型理容组合
 型号 : QC5390
 额定电压 : 220V~
 额定频率 : 50Hz
 额定输入功率 : 9W
 生产日期 : 请见产品本体
 产地 : 匈牙利

飞利浦电子香港有限公司
 香港新界沙田香港科学园科技道东五号

经销单位: 飞利浦(中国)投资有限公司
 上海市天目西路218号1602-1605
 全国顾客服务热线: 4008 800 008

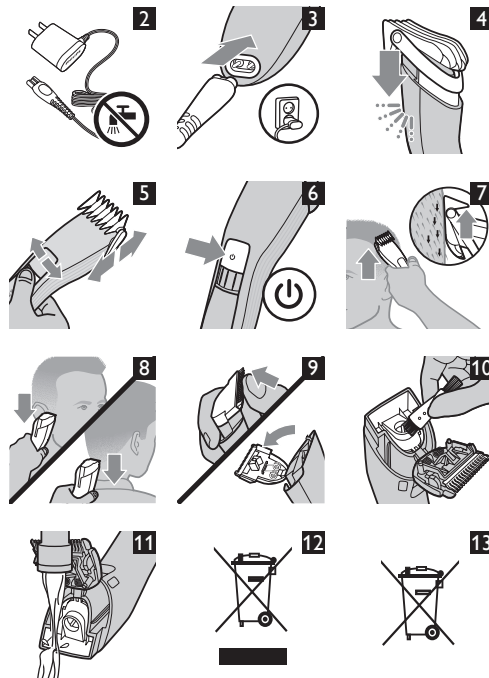
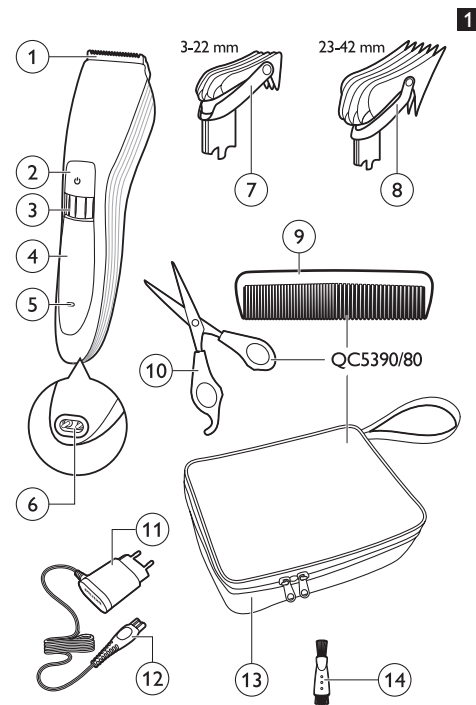
本产品根据国标 GB4706.1-2005, GB4706.9-2008
 制造

请妥善保管本使用说明书
 发行日期: 23/01/2013

100% recycled paper
 100% papier recyclé
 100% 循环再造纸

4222.002.8369.1

www.philips.com



ENGLISH

Introduction

Congratulations on your purchase and welcome to Philips! To fully benefit from the support that Philips offers, register your product at www.philips.com/welcome.

General description (Fig. 1)

- 1 Cutting element
- 2 On/off button
- 3 Zoom wheel
- 4 Handle
- 5 Charging light
- 6 Socket for appliance plug
- 7 Small comb
- 8 Large comb
- 9 Barber comb (QC5390/80 only)
- 10 Scissors (QC5390/80 only)
- 11 Adapter
- 12 Appliance plug
- 13 Pouch (QC5390/80 only)
- 14 Cleaning brush

Important

Read this user manual carefully before you use the appliance and save it for future reference.

Danger

- Make sure the adapter does not get wet (Fig. 2).

Warning

- Check if the voltage indicated on the adapter corresponds to the local mains voltage before you connect the appliance.
- The adapter contains a transformer. Do not cut off the adapter to replace it with another plug, as this causes a hazardous situation.
- This appliance is not intended for use by persons (including children) with reduced physical, sensory or mental capabilities, or lack of experience and knowledge, unless they have been given supervision or instruction concerning use of the appliance by a person responsible for their safety.
- This appliance is not intended for use by children. Children should be supervised to ensure that they do not play with the appliance.
- Always check the appliance before you use it. Do not use the appliance if it is damaged, as this may cause injury.

Caution

- Only use the adapter supplied to charge the appliance.

- Use, charge and store the appliance at a temperature between 5°C and 35°C.
- If the adapter is damaged, always have it replaced with one of the original type in order to avoid a hazard.
- If the appliance is subjected to a major change in temperature, pressure or humidity, let the appliance acclimatise for 30 minutes before you use it.
- Do not use the appliance if any of its parts is damaged or broken, as this may cause injury.

Compliance with standards

- This Philips appliance complies with all standards regarding electromagnetic fields (EMF). If handled properly and according to the instructions in this user manual, the appliance is safe to use based on scientific evidence available today.

Preparing for use

Note: You can also use the appliance directly from the mains when the battery is empty.

Charging

Charge the appliance for at least 1 hour before you use it for the first time and after a long period of non-use.

When the appliance is fully charged, it has a cordless operating time of up to 60 minutes. When the charging light lights up orange, the battery is running low (approx. 10 minutes of operating time left) and you need to recharge the appliance.

- 1** Make sure the appliance is switched off.
- 2** Insert the appliance plug into the socket of the appliance and put the adapter in the wall socket (Fig. 3).
 - ▶ The charging light starts flashing green to indicate that the appliance is charging.
 - ▶ When the batteries are fully charged, the charging light lights up green continuously. After 30 minutes the charging light goes out to save energy.

Using the appliance

Clipping with comb

The appliance comes with 2 combs for different hair lengths. The hair length settings are indicated in millimetres on the comb. The settings correspond to the remaining hair length after clipping.

1 Select the comb you want to use.

The small comb cuts the hair to a length of 3mm to 22mm.
The large comb cuts the hair to a length of 23mm to 42mm.

2 Slide the comb straight into the guiding grooves on both sides of the handle ('click') (Fig. 4).

3 To set the comb to the desired setting, turn the zoom wheel to the desired hair length setting (Fig. 5).

- ▶ The display on front of the appliance shows the selected hair length in millimetres after cutting.
- ▶ After 8 seconds, the display goes out to save energy. To activate the display again, turn the zoom wheel or press the on/off button.

Tip: Write down the hair length settings you selected to create a certain hairstyle as a reminder for future clipping sessions.

4 Press the on/off button to switch on the appliance (Fig. 6).

5 Move the appliance through the hair slowly.

Tips

- To clip most effectively, move the appliance against the hair growth direction.
- Since all hair does not grow in the same direction, you need to move the appliance in different directions (upwards, downwards and across).
- Make sure that the flat part of the comb is always fully in contact with the scalp to obtain an even result (Fig. 7).
- Make overlapping passes over the head to ensure that you cut all the hair that needs to be cut.

6 Regularly remove cut hair from the comb.

If a lot of hair has accumulated in the comb, remove the comb from the appliance and blow and/or shake the hair out of it.

Contouring without comb

You can use the appliance without comb to clip hair very close to the skin (0.5mm) or to contour the neckline and the area around the ears.

Be careful when you clip without comb because the cutting element removes every hair it touches.

1 Pull the comb off the appliance.

2 Before you start to contour the hairline around the ears, comb the hair ends over the ears.

3 Press the on/off button to switch on the appliance. (Fig. 6)

4 Tilt the appliance in such a way that only one edge of the cutting element touches the hair ends when you shape the contours around the ears.

Only cut the hair ends. The hairline should be close to the ear.

5 To contour the neckline and sideburns, turn the appliance and make downward strokes (Fig. 8).

Move the appliance slowly and smoothly. Follow the natural hairline.

Cleaning

Clean the appliance every time you have used it with the cleaning brush and with warm water (max. 40°C).

Never use compressed air, scouring pads, abrasive cleaning agents or aggressive liquids such as petrol, acetone or ethereal oils to clean the appliance.

Note: The appliance does not need any lubrication.

1 Switch off the appliance and disconnect it from the mains.

2 Remove the comb from the appliance and clean it with the cleaning brush.

3 Brush the outside of the cutting element.

4 Push the centre top end of the cutting element upwards with your thumb until it opens (Fig. 9).

5 Use the cleaning brush to remove the cut hair (Fig. 10).

6 Clean the appliance under a warm running tap. (Fig. 11)

Replacement

If the adapter is damaged, always have it replaced with one of the original type in order to avoid a hazard.

Only replace a damaged or worn comb with an original Philips replacement comb.
Philips replacement parts (cutting element, combs, handle and adapter) are available from your Philips dealer and authorised Philips service centres.
If you have any difficulties obtaining replacement parts for the appliance, contact the Philips Consumer Care Centre in your country. You find its phone number in the worldwide guarantee leaflet.

Environment

- Do not throw away the appliance with the normal household waste at the end of its life, but hand it in at an official collection point for recycling. By doing this, you help to preserve the environment (Fig. 12).
- The built-in rechargeable batteries contain substances that may pollute the environment. Always remove the batteries before you discard and hand in the appliance at an official collection point for batteries. If you have trouble removing the batteries, you can also take the appliance to a Philips service centre. The staff of this centre will remove the batteries for you and will dispose of them in an environmentally safe way. (Fig. 13)

Removing the rechargeable batteries

Only remove the rechargeable batteries when they are completely empty.

Be careful, the battery strips and housing parts are very sharp.

1 Disconnect the appliance from the mains and let the appliance run until the motor stops.

2 Check if there are any screws in the back or front of the appliance. If so, remove them.

3 Remove the back and/or front panel of the appliance with a screwdriver. If necessary, also remove additional screws and/or parts until you see the printed circuit board with the rechargeable batteries.

4 If necessary, cut the wires to separate the printed circuit board and the rechargeable batteries from the appliance.

Guarantee and service

If you need service or information or if you have a problem, please visit the Philips website at www.philips.com/support or contact the Philips Consumer Care Centre in your country. You find its phone number in the worldwide guarantee leaflet. If there is no Consumer Care Centre in your country, go to your local Philips dealer.

Guarantee restrictions

Cutting units are not covered by the terms of the international guarantee because they are subject to wear:

简体中文

简介

感谢您的惠顾，欢迎光临飞利浦！
为了您能充分享受飞利浦提供的支持，请在 www.philips.com/welcome 上注册您的产品。

基本说明 (图 1)

- 1 修剪部件
- 2 开/关按钮
- 3 缩放轮
- 4 手柄
- 5 充电指示灯
- 6 产品插座接口
- 7 小号梳齿
- 8 大号梳齿
- 9 理发梳 (仅限于 QC5390/80)
- 10 剪刀 (仅限于 QC5390/80)
- 11 适配器
- 12 产品插头
- 13 收纳袋 (仅限于 QC5390/80)
- 14 清洁刷

注意事项

使用本产品之前，请仔细阅读本产品使用说明书，并妥善保管以备日后参考。

危险

- 确保电源适配器干燥。(图 2)

警告

- 在将本产品连接电源前，务必检查当地的电压是否与电源适配器所标电压一致。
- 电源适配器内含有一个变压器。切勿自行更换插头，否则将导致严重后果。
- 肢体不健全、精神有障碍及缺乏相关经验和知识的人(包括儿童)必须在监护人的监督及指导下使用。
- 小孩不宜使用该产品。应照看好儿童，确保他们不玩耍本产品。
- 使用前，请务必检查产品。如果产品损坏，请勿再使用产品，否则可能对人体造成伤害。

注意

- 为产品充电，须用随产品提供的电源适配器。
- 必须在 5 摄氏度至 35 摄氏度之间的温度下使用、存放和为本产品充电。
- 电源软线不能更换，如果软线损坏，此器具(电源适配器)应废弃。如果电源软线已损坏，则必须用原装型号进行更换，以免发生危险。
- 如果产品的使用温度、气压或湿度方面改变较大，应在使用之前让产品适应 30 分钟。

- 一旦产品的任何部件损坏或损毁，请勿再使用产品，否则可能对人体造成伤害。

符合标准

- 这款飞利浦产品符合关于电磁场 (EMF) 的相关标准。据目前的科学证明，如果正确使用并按照本用户手册中的说明进行操作，本产品是安全的。

使用准备

注意：当电池电量耗尽时，您也可以直接插电来使用本产品。

充电

首次使用前和长时间不用之后，请为产品至少充电 1 小时。
当产品充满电时，它可在不接电源的情况下使用长达 60 分钟。
如果充电指示灯呈橙色亮起，则表示电池电量不足（还可以使用约 10 分钟），您需要为产品充电。

- 1 确保产品电源已关闭。
- 2 将产品插头插入产品插座，并将电源适配器插入插座。(图 3)
- ▶ 充电指示灯开始呈绿色闪烁，表示产品正在充电。
- ▶ 电池充满电时，充电指示灯将持续亮起绿灯。30 分钟后，充电指示灯熄灭以节省能源。

使用本产品

使用梳齿修剪头发

本产品随机附送 2 种适合不同头发长度的梳齿。头发长度设定值将以毫米为单位显示在发梳上。设定值对应于修剪后剩余头发的长度。

- 1 选择要使用的梳齿。
小号梳齿可修剪 3 毫米到 22 毫米之间的头发。
大号梳齿可修剪 23 毫米到 42 毫米之间的头发。
- 2 将梳齿直接滑入手柄两侧的导槽中（可听到“咔哒”一声）。(图 4)
- 3 要将修剪梳设置为所需设置，请将缩放轮旋转至所需的长度设置。(图 5)
- ▶ 产品前面的显示屏显示了选定的修剪后头发长度（毫米）。
- ▶ 8 秒钟后，显示屏关闭以节能。要再次激活显示屏，请旋转缩放轮或按开/关按钮。

提示：记下您选择的剪发长度设定，用作未来剪发过程中创造某种发型的参考。

- 4 按开/关按钮启动产品。(图 6)
- 5 将本产品头发上缓慢移动。

提示

- 要获得最大修剪效率，请正对头发发生方向移动本产品。
- 因为头发不会全部以相同的方向生长，您需要以不同的方向移动产品（向上、向下或交叉）。
- 确保梳齿的扁平部分完全接触到头皮，以获得均匀的修剪效果。(图 7)
- 在整个头部重复修剪动作，以确保您剪到所有需要修剪的头发。

6 定期清除梳齿上的碎头发。

如果梳齿中积聚了大量头发，请将梳齿从本产品中取出，然后将头发吹掉和/或甩掉。

不用梳齿的情况下修整轮廓

即使没有梳齿，您也可以使用本产品以非常贴近头皮的距离（0.5 毫米）或紧密贴合颈部周围和双耳附近的皮肤修剪头发。

由于修剪部件会去除接触到的每一根头发，因此在没有梳齿修剪头发时要小心。

- 1 将梳齿从产品中拉出。
- 2 在开始修整耳朵周围的发际线轮廓之前，请先沿发耳朵梳理发梢。
- 3 按开/关按钮启动产品。(图 6)
- 4 修整耳朵周围的轮廓时，倾斜本产品，仅使其修剪部件的一端接触到发根。仅修剪发梢。发线应该紧贴双耳轮廓。

- 5 要紧贴颈部周围和鬓角轮廓，请转动产品并向下修剪。(图 8)
沿着发际线的自然生长线条缓慢、流畅地移动产品。

清洁

每次使用产品后，请用清洁刷和温水（最高 40°C）来清洁本产品。

切勿使用压缩气体、钢丝绒、研磨性清洁剂或腐蚀性液体（例如汽油、丙酮或香精油）来清洁产品。

注意：产品不需要任何润滑。

- 1 关闭产品并断开电源。
- 2 将梳齿从产品上取下，然后用清洁刷进行清洁。
- 3 用刷子清洁修剪部件的外侧。
- 4 用拇指将修剪部件正中间一端向上推，直至其打开。(图 9)
- 5 使用随附的清洁刷去除剪下的头发。(图 10)
- 6 在水龙头下用温水清洁产品。(图 11)

更换

如果适配器已损坏，则务必更换原装型号适配器，以免发生危险。
仅使用原装飞利浦替换修剪梳替换损坏或磨损的修剪梳。
飞利浦替换部件（修剪部件、梳齿、手柄和适配器）可从飞利浦经销商和经授权的飞利浦服务中心获得。
如果您在购买本产品的替换部件时遇到任何困难，请与您所在国家/地区的飞利浦客户服务中心联系（可在全球保修卡中找到飞利浦客户服务中心的电话号码）。

环保

- 弃置产品时，请不要将其与一般生活垃圾堆放在一起；应将其交给官方指定的回收中心。这样做有利于环保。(图 12)
- 内置充电电池含有可能会污染环境的物质。丢弃产品时，一定要将电池取出，并将产品送到官方指定的回收站。到官方指定的电池回收站处理电池。如果您在取出电池时遇到问题，您也可以将产品送至飞利浦维修中心。维修中心的员工会帮您取出电池，并以环保的方式处理它。(图 13)

卸下充电电池

只在充电电池的电量完全用尽时将其取出。

注意，电池带和外壳可能非常锋利。

- 1 断开产品电源并让产品继续运行，直到马达停止。
- 2 检查产品的前面和后面是否有螺丝。如果有，请将其卸下。
- 3 使用螺丝刀卸下产品的后面板和/或前面板。如果必要，也卸下其他螺丝和/或部件，直至您看到带有充电电池的印刷电路板。
- 4 如果必要，剪掉电线以分开印刷电路板，然后从产品取出充电电池。

保修与服务

如果您需要服务或信息，或者有任何疑问，请访问飞利浦网站：www.philips.com/support。您也可与您所在国家/地区的飞利浦客户服务中心联系（可从全球保修卡中找到其电话号码）。如果您所在的国家/地区没有飞利浦客户服务中心，请与当地的飞利浦经销商联系。

保修条款

修剪部件不在国际保修条款的涵盖范围之内，因为修剪部件属于易磨损物品。