

## Storage

Do not wind the mains cord round the appliance.

- 1 Unplug the appliance.
- 2 Put the appliance in a safe place and let it cool down.
- 3 Store the appliance in a safe and dry place. You can also store the appliance by hanging it from its hanging loop.

## Environment

- Do not throw away the appliance with the normal household waste at the end of its life, but hand it in at an official collection point for recycling. By doing this, you help to preserve the environment (Fig. 5).

## Guarantee & service

If you need service or information or if you have a problem, please visit the Philips website at [www.philips.com](http://www.philips.com) or contact the Philips Consumer Care Centre in your country (you find its phone number in the worldwide guarantee leaflet). If there is no Consumer Care Centre in your country, go to your local Philips dealer.

## Troubleshooting

This chapter summarises the most common problems you could encounter with the appliance. If you are unable to solve the problem with the information below, contact the Consumer Care Centre in your country.

Problem	Possible cause	Solution
The appliance does not work at all.	There is a power failure or the socket to which the appliance is connected is not live.	Check if the power supply works. If it does, plug in another appliance to check whether the socket is live.
	The appliance has overheated and switched itself off.	Unplug the appliance and let it cool down for a few minutes. Before you switch on the appliance again, check the grilles to make sure they are not blocked by fluff, hair etc.
	The appliance is not suitable for the voltage to which it is connected.	Make sure that the voltage indicated on the appliance corresponds to the local mains voltage.
	The mains cord of the appliance is damaged.	If the mains cord is damaged, you must have it replaced by Philips, a service centre authorised by Philips or similarly qualified persons in order to avoid a hazard.
The fuse of the electrical circuit to which the appliance is connected blows when I switch on the appliance.	Too much high-power appliances are connected to the same circuit as the hairdryer and are operating at the same time.	Make sure that no other high-power appliances connected to the same circuit are operating at the same time.

TRESemmé.  
USED BY PROFESSIONALS

HP4995/07



PHILIPS



[www.philips.com](http://www.philips.com)

100% recycled paper  
100% papier recyclé

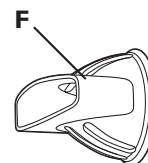
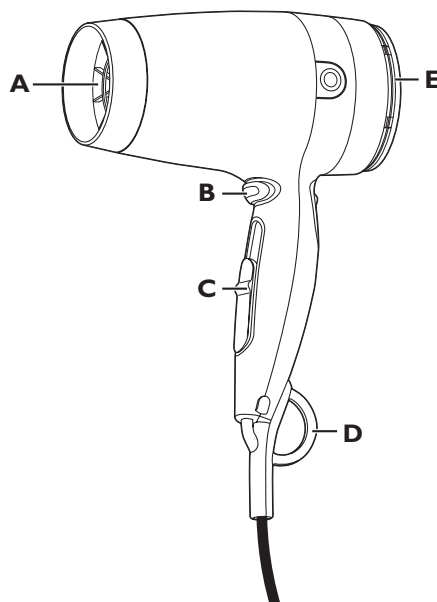
4222.002.7069.1

## Introduction

Congratulations on your purchase and welcome to Philips! To fully benefit from the support that Philips offers, register your product at [www.philips.com/welcome](http://www.philips.com/welcome). This TRESemmé Philips appliance is designed and created to give you the salon styles you want, in a quick and easy way. We hope you enjoy using this TRESemmé Philips hairdryer.

## General description (Fig. 1)

- A** Air outlet grille
- B** Cool shot button
- C** Temperature/airflow slide switch
  - 0 / 0 = Off
  - ● / I = Cool setting with gentle airflow
  - ʒ / II = Warm setting with medium airflow
  - ⌘ / III = Hot setting with strong airflow for ultra-fast drying
- D** Hanging loop
- E** Removable air inlet grille
- F** Concentrator



## Important

Read this user manual carefully before you use the appliance and save it for future reference.

### Danger

- Keep the appliance away from water. Do not use it near or over water contained in baths, washbasins, sinks etc. When you use the appliance in a bathroom, unplug it after use. The proximity of water presents a risk, even when the appliance is switched off.
- Do not insert metal objects into the air grilles to avoid electric shock.

### Warning

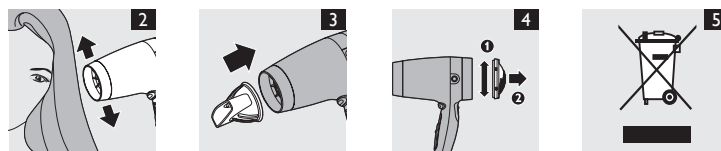
- Check if the voltage indicated on the appliance corresponds to the local mains voltage before you connect the appliance.
- Check the condition of the mains cord regularly. Do not use the appliance if the plug, the mains cord or the appliance itself is damaged.
- If the mains cord is damaged, you must have it replaced by Philips, a service centre authorised by Philips or similarly qualified persons in order to avoid a hazard.
- This appliance is not intended for use by persons (including children) with reduced physical, sensory or mental capabilities, or lack of experience and knowledge, unless they have been given supervision or instruction concerning use of the appliance by a person responsible for their safety.
- Children should be supervised to ensure that they do not play with the appliance.

### Caution

- For additional protection, we advise you to install a residual current device (RCD) in the electrical circuit that supplies the bathroom. This RCD must have a rated residual operating current not higher than 30mA. Ask your installer for advice.
- Never block the air grilles.
- If the appliance overheats, it switches off automatically. Unplug the appliance and let it cool down for a few minutes. Before you switch on the appliance again, check the grilles to make sure they are not blocked by fluff, hair, etc.
- Always switch off the appliance before you put it down, even if it is only for a moment.
- Always unplug the appliance after use.
- Do not wind the mains cord round the appliance.
- You may notice a characteristic odour when you use this hairdryer. This odour is caused by the ions that are generated and is not harmful to the human body.
- Do not use the appliance on artificial hair.
- Do not use this appliance for any other purpose than described in this manual.
- Never use any accessories or parts from other manufacturers or that Philips does not specifically recommend. If you use such accessories or parts, your guarantee becomes invalid.

## Electromagnetic fields (EMF)

This Philips appliance complies with all standards regarding electromagnetic fields (EMF). If handled properly and according to the instructions in this user manual, the appliance is safe to use based on scientific evidence available today.



## Using the appliance

### Drying

- 1** Put the plug in the wall socket.
- 2** Set the temperature/airflow slide switch to the desired setting to switch on the appliance.
  - ● / I = Cool setting with gentle airflow
  - ʒ / II = Warm setting with medium airflow
  - ⌘ / III = Hot setting with strong airflow for ultra-fast drying

*Note:* The appliance is equipped with an automatic ion function to reduce frizz and static hair. The ion function works automatically when the appliance is switched on.

- 3** To dry your hair, make brushing movements with the dryer at a small distance from your hair (Fig. 2).

*Tip:* When you have finished drying each section, press the cool shot button and direct the cool airflow at your hair. This fixes your style and adds shine.

### Concentrator

The concentrator enables you to direct the airflow straight at the brush or comb with which you are styling your hair.

- 1** Snap the concentrator onto the appliance. (Fig. 3)  
To disconnect the concentrator, pull it off the appliance.

## Cleaning

**Never immerse the appliance in water nor rinse it under the tap.**

- 1** Unplug the appliance.
- 2** Clean the outside of the appliance with a dry cloth.
- 3** Turn the air inlet grille anticlockwise until you hear a click (1). Then pull it off the appliance (2) (Fig. 4).
- 4** Remove hairs and dust from the air inlet grille.
- 5** Put the air inlet grille back onto the dryer and turn it clockwise until you hear a click.
- 6** Remove the concentrator from the appliance. Clean the concentrator with a moist cloth or rinse it under the tap.

*Note:* Make sure the concentrator is dry before you reattach it to the appliance.