



## User manual

# PHILIPS



## English

Congratulations on your purchase, and welcome to Philips! To fully benefit from the support that Philips offers, register your product at [www.philips.com/welcome](http://www.philips.com/welcome).

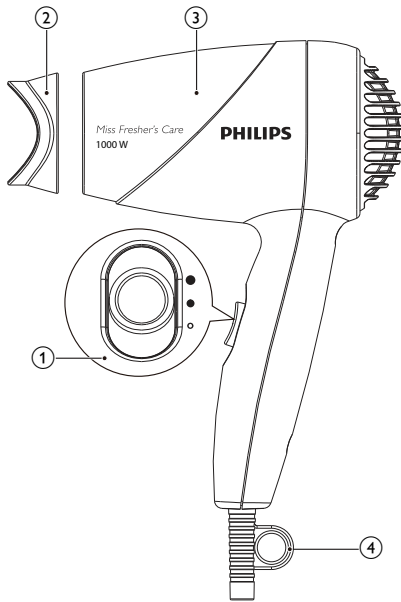
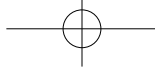
HP8100

### 1 Important

Read this user manual carefully before you use the appliance and keep it for future reference.

- **WARNING:** Do not use this appliance near water.
- When the appliance is used in a bathroom, unplug it after use since the proximity of water presents a risk, even when the appliance is switched off.
- **WARNING:** Do not use this appliance near bathtubs, showers, basins or other vessels containing water.
- Always unplug the appliance after use.
- If the appliance overheats, it switches off automatically. Unplug the appliance and let it cool down for a few minutes. Before you switch the appliance on again, check the grilles to make sure they are not blocked by fluff, hair, etc.
- If the mains cord is damaged, you must have it replaced by Philips, a service centre authorised by Philips or similarly qualified persons in order to avoid a hazard.
- This appliance can be used by children aged from 8 years and above and persons with reduced physical, sensory or mental capabilities or lack of experience and knowledge if they have been given supervision or instruction concerning use of the appliance in a safe way and understand the hazards involved. Children shall not play with the appliance. Cleaning and user maintenance shall not be made by children without supervision.
- For additional protection, we advise you to install a residual current device (RCD) in the electrical circuit that supplies the bathroom. This RCD must have a rated residual operating





- current not higher than 30mA. Ask your installer for advice.
- Do not insert metal objects into the air grilles to avoid electric shock.
  - Never block the air grilles.
  - Before you connect the appliance, ensure that the voltage indicated on the appliance corresponds to the local power voltage.
  - Do not use the appliance for any other purpose than described in this manual.
  - Do not use the appliance on artificial hair.
  - When the appliance is connected to the power, never leave it unattended.
  - Never use any accessories or parts from other manufacturers or that Philips does not specifically recommend. If you use such accessories or parts, your guarantee becomes invalid.

- Do not wind the mains cord round the appliance.
- Wait until the appliance has cooled down before you store it.

### Electromagnetic fields (EMF)

This appliance complies with all standards regarding electromagnetic fields (EMF). If handled properly and according to the instructions in this user manual, the appliance is safe to use based on scientific evidence available today.

### Environment

Your product is designed and manufactured with high quality materials and components, which can be recycled and reused. When this crossed-out wheeled bin symbol is attached to a product it means the product is covered by the European Directive 2012/19/EU.



Please inform yourself about the local separate collection system for electrical and electronic products.

Please act according to your local rules and do not dispose of your old products with your normal household waste. The correct disposal of your old product will help prevent potential negative consequences for the environment and human health.

## 2 Dry your hair

- 1 Connect the plug to a power supply socket.
  - For precise drying, attach the concentrator ( ② ) onto the hairdryer ( ③ ).
  - To disconnect the attachment, pull it off the hairdryer.
- 2 Adjust the airflow switch ( ② ) to ● for hot and strong airflow for thick hair, ● for warm and gentle airflow for drying thin hair, or ○ to switch off.

#### After use:

- 1 Switch off the appliance and unplug it.
- 2 Place it on a heat-resistant surface until it cools down.
- 3 Clean the appliance by damp cloth.
- 4 Keep it in a safe and dry place, free of dust. You can also hang it with the hanging loop ( ④ ).

## 3 Guarantee and service

If you need information e.g. about replacement of an attachment or if you have a problem, please visit the Philips website at [www.philips.com](http://www.philips.com) or contact the Philips Customer Care Centre in your country (you find its phone number in the worldwide guarantee leaflet). If there is no Consumer Care Centre in your country, go to your local Philips dealer.

## 4 Troubleshooting

Problem	Cause	Solution
The appliance does not work at all.	The power socket to which the appliance has been connected may be broken.	Check the appliance is plugged in correctly.
	The appliance may have overheated and switched itself off.	Unplug the appliance and let it cool down for a few minutes. Before you switch on the appliance again, check the grilles to make sure they are not blocked by fluff, hair, etc.
	The appliance may not be suitable for the voltage to which it has been connected.	Adjust the dual voltage switch to match the local power voltage.




## English

Congratulations on your purchase, and welcome to Philips! To fully benefit from the support that Philips offers, register your product at [www.philips.com/welcome](http://www.philips.com/welcome).

### 1 Important

Read this user manual carefully before you use the appliance and keep it for future reference.

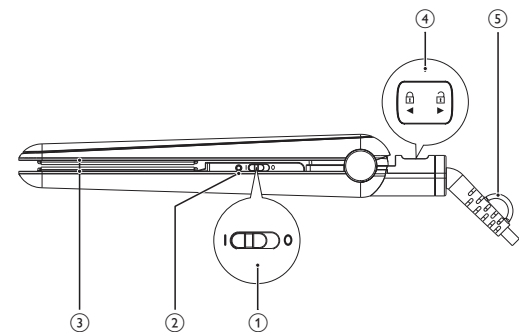
- **WARNING:** Do not use this appliance near water.
- When the appliance is used in a bathroom, unplug it after use since the proximity of water presents a risk, even when the appliance is switched off.
- **WARNING:** Do not use this appliance near bathtubs, showers, basins or other vessels containing water. 
- Always unplug the appliance after use.
- If the mains cord is damaged, you must have it replaced by Philips, a

service centre authorised by Philips or similarly qualified persons in order to avoid a hazard.

- This appliance can be used by children aged from 8 years and above and persons with reduced physical, sensory or mental capabilities or lack of experience and knowledge if they have been given supervision or instruction concerning use of the appliance in a safe way and understand the hazards involved. Children shall not play with the appliance. Cleaning and user maintenance shall not be made by children without supervision.
- Before you connect the appliance, ensure that the voltage indicated on the appliance corresponds to the local power voltage.

- Do not use the appliance for any other purpose than described in this manual.
- When the appliance is connected to the power, never leave it unattended.
- Never use any accessories or parts from other manufacturers or that Philips does not specifically recommend. If you use such accessories or parts, your guarantee becomes invalid.
- Do not wind the mains cord round the appliance.
- Wait until the appliance has cooled down before you store it.
- Pay full attention when using the appliance since it could be extremely hot. Only hold the handle as other parts are hot and avoid contact with the skin.

- Always place the appliance with the stand on a heat-resistant, stable flat surface. The hot heating plates should never touch the surface or other flammable material.
- Avoid the mains cord from coming into contact with the hot parts of the appliance.
- Keep the appliance away from flammable objects and material when it is switched on.
- Never cover the appliance with anything (e.g. a towel or clothing) when it is hot.
- Only use the appliance on dry hair. Do not operate the appliance with wet hands.
- Keep the heating plates clean and free of dust and styling products such as mousse, spray and gel. Never use the



appliance in combination with styling products.

- The heating plates has coating. This coating might slowly wear away over time. However, this does not affect the performance of the appliance.
- If the appliance is used on color-treated hair, the heating plates may be stained. Before using it on artificial hair, always consult their distributor.
- Always return the appliance to a service centre authorized by Philips for examination or repair. Repair by unqualified people could result in an extremely hazardous situation for the user.
- Do not insert metal objects into openings to avoid electric shock.

### Electromagnetic fields (EMF)

This appliance complies with all standards regarding electromagnetic fields (EMF). If handled properly and according to the instructions in this user manual, the appliance is safe to use based on scientific evidence available today.

### Environment

Your product is designed and manufactured with high quality materials and components, which can be recycled and reused. when this crossed-out wheeled bin symbol is attached to a product it means the product is covered by the European Directive 2012/19/EU.

Please inform yourself about the local separate collection system for electrical and electronic products. Please act according to your local rules and do not dispose of your old products with your normal household waste. The correct disposal of your old product will help prevent potential negative consequences for the environment and human health.



## 2 Straighten your hair

- 1 Connect the plug to a power supply socket.
- 2 Slide the on/off switch ( ① ) to I to switch on the appliance.
  - ↳ The power-on indicator ( ② ) lights up.
  - ↳ After 30 seconds, the appliance heats up.
- 3 Slide the closing lock ( ④ ) to unlock the appliance.
- 4 Comb your hair and take a section that is not wider than 5cm for straightening.
- 5 Place it between the straightening plates ( ③ ) and press the handles together.

- 6 Slide the straightener down the length of the hair in a single motion (max. 5 seconds) from root to end, without stopping to prevent overheating.
  - To create flicks, turn the straightener half-circle inwards (or outwards) when it reaches the hair ends. Hold the straightener in that position for 2 to 3 seconds, and then release it.
- 7 After 20 seconds, repeat step 6 until you achieve the desired look.
- 8 To straighten the rest of your hair, repeat steps 4 to 7.

After use:

- 1 Switch off the appliance and unplug it.
- 2 Place it on a heat-resistant surface until it cools down.
- 3 Clean the appliance and straightening plates by damp cloth.
- 4 Lock the straightening plates ( ④ ).
- 5 Keep it in a safe and dry place, free of dust. You can also hang it with the hanging loop ( ⑤ ).

## 3 Guarantee and service

If you need information e.g. about replacement of an attachment or if you have a problem, please visit the Philips website at [www.philips.com](http://www.philips.com) or contact the Philips Customer Care Centre in your country (you find its phone number in the worldwide guarantee leaflet). If there is no Consumer Care Centre in your country, go to your local Philips dealer:



Specifications are subject to change without notice  
© 2013 Koninklijke Philips Electronics N.V.  
All rights reserved.

3140 035 34901

