

HP4675



EN User manual ZH-CN 用户手册

PHILIPS

PHILIPS

产品 : 飞利浦负离子造型梳
型号 : HP4675
额定电压 : 1.5V ==
额定电流 : 150 mA
生产日期 : 请见产品本体
产地 : 中国广东广州

飞利浦(中国)投资有限公司
上海市天目西路218号1602-1605
全国顾客服务热线: 4008 800 008

本产品根据国标GB4706.1-2005,
GB4706.15-2008制造

© 2016 Koninklijke Philips N.V.
保留所有权利

3140 035 41454



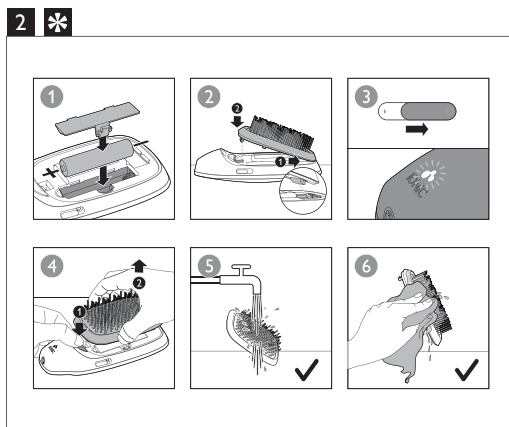
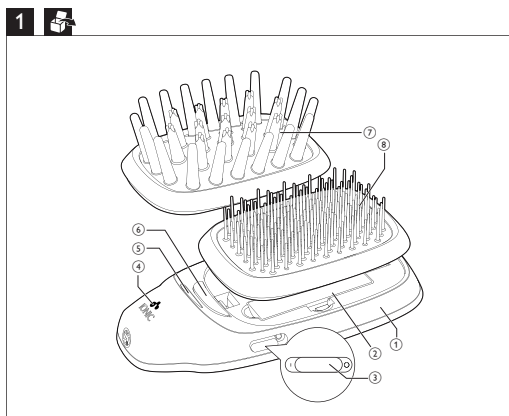
English

Congratulations on your purchase, and welcome to Philips!
To fully benefit from the support that Philips offers, register
your product at www.philips.com.cn/welcome.

1 Important

Read this user manual carefully before you use the
appliance and keep it for future reference.

- **WARNING: Do not use this appliance near water.**
- Never immerse the brush body in water or any other liquid, nor rinse it under the tap.
- Always switch off the appliance after use.
- This appliance can be used by children aged from 8 years and above and persons with reduced physical, sensory or mental capabilities or lack of experience and knowledge if they have been given supervision or instruction concerning use of the appliance in a safe way and understand the hazards involved.
- Children shall not play with the appliance. Cleaning and user maintenance shall not be made by children without supervision.
- Always return the appliance to a service centre authorized by Philips for examination or repair. Repair by unqualified people could result in an extremely hazardous situation for the user.
- Never use any accessories or parts from other manufacturers or that Philips does not specifically recommend. If you use such accessories or



- parts, your guarantee becomes invalid.
- Do not use the appliance for any other purpose than described in this manual.
 - Do not use the appliance on artificial hair.
 - Never block the ion outlet.
 - Do not insert metal objects into the ion outlet to avoid unexpected dangers.
 - Do not use this ion brush together with hairdryer for styling purpose.
 - Do not expose the brush under sunlight for long period of time. The ultraviolet ray may lead to aging in the brush, which the product can break easily.
 - Use and store the appliance at a temperature between 15°C and 35°C.
 - The appliance runs on one 1.5V AAA alkaline battery.
 - Open battery compartment in order to install or remove the battery.
 - The bycharge battery is not rechargeable. Non-rechargeable batteries are not to be recharged.
 - The rechargeable battery must be removed out of the appliance before being charged.
 - Batteries are to be inserted with the correct polarity.
 - Exhausted batteries are to be removed from the appliance and safely disposed of.

- If the appliance is to be stored unused for a long period, the batteries should be removed.
- The supply terminals are not to be short-circuited.

Electromagnetic fields (EMF)

This Philips appliance complies with all applicable standards and regulations regarding exposure to electromagnetic fields.

Environment

Do not throw away the appliance with the normal household waste at the end of its life, but hand it in an official collection point for recycling. By doing this, you help to preserve the environment.

2 Introduction

The new Philips ionic brush kit helps to upgrade your brushing routine in an easy way. By simply changing bristle pad, you may have either smooth and shiny hair with less hair breakage and loss, or have a quick and relaxing scalp massage.

- Ionic care
- Smooth shine ionic brush has built-in ionizer, which generates negative ions and neutralizes positive charge of static electricity. It helps to reduce frizz and bring back shine and smoothness to your hair instantly.

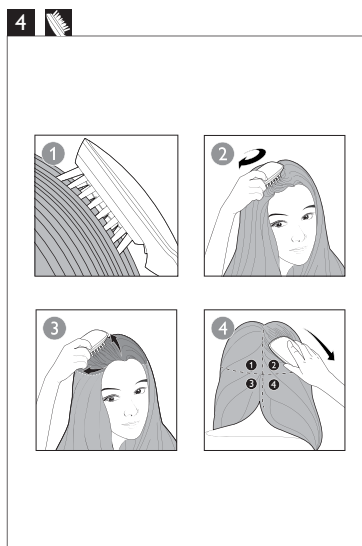
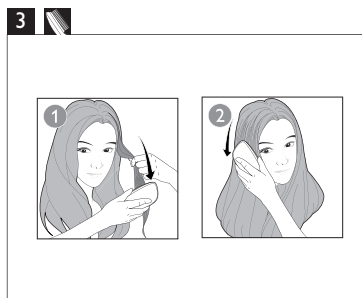
• Smooth brush pad

Smooth brush pad is designed to disentangle more efficiently thanks to its thin, soft and resilient bristles with different lengths. It helps to reduce hair breakage and hair loss significantly, which are normally caused by pulling too hard when combing through the tangled hair. Amazingly, you would find combing experience very much alike caressing that you would not feel a lot of pulling or pain as before, and hair gets reshaped and smoothed faster.

- Massage brush pad
- Massage brush pad is designed for you to have a quick and simple scalp massage. It has soft and thick bristles with micro fingers on tips, which enables wide and gentle touch on scalp. And the concave design follows better contour of head. By massaging 1-2 minutes, you could enhance blood circulation and therefore you would feel more relaxed and refreshed.

3 Overview

- 1 Brush body
- 2 Battery compartment
- 3 Power on/off switch
- 4 Ionic indicator
- 5 Ion outlet
- 6 Brush pad release button
- 7 Massage brush pad
- 8 Smooth brush pad



4 Use your brush

Install and detach the brush pad

- 1 (Fig.2-4) To remove the brush pad, push the release button to detach it.
- 2 (Fig.2-2) To install the brush pad, press it down into the brush body, you will hear a "click" if it is installed correctly.

Install and remove the battery

- We provide with one 1.5V AAAA battery.
- 1 To remove the battery compartment cover, pull it off the appliance.
 - 2 (Fig.2-1) Put the battery in the battery holder.
 - 3 Push the battery compartment cover back onto the appliance (click).

Note

- Make sure that the + and - poles of the battery point in the right direction.
- Make sure that your hands are dry when you insert the battery.
- To avoid damage due to battery leakage, remove the battery if you are not going to use the appliance for a month or more.
- Do not leave empty battery in the appliance.

Brush your hair

- 1 Slide the power on/off switch (Fig.1.③) to O to turn on the appliance.
 - The ionic indicator (Fig.1.④) lights up and ions are automatically and continuously released, reducing frizz and providing additional shine. You may hear a sizzling sound. It's common because it is caused by the ion generator.
- Smooth brush (Fig.1.⑧)**
- Blow dry your wet hair to 80% dry.
 - (Fig.3) Brush from hair roots to tips slowly 2-3 times and your hair would be disentangled effectively.
- Massage brush (Fig.1.⑦)**
- The massaging bristles is most effective on almost dry hair.
 - Brush your hair thoroughly with the smooth brush and make sure there is no tangles.
 - (Fig.4-2) Put the massage brush on your head, move in a circular movement with firm pressure.
 - (Fig.4-3) Brush from your hairline to the top of the head gently to massage your scalp.
 - (Fig.4-4) To massage the back of your head, section your hair into four parts as the bristles will be easier to reach your scalp.
 - Switch to 1 to switch off the appliance.
 - You may hear a sizzling sound. It's common because the ions are not released fully.
- After use:**
- 1 (Fig.2-6) You can use a damp cloth to clean both the brush body and the brush pads.
 - 2 To further clean the brush pads:

- Use your fingers to remove the dust or hair on the brush.
 - (Fig.2-5) Detach the brush pad from the brush body and rinse it under tap water.
- Tips: You can use the toothbrush and soap water to clean the brush if it is stained by your dyed hair.

Note

- Make sure the brush pad is completely dried before re-attaching to the brush body.
- Never use corrosive liquid to clean the brush cushion as it may cause damage to the product.

- 3 Keep it in a safe and dry place or put it in your makeup bag for daily use.

Tips & Tricks

- The ionic brush performs better when the hair is slightly wet. If you wish to use the brush after washing your hair, dry your hair until 80% dry. Over dry your hair may affect the results.
- Take a small strand of hair (3-5cm width) when using the smooth bristle brush to detangle your hair.
- To fix the entangled hair ends, you would better hold the strand of hair and then brush the hair ends without pulling your hair roots until it is smooth and shine.
- For long and dense hair, we suggest to section your hair into parts when using the massage brush so the bristles could fit your head curvature better.
- Always brush with massage brush from hair roots to ends vertically to ensure smooth combing.
- Comb your hair slowly and repeatedly from the root until your hair is smooth. The time to comb varies according to your hair type and length. It is not easy to observe the effect if:
 - you have short or natural curly hair
 - your hair condition is too dry or damaged
 - you have straightening perm within 3 to 4 months
 - you have lots of short newly grown hair
- Apply leave in hair conditioner to your hair after brushing for best result.

5 Guarantee and service

If you need information e.g. about replacement of an attachment or if you have a problem, please visit the Philips website at www.philips.com.cn/support or contact the Philips Customer Care Centre in your country (you find its phone number in the worldwide guarantee leaflet). If there is no Consumer Care Centre in your country, go to your local Philips dealer.

6 Troubleshooting

Problem	Cause	Solution
The appliance does not work.	The battery is exhausted.	Replace the battery.
	You have not placed the battery in the battery compartment correctly.	Put the battery in the compartment in accordance with the + and - indications in the compartment.
	You have not attached the battery compartment cover properly.	Push the battery compartment cover onto the appliance (click).
The ion indicator does not light up	The battery is installed incorrectly. The battery is nearly empty.	Check if the battery is installed with the right pole. Replace with a new battery.

简体中文

感谢您的惠顾, 欢迎光临飞利浦! 为了能充分享受飞利浦提供的支持, 请在 www.philips.com.cn/welcome 上注册您的产品。

1 重要事项

- 使用产品之前, 请仔细阅读本用户手册, 并妥善保管以供日后参考。
- 警告: 请勿在靠近水的地方使用本产品。
 - 不要将梳体浸入水中, 也不要来自来水龙头下冲洗。
 - 使用后, 务必关闭产品电源。
 - 本产品适合由 8 岁或以上年龄的儿童以及肢体不健全、感觉或精神上有障碍或缺乏相关经验和知识的人士使用, 但前提是有有人对他们使用本产品进行监督或指导, 以确保他们安全使用, 并且让他们明白相关的危害。
 - 不得让儿童玩弄本产品。不要让儿童在无人监督的情况下对产品进行清洁和保养。
 - 产品只能送到飞利浦授权的服务中心检修。由不合格人员进行修理可能将用户置于极度危险的境地。
 - 切勿使用其它制造商生产的或未经飞利浦特别推荐的附件或部件。

如果您使用了此类附件或部件，则本产品的保修将会失效。

· 请勿将本产品用于本手册中说明以外的任何其他用途。

· 请勿对假发使用本产品。

· 请勿阻塞负离子排出口。

· 请勿将金属物体插入负离子排出口，避免出现意外危险。

· 请勿将负离子造型梳与电吹风一起使用进行美发造型。

· 请勿将造型梳长时间曝晒于阳光下。紫外线可能导致造型梳老化，造成产品容易折断。

· 建议在 15°C 至 35°C 之间的温度下使用和存放产品。

· 本产品使用一节 1.5 伏 AAA 碱性电池工作。

· 打开电池盖以安装或取出电池。

· 随附的电池为非可充电电池。不可对非可充电电池进行充电。

· 要给可充电电池充电，必须将其从产品中取出。

· 安装电池时需确保极性正确。

· 电池电量耗尽后，应将其从产品中取出并安全地弃置。

· 若长期不使用本产品，应将电池取出。

· 产品的正负极之间不可短路。

电磁场 (EMF)

本飞利浦产品符合所有有关暴露于电磁场的适用标准和法规。

环保

弃置产品时，请不要将其与一般生活垃圾堆放在一起；应将其交给官方指定的回收中心。这样做有利于环保。

2 简介

全新飞利浦负离子梳套装帮助您轻松升级每天梳发的体验。只需更换梳齿垫，就可以轻松梳理打结的头发，打造顺滑亮泽秀发，减少断发；也可进行快速按摩，使头皮放松。

· **负离子养护**

此款负离子美发梳内置离子发生器，有助于产生负离子，中和静电的正电荷。这有助于减少乱发，即时重现顺滑亮泽的秀发。

· **顺滑梳齿垫**

顺滑梳齿垫的梳齿纤细、柔软，有弹性，且长短不一，因此可以更有效地疏通打结的头发。普通梳子常常在疏通缠绕的头发时用力拉扯而造成断发、掉发，此顺滑梳齿可解决以上问题。与众不同的是，您会发现梳头的感觉像是在感受轻抚，没有拉扯或疼痛感，头发会更快地恢复顺滑。

· **按摩梳齿垫**

按摩梳齿垫专为让您享受快速简单的头皮按摩而设计。梳齿柔软且粗大，梳齿顶端还有微型按摩指，可以较大面积轻轻地按摩头皮。内凹式设计更符合头部轮廓。按摩 1 到 2 分钟即可增强血液循环，从而让您感觉到放松且精神焕发。

3 概述

- ① 梳体
- ② 电池仓
- ③ 电源开关
- ④ 负离子指示灯
- ⑤ 负离子排出口
- ⑥ 梳齿垫释放按钮
- ⑦ 按摩梳齿垫
- ⑧ 顺滑梳齿垫

4 使用美发梳

安装和拆卸梳齿垫

1 (图 2-4) 要卸下梳齿垫，请按下列步骤将其拆下。

2 (图 2-5) 要安装梳齿垫，请将其向下按入梳体，如果安装正确，您会听到“咔哒”一声。

安装及移除电池

负离子美发造型梳使用一节 1.5 伏 AAA 碱性电池工作。

我们提供了一节 1.5 伏 AAA 电池。

- 1 取下电池仓盖。
- 2 (图 2-1) 将电池放入电池仓。
- 3 将电池仓盖按回产品上 (可听到“咔哒”一声)。

注意

- 确保电池的 + 和 - 极方向正确。
- 装入电池之时，双手要保持干燥。
- 为了防止因电池漏液而引起的损坏，如果超过一个月不使用本产品，请取出电池。
- 请勿将电量耗尽的电池留在产品中。

梳理头发

1 将电源开关 (图 1, ③) 滑至 O 打开产品。

↳ 负离子指示灯 (图 1, ④) 亮起。负离子将自动持续释放，令秀发更加顺滑、亮泽。您可能会听到啞啞声。这是正常现象，由负离子发生器所致。

顺滑发梳 (图 1, ⑧)

- 将图 3) 从发根开始慢慢梳至发梢 2 到 3 次，轻松解开缠结的头发。

按摩发梳 (图 1, ⑦)

- 按摩梳齿对几乎干燥的头发效果最好。
- 首先用顺滑发梳彻底梳理头发，确保没有头发打结。
- (图 4-2) 将按摩发梳放在头上，稍用力做打圈运动进行按摩。

(图 4-3) 从发际线起轻轻向后梳理，直到头顶来按摩头皮。

(图 4-4) 若要按摩后脑，可将头发分成四个部分，使梳齿更容易接触到头皮，达到按摩的作用。

2 切换到 I 以关闭产品。

↳ 可能还会听到啞啞声。这是正常现象，因为负离子没有完全释放。

使用后：

- 1 (图 2-6) 可以使用湿布清洁梳体和梳齿垫。
- 2 要进一步清洁梳齿垫：
 - 用手指清理造型梳上的灰尘或毛发。
 - (图 2-5) 将梳齿垫卸下，然后用自来水冲洗。

提示：如果梳齿垫被经染色的头发弄脏，可以使用牙刷和肥皂水进行清洗。

注意

- 确保梳齿垫完全干燥后再装回梳体。
- 请勿使用腐蚀性液体清洁梳齿垫，否则可能会损坏产品。

3 将产品存放在安全、干燥的地方或放入化妆包中，便于日常使用。

提示和诀窍

- 负离子美发梳在头发微湿时效果更佳。如果您想要在洗发后使用该美发梳，请将头发吹至 8 成干。头发过干可能会影响效果。
- 使用顺滑梳齿梳理头发时，应取一小缕头发 (3 到 5 厘米宽)。
- 为了解开纠缠的发梢，建议提起发束梳理发梢而不要拉扯发根，直至其顺滑亮泽。
- 对于长而浓密的头发，我们建议在使用按摩发梳时将头发分成几个部分，这样梳齿可以更好地贴合头部弧度。
- 使用按摩发刷时，应从发根垂直梳至发梢，确保顺滑梳理。

· 从发根起反复多次缓慢梳理头发，可使头发变得顺滑。梳理时间因头发类型和长度而异。在以下情况下可能不容易看到效果：

- 您的头发较短或有自然卷
- 您的发质太干或已受损
- 您在 3 到 4 个月内有拉直或卷发
- 有很多新生出的短发

 · 梳理后在头发上使用头发免洗护发素以达到更佳的效果。

5 保修与服务

如果您需要信息 (如有关附件更换的信息)，或者有任何疑问，请访问飞利浦网站：www.philips.com.cn/support。您也可与您所在国家/地区的飞利浦客户服务中心联系 (可从全球保修卡中找到其电话号码)。如果您所在的国家/地区没有飞利浦客户服务中心，请与当地的飞利浦经销商联系。

6 故障排除

问题	原因	解决方法
产品无法工作。	电池电量已耗尽。	更换电池。
	您未将电池正确放入电池仓。	按照电池仓中的 + 和 - 指示将电池装入电池仓。
	您没有正确安装电池仓盖。	将电池仓盖按回产品上 (可听到“咔哒”一声)。
负离子指示灯不亮	电池安装不正确。	检查是否正确极性装入电池。
	电池电量几乎耗尽。	换用新电池。

保留备用

出版日期：2016-06-30

部件名称	产品中有害物质的名称及含量					
	铅 (Pb)	汞 (Hg)	镉 (Cd)	六价铬 (Cr6+)	多溴联苯 (PBB)	多溴二苯醚 (PBDE)
集成电路板	X	O	O	O	O	O

注：O：表示该有害物质在该部件所有均质材料中的含量均在 GB/T 26572 规定的限量要求以下。
X：表示该有害物质至少在该部件的某一均质材料中的含量超出 GB/T 26572 规定的限量要求。

此保用卡在中国通用
用户请保留此卡

保修及服务：

此产品是一件设计精良，用高品质元件制造之家用电器，在正常使用及保养下应能发挥其优越性能。在购买日期后二年内，若发生任何因制造工艺或元器件造成之损坏，飞利浦中国维修服务中心将为用户提供免费上门服务，视情况更换零件或整个产品。

无论在任何国家，只要飞利浦正式销售产品的任何国家皆可获得维修服务。

若飞利浦在当地无行销该产品，飞利浦同样提供维修服务，但可能因未储备所需零件，维修时间可能较长，敬请谅解。请联系当地飞利浦经销商，或飞利浦服务部门。

若您需洽询相关资讯，或因困难事项时，请联系当地飞利浦维修服务中心，或向飞利浦服务热线咨询。

中国顾客服务热线：4008 800 008 (用户需承担本地通话费)。
网址：<http://www.philips.com.cn>

1. 使用不当引起的人为损坏，例如接入不适当电源、使用不适合配件、不适当之安装、不依说明书使用、错误使用或疏忽而造成损坏等，因运输及其他意外而造成之损坏，非经本公司认可之维修和改装。其他因不可抗力 (如自然灾害、电压异常等) 造成的损坏。

2. 一般家庭以外使用 (如工业、商业用) 而造成的损坏。

3. 正常使用引起的产品老化、磨损等，但不影响产品的正常使用。

· 此证仅在中国境内有效。

· 保修证作为在规定时间内及条件之内进行免费维修的保证，并不限制消费者的法定权利。

网上会员注册与产品注册：

- 1) 登陆 <http://www.philips.com.cn/welcome>
- 2) 点击“创建新账户”，创建您的飞利浦账号
- 3) 点击“注册产品”，通过产品名称或产品型号查找产品，完成产品注册

服务须知

需要此产品的售后服务，请拨打服务热线：4008 800 008 在维修服务过程中有任何意见，欢迎致函飞利浦优质服务服务办事处解决疑难。

飞利浦 (中国) 投资有限公司
飞利浦优质服务客户服务中心
中国上海市田林路 888 弄 10 号
飞利浦创新科技园 4 号楼
邮政编码：200233 传真：(021) 5445 2663