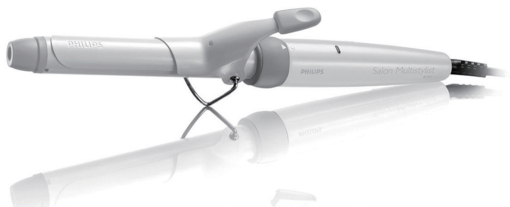


Register your product and get support at
www.philips.com/welcome

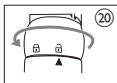
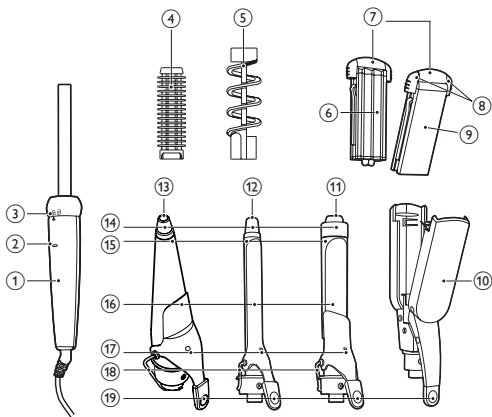
Styler

HP4698/22



EN User manual

PHILIPS



Congratulations on your purchase, and welcome to Philips! To fully benefit from the support that Philips offers, register your product at www.philips.com/welcome.

1 Important

Read this user manual carefully before you use the appliance and keep it for future reference.

- **WARNING:** Do not use this appliance near water.
- When the appliance is used in a bathroom, unplug it after use since the proximity of water presents a risk, even when the appliance is switched off.
- **WARNING:** Do not use this appliance near bathtubs, showers, basins or other vessels containing water.
- Before you connect the appliance, ensure that the voltage indicated on the appliance corresponds to the local power voltage.
- Do not use the appliance for any other purpose than described in this manual.
- Only use the appliance on dry hair. Do not use the appliance on artificial hair.
- When the appliance is connected to the power, never leave it unattended.
- Always unplug the appliance after use.
- When the appliance is hot, keep it on a heat-resistant surface and never cover the appliance with anything, such as a towel or clothing.
- Never use any accessories or parts from other manufacturers or that Philips does not specifically recommend. If you use such accessories or parts, your guarantee becomes invalid.
- Keep the hot surfaces of the appliance away from your skin.
- Do not wind the mains cord round the appliance.



- If you use the appliance on color-treated hair, the straightening plates/curling tongs may stain.
- If the mains cord is damaged, you must have it replaced by Philips, a service centre authorised by Philips or similarly qualified persons in order to avoid a hazard.
- This appliance is not intended for use by persons (including children) with reduced physical, sensory or mental capabilities, or lack of experience and knowledge, unless they have been given supervision or instruction concerning use of the appliance by a person responsible for their safety.
- Children should be supervised to ensure that they do not play with the appliance.
- For additional protection, we advise you to install a residual current device (RCD) in the electrical circuit that supplies the bathroom. This RCD must have a rated residual operating current not higher than 30mA. Ask your installer for advice.

Electromagnetic fields (EMF)

This appliance complies with all standards regarding electromagnetic fields (EMF). If handled properly and according to the instructions in this user manual, the appliance is safe to use based on scientific evidence available today.

Environment

Do not throw away the appliance with the normal household waste at the end of its life, but hand it in an official collection point for recycling. By doing this, you help to preserve the environment.



2 Style your hair

Note: Do not change the attachments or styler when the appliance is heating up or when it is hot. Let the appliance heat up for 5-15 minutes for a perfect straightening result. Do not pull at the curler when you unwind the section, otherwise you would straighten the curl.

Select a suitable attachment and styler for the hairstyle you want.

Hairstyle	Attachment and Styler
Large curls	Large curling attachment (11)
Tight curls	Small curling attachment (12)
Modern free flowing curls	Conical curling attachment (13)
Ringlets	Large curling attachment (11) and Slide-on spiral (5)
Waves	Small curling attachment (12) and Slide-on brush (4)
Crimps	Crimping/straightening attachment (10) and Crimping/straightening plates (7) with the curved sides (6) pointing towards each other
Straight sleek style and flicks	Crimping/straightening attachment (10) and Crimping/straightening plates (7) with the flat sides (9) pointing towards each other

Before you style your hair:

- 1 Slide a suitable attachment onto the handle (1) and turn the ring (3) to lock it (21).
 - To disconnect the attachment, unlock it (20) and pull it off.
- 2 Slide a suitable styler or crimping/straightening plates onto the attachment.

- To remove the crimping/straightening plate, grab the cool tip (8) and pull it off.
- 3 Place the appliance with the support (18) outwards on a heat-resistant surface.
 - 4 Connect the plug to a power supply socket.
 - ↳ The power-on indicator (2) lights up.
 - ↳ When the appliance is ready for use, the ready indicator (17) changes color from red to dark.
 - 5 Comb your hair and divide your hair into small sections that are not wider than 5-6cm.
 - 6 Move the support (18) backwards.

Create curls or ringlets

- 1 Press the lever (19) to open the clip (16) and place a section of hair between the clip and barrel (15).
- 2 Release the lever and slide the barrel to the hair tip.
- 3 Hold the cool tip (14) and the handle, and then wind the section of hair round the barrel from end to root.
 - If you use the attachment with the spiral, wind the section of hair round the barrel following the spiral profile.
- 4 Hold the barrel in the position for max. 15 seconds, and then unwind the section of hair until you can open the clip again with the lever or until you can remove the spiral from your hair.
- 5 To style the rest of your hair, repeat steps 1 to 4.

Create waves

- 1 Wind a section of hair round the brush.
- 2 Hold the barrel in the position for max. 15 seconds, and then unwind the section of hair to remove the brush from your hair.
- 3 To style the rest of your hair, repeat steps 1 to 2.

Create crimps

- 1 Press the lever (19) to open the attachment and place a section of hair between the crimping plates. Start crimping at the roots.
- 2 Release the lever and keep the plates together for 5 to 10 seconds.

- 3 Press the lever to open the attachment and place a lower area of the same section of hair between the plates. Make sure there is an overlap.
- 4 Repeat this process until you have reached the hair tip.
- 5 To style the rest of your hair; repeat steps 1 to 4.

Create straight sleek style and flicks

- 1 Press the lever (19) to open the attachment and place a section of hair between the straightening plates.
- 2 Slide the styler down the length of the hair in a single motion (max. 5 seconds) from root to end, without stopping to prevent overheating.
 - To create the desired type of flick, turn the styler half-circle inwards (or outwards) when it reaches the last 3-5 cm of the hair tip. Hold the styler in that position for 2 to 3 seconds, and then release it.
- 3 After 20 seconds, repeat step 2 until you achieve the desired look.
- 4 To style the rest of your hair; repeat steps 1 to 3.

After use:

- 1 Unplug the appliance.
- 2 Place it on a heat-resistant surface until it cools down.
- 3 Remove hairs and dust from the appliance and attachments.
- 4 Clean the appliance, straightening plates, and curling tongs by damp cloth.
- 5 Keep the appliance in a safe and dry place, free of dust. You can also store the appliance in the supplied storage pouch.

3 Guarantee and service

If you need information e.g. about replacement of an attachment or if you have a problem, please visit the Philips website at www.philips.com or contact the Philips Customer Care Centre in your country (you find its phone number in the worldwide guarantee leaflet). If there is no Consumer Care Centre in your country, go to your local Philips dealer.



© Royal Philips Electronics N.V. 2010
All rights reserved.

Specifications are subject to change without notice.
Trademarks are the property of Koninklijke Philips
Electronics N.V. or their respective owners.

3140 035 22073



100% recycled paper
100% papier recyclé