

PHILIPS

BHH816



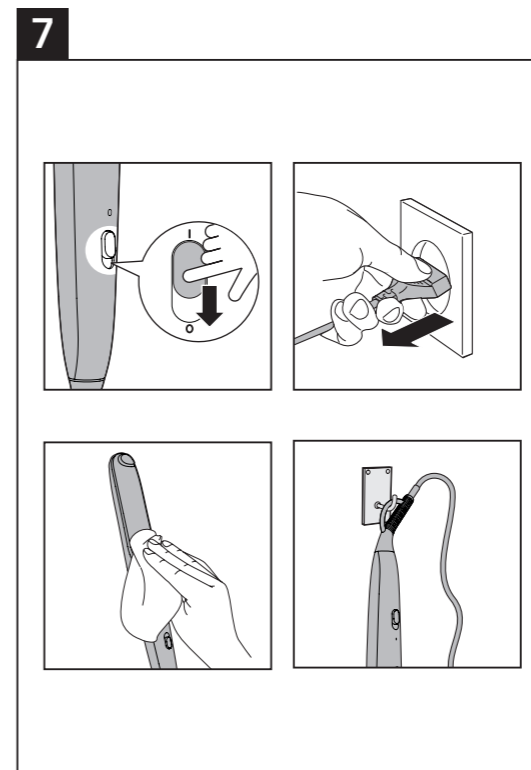
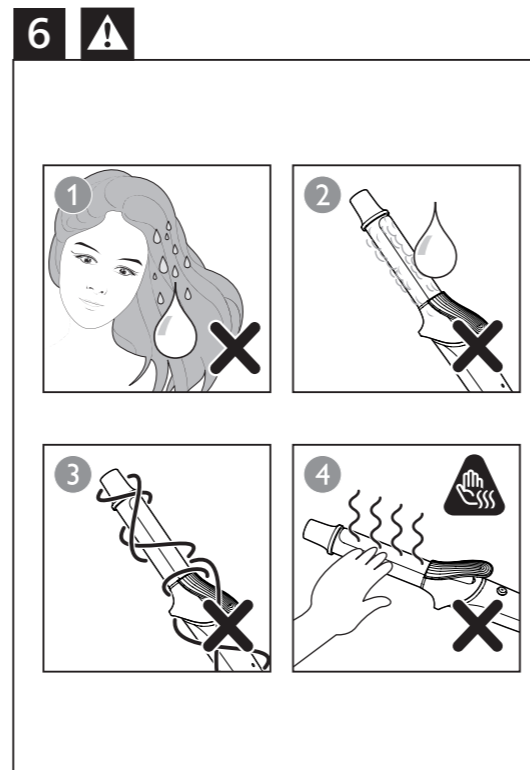
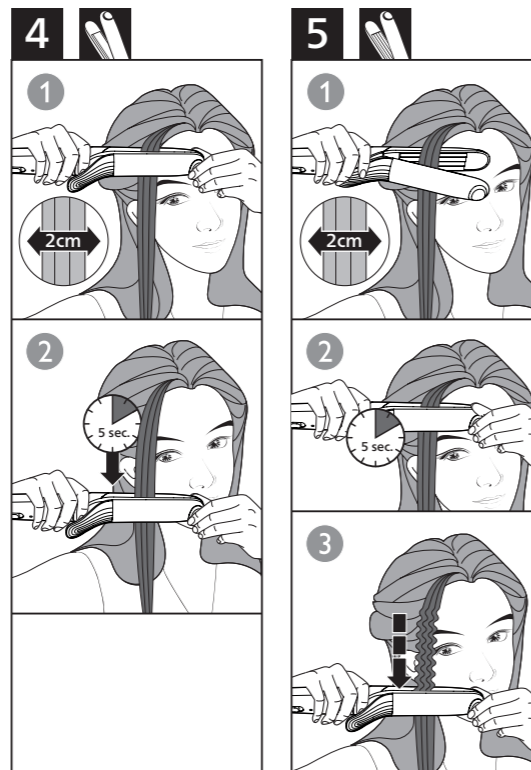
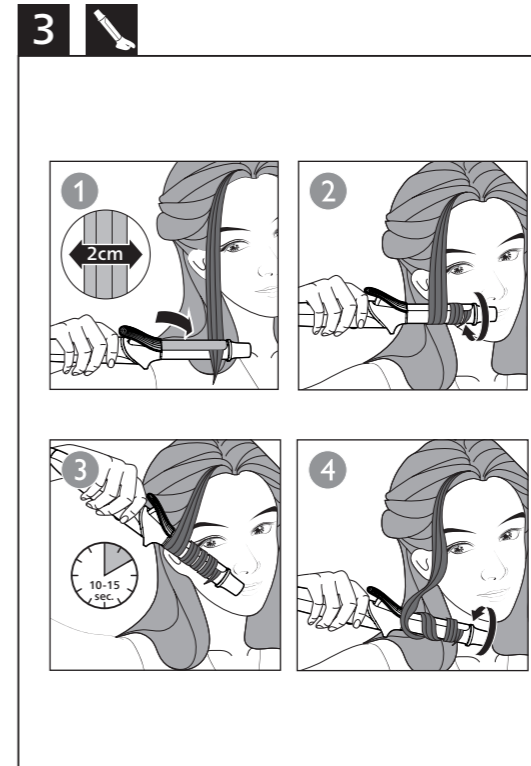
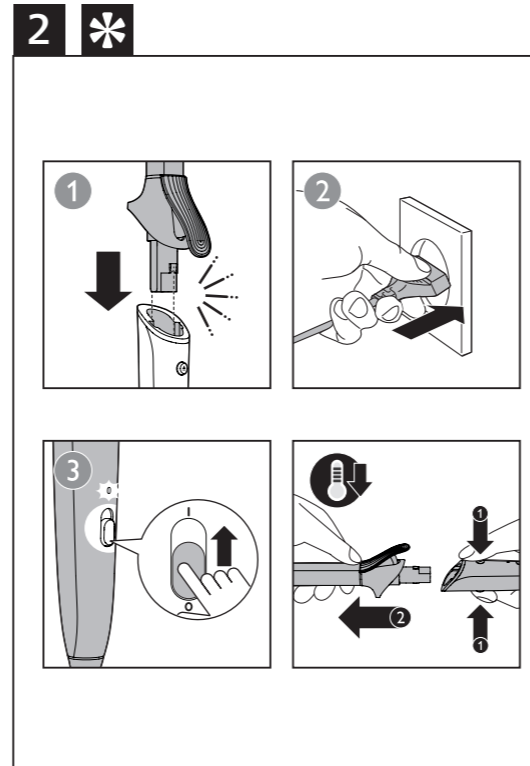
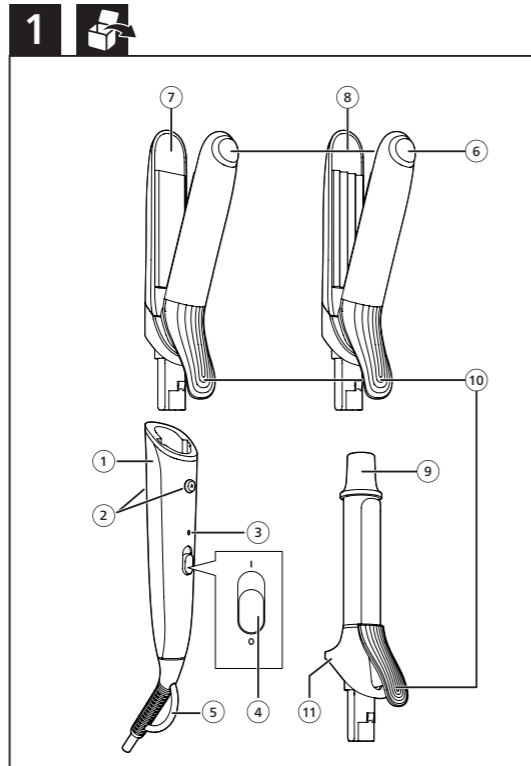
# User manual



Specifications are subject to change without notice  
© 2021 Koninklijke Philips N.V.  
All rights reserved.



3000.076.0935.1 (11/11/2021)



## English

Congratulations on your purchase, and welcome to Philips! To fully benefit from the support that Philips offers, register your product at [www.philips.com/welcome](http://www.philips.com/welcome).

### 1 Important

Read this user manual carefully before you use the appliance and keep it for future reference.

- **WARNING:** Do not use this appliance near water.
- When the appliance is used in a bathroom, unplug it after use since the proximity of water presents a risk, even when the appliance is switched off.
- **WARNING:** Do not use this appliance near bathtubs, showers, basins or other vessels containing water.
- Always unplug the appliance after use.
- If the main cord is damaged, you must have it replaced by Philips, a service centre authorised by Philips or similarly qualified persons in order to avoid a hazard.
- This appliance can be used by children aged from 8 years and above and persons with reduced physical, sensory or mental capabilities or lack of experience and knowledge if they have been given supervision or instruction concerning use of the appliance in a safe way and understand the hazards involved. Children shall not play with the appliance. Cleaning and user maintenance shall not be made by children without supervision.
- For additional protection, we advise you to install a residual current device (RCD) in the electrical circuit that supplies the bathroom. This RCD must have a rated residual operating current not higher than 30mA. Ask your installer for advice.
- Do not pull on the power cord after using. Always unplug the appliance by holding the plug.
- Burn hazard. Keep appliance out of reach from young children, particularly during use and cool down.
- Before you connect the appliance, ensure that the voltage indicated on the appliance corresponds to the local power voltage.
- Do not use the appliance for any other purpose than described in this manual.
- Do not use the appliance on artificial hair.
- When the appliance is connected to the power, never leave it unattended.
- Never use any accessories or parts from other manufacturers or that Philips does not specifically recommend. If you use such accessories or parts, your warranty becomes invalid.
- Do not wind the main cord round the appliance.
- Wait until the appliance has cooled down before you store it.
- Pay full attention when using the appliance since it could be extremely hot. Only hold the handle as other parts are hot and avoid contact with the skin.
- Always place the appliance with the stand on a heat-resistant, stable flat surface. The hot heating plates/barrel should never touch the surface or other flammable material.
- Avoid the main cord from coming into contact with the hot parts of the appliance.
- Keep the appliance away from flammable objects and material when it is switched on.



- Never cover the appliance with anything (e.g. a towel or clothing) when it is hot.
- Only use the appliance on dry hair.
- Do not operate the appliance with wet hands.
- Keep the heating plates/barrel clean and free of dust and styling products such as mousse, spray and gel. Never use the appliance in combination with styling products.
- The heating plates/barrel has coating. This coating might slowly wear away over time. However, this does not affect the performance of the appliance.
- If the appliance is used on color-treated hair, the heating plates/barrel may be stained.
- Always return the appliance to a service centre authorized by Philips for examination or repair. Repair by unqualified people could result in an extremely hazardous situation for the user.
- Do not insert metal objects into openings to avoid electric shock.

### Electromagnetic fields (EMF)

This Philips appliance complies with all applicable standards and regulations regarding exposure to electromagnetic fields.

### Recycling

- Do not throw away the appliance with the normal household waste at the end of its life, but hand it in at an official collection point for recycling. By doing this, you help to preserve the environment.
- Follow your country's rules for the separate collection of electrical and electronic products. Correct disposal helps prevent negative consequences for the environment and human health.

## 2 Overview

- ① Handle
- ② Release buttons
- ③ Indicator
- ④ Power on/off
- ⑤ Hanging loop
- ⑥ Cooling tips
- ⑦ Straightening attachment
- ⑧ Crimping attachment
- ⑨ Curling attachment
- ⑩ Lever
- ⑪ Stand

## 3 Before Use

**Note: Do not change the styling attachments when it is hot. Only change the styling attachments when the appliance is cooled down.**

Select a suitable attachment for the hairstyle you want.

Hairstyle	Attachment	Temperature Setting
Straight sleek style	Straightening attachment ( ⑦ )	200°C
Tight/loose crimps	Crimping attachment ( ⑧ )	210°C
Wavy or tight curls	Curling attachment ( ⑨ )	210°C

### How to attach and detach ( Fig.2 )

- 1 Ensure the lever ( ⑩ ) of attachment is pointing at the release buttons ( ② ) on the top of the handle ( ① ).
- 2 Slide a suitable attachment onto the handle ( ① ).
  - To remove the attachment, press both release buttons ( ② ) on both sides of the handle. Remove the attachment only when both the appliance and attachment have cooled down.

### Tips and Tricks:

- Use a smaller amount of hair for longer hair lengths and/or to get more defined crimps/curls.
- For better straightening results, gently press together the ends of the straightening plates during straightening.
- Apply hair spray to your hair after styling for long-lasting results.

## 4 Warranty and service

If you need information e.g. about replacement of an attachment or if you have a problem, please visit the Philips website at [www.philips.com/support](http://www.philips.com/support) or contact the Philips Customer Care Centre in your country (you find its phone number in the worldwide warranty leaflet). If there is no Consumer Care Centre in your country, go to your local Philips dealer.



Always there to help you

Visit us at <https://www.philips.co.in/>  
 Contact at: 1860 180 1111, 1800 102 2929  
 Or [customer care.india@philips.com](mailto:customer care.india@philips.com)

## Warranty card

PHILIPS

Serial No.:

Dealer's Name: \_\_\_\_\_

Dealer's Stamp: \_\_\_\_\_

Customer's Name and Address: \_\_\_\_\_

Model No. \_\_\_\_\_

Bill No. \_\_\_\_\_ Amount: \_\_\_\_\_

Date of Purchase \_\_\_\_\_

Dealer Signature \_\_\_\_\_

### Warranty and Service

For any information or problem, contact your local Philips dealer or authorized service center. For a list of authorized Philips service centers visit: [www.philips.com](http://www.philips.com) or contact our consumer care at 1800 102 2929 (Toll free) or 1860 180 1111 (standard call rates apply)

All consumables and parts susceptible to normal wear and tear are not covered under warranty.

### Warranty Card

This apparatus is covered under warranty against any defect due to defective material or workmanship for TWO YEARS from the date of purchase. Should a defect develop during the period of warranty, PHILIPS INDIA LTD. undertakes to repair the apparatus FREE OF CHARGE at any of the Philips authorized Service Centres.

The warranty is not valid in case:

1. Apparatus is not used according to user manual.
2. Defects caused by improper or reckless use.
3. Repairs done by persons other than Philips Authorized service centre.
4. Modifications of any nature made in the apparatus.
5. Tampered serial number.
6. Incomplete warranty card after purchase.
7. Product if used for commercial purpose (i.e. other than domestic use).
8. Usage of parts not recommended by Philips or those made by other manufacturers.

PHILIPS INDIA LIMITED,  
 3rd FLOOR, TOWER A, DLF IT PARK, 08 BLOCK AF,  
 MAJOR ARTERIAL ROAD, NEW TOWN (RAJARHAT),  
 KOLKATA-700156, WEST BENGAL