

BHH880



EN User manual ZH-CN 用户手册

PHILIPS



© 2021 Koninklijke Philips N.V.
保留所有权利

3000.022.1311.3 (02/06/2021)



100% 循环再造纸

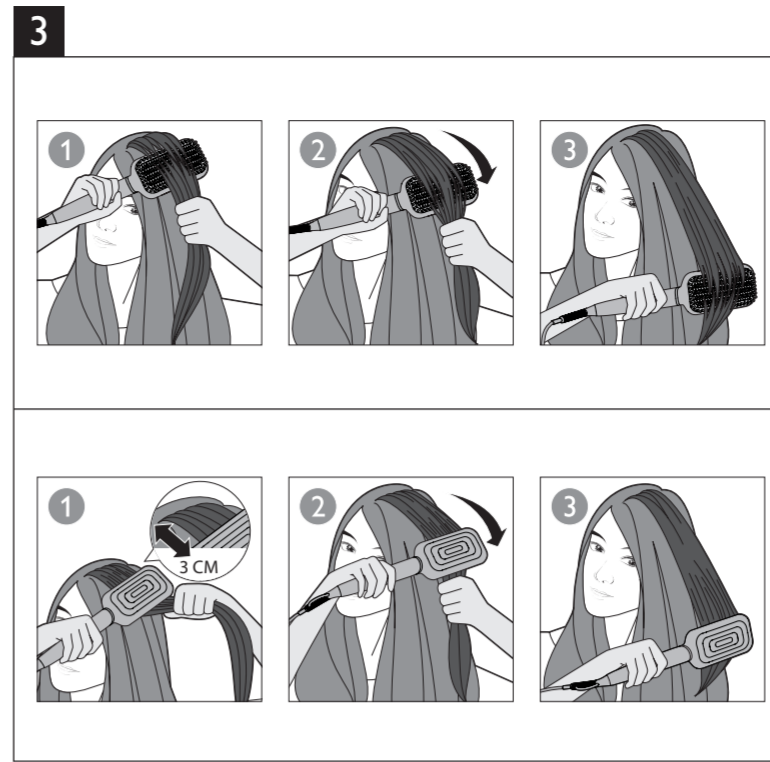
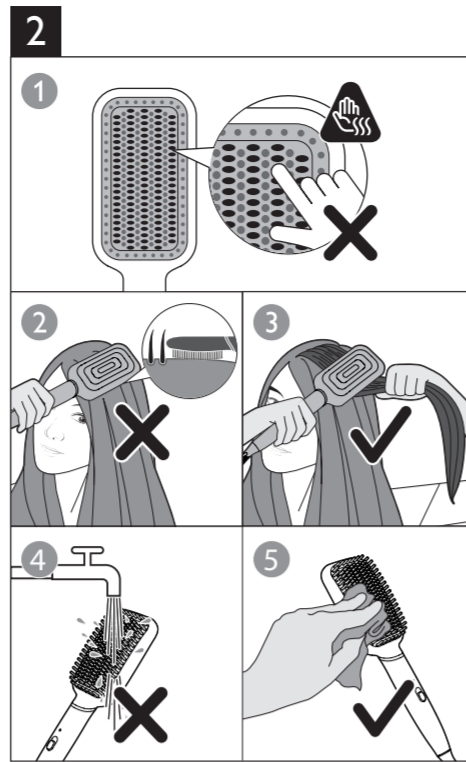
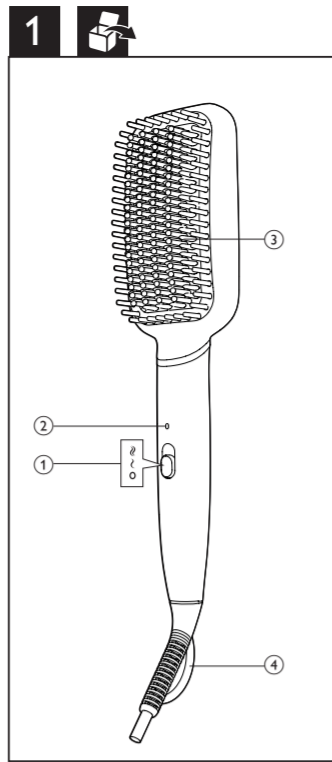
English

Congratulations on your purchase, and welcome to Philips! To fully benefit from the support that Philips offers, register your product at www.philips.com.cn/welcome.

1 Important

Read this user manual carefully before you use the appliance and keep it for future reference.

- **WARNING:** Do not use this appliance near water.
- When the appliance is used in a bathroom, unplug it after use since the proximity of water presents a risk, even when the appliance is switched off.
- **WARNING:** Do not use this appliance near bathtubs, showers, basins or other vessels containing water.
- Always unplug the appliance after use.
- If the main cord is damaged, you must have it replaced by Philips, a service centre authorised by Philips or similarly qualified persons in order to avoid a hazard.
- This appliance can be used by children aged from 8 years and above and persons with reduced physical, sensory or mental capabilities or lack of experience and knowledge if they have been given supervision or instruction concerning use of the appliance in a safe way and understand the hazards involved. Children shall not play with the appliance. Cleaning and user maintenance shall not be made by children without supervision.



- Before you connect the appliance, ensure that the voltage indicated on the appliance corresponds to the local power voltage.
- Do not use the appliance for any other purpose than described in this manual.
- Do not use the appliance on artificial hair.
- When the appliance is connected to the power, never leave it unattended.
- Never use any accessories or parts from other manufacturers or that Philips does not specifically recommend. If you use such accessories or parts, your guarantee becomes invalid.
- Do not wind the main cord round the appliance.
- Only use the appliance on dry hair.
- Wait until the appliance has cooled down before you store it.
- Pay full attention when using the appliance since it could be extremely hot. Only hold the handle as the bristles are hot and avoid contact with the skin.
- Always place the appliance on a heat-resistant, stable flat surface. The hot brush should never touch the surface or other flammable material.
- Avoid the main cord from coming into contact with the hot parts of the appliance.
- Keep the appliance away from flammable objects and material when it is switched on.
- Never cover the appliance with anything (e.g. a towel or clothing) when it is hot.
- Do not operate the appliance with wet hands.
- Keep the brush clean and free of dust and styling products such as mousse, spray and gel. Never use the appliance in combination with styling products.
- The metal bristles have coating. This coating might slowly wear away over time. However, this does not affect the performance of the appliance.
- If the appliance is used on color-treated hair, the brush may be stained.

- Always return the appliance to a service centre authorized by Philips for examination or repair. Repair by unqualified people could result in an extremely hazardous situation for the user.
- Do not insert metal objects into openings to avoid electric shock.
- Do not pull on the power cord after using. Always unplug the appliance by holding the plug.
- Do not clean any part of the brush under tap water as it is extremely dangerous.
- For additional protection, we advise you to install a residual current device (RCD) in the electrical circuit that supplies the bathroom. This RCD must have a rated residual operating current not higher than 30mA. Ask your installer for advice.
- Burn hazard. Keep appliance out of reach from young children, particularly during use and cool down.

Electromagnetic fields (EMF)

This Philips appliance complies with all applicable standards and regulations regarding exposure to electromagnetic fields.

Recycling

- Do not throw away the appliance with the normal household waste at the end of its life, but hand it in an official collection point for recycling. By doing this, you help to preserve the environment.
- Follow your country's rules for the separate collection of electrical and electronic products. Correct disposal helps prevent negative consequences for the environment and human health.

2 How to use

Before use:

Note

- Only use the brush on dry hair.
- Bristles are hot. Do not touch the bristles nor put the bristles too close to your hair roots or scalp, to avoid unintended burns.
- Some parts of the brush may be hot. Hold the product by its handle.
- Remove your fingers when the brush is close to hair ends to avoid touching the bristles.
- Do not wash the brush under running water.

- 1 Connect the plug to a power supply socket.
- 2 Comb your hair thoroughly and divide them into small sections.
- 3 Slide the temperature switch (1) to select your desired setting according to the table as below.

Hair Type	Temperature Setting
Thin / Medium hair	☺ - 170°C
Thick hair	☹ - 200°C

→ The indicator (2) will keep blinking until the appliance is ready for use.

To straighten your hair (Fig.3)

- 1 Use a round brush or comb to detangle your hair before using.
- 2 Select one section of hair and put the heated brush (3) underneath the hair strand with bristles facing upwards, about 3cm away from your hair roots.
- 3 Hold the selected hair section taut. Slide down the brush slowly to your hair ends in a single motion and slightly turn in the brush as you reach the ends to give soft flicks to the ends.
- 4 Allow the section of hair to cool for 2-3 seconds. On the same hair with brush facing downwards, hold the hair taut and slowly slide down to your hair ends in a single motion without stopping.
- 5 Repeat steps 2-4 as necessary until you get your desired results.
- 6 To turn off the appliance, slide the switch (1) to 0.
- 7 Let the hair sections cool down before you finger-comb the hair into its final style. For long lasting results, mist with hairspray.

Tips and Tricks

- Flatten the selected section of hair between your fingers before placing hair on the brush so that hair is spread evenly across the brush.
- Place selected hair as close as possible to the heated base of the brush to ensure there is good contact with hair for better styling results.

After use:

- 1 Switch off the appliance and unplug it.
- 2 Place it on a heat-resistant surface until it cools down.
- 3 Clean the appliance and bristles by damp cloth and use your fingers to remove hair or dust on the brush.
- 4 Keep it in a safe and dry place, free of dust. You can also hang it with the hanging loop (4).

3 Guarantee and service

If you need information e.g. about replacement of an attachment or if you have a problem, please visit the Philips website at www.philips.com.cn/support or contact the Philips Consumer Care Center in your country. The phone number is in the worldwide guarantee leaflet. If there is no Consumer Care Centre in your country, go to your local Philips dealer.

4 Troubleshooting

Problem	Cause	Solution
The appliance does not work at all.	The power socket to which the appliance has been connected may be broken.	Check the appliance is plugged in correctly. Check the fuse for this power socket in your home.
The hair strand is not straight enough after styling.	Temperature setting is too low to reach the desired style.	Brush your hair when the indicator stops blinking. Change temperature setting to ☹. Put the selected hair strand close to the heating base of the brush.

简体中文

感谢您的惠顾，欢迎光临飞利浦！为了您能充分享受飞利浦提供的支持，请在 www.philips.com.cn/welcome 上注册您的产品。

1 重要事项

- 使用产品之前，请仔细阅读本用户手册，并妥善保管以供日后参考。
- **警告：**请勿在靠近水的地方使用本产品。
- 本产品在浴室使用时，使用后拔下插头，因为即使本产品开关断开后，接近水仍存在危险。
- **警告：**不要在盛水的浴缸、淋浴、洗脸盆或其他器皿附近使用本产品。
- 使用后务必拔下产品插头。
- 如果电源线损坏，为避免危险，必须由飞利浦、飞利浦授权的服务中心或类似的专业技术人员进行更换。
- 本产品适合由 8 岁或以上年龄的儿童以及肢体不健全、感觉或精神上有所障碍或缺乏相关经验和知识的人士使用，但前提是有人对他们使用本产品进行监督或指导，以确保他们安全使用，并且让他们明白相关的危害。不得让儿童玩耍本产品。不要让儿童在无人监督的情况下进行清洁和保养。
- 连接产品之前，请确保产品上标示的电压与当地电源电压相符。

• 请勿将本产品用于本手册中说明以外的任何其它用途。

- 请勿对假发使用本产品。
- 当产品连接了电源时，切勿让其无人看管。
- 切勿使用由其他制造商生产的，或未经飞利浦特别推荐的任何附件或部件。如果使用此类附件或部件，您的保修将失效。
- 切勿将电源线缠绕在产品上。
- 产品只能用于干的头发。
- 待产品完全冷却后再存放。
- 由于产品会很烫，请在使用时多加注意。只能握住手柄，因为梳齿会很烫，并且避免与皮肤接触。
- 始终将本产品放置在隔热的平稳表面上。直发梳不得接触物体表面或其他可燃材料。

- 不要让电源线接触到产品的灼热部分。
- 如果产品已开启，请使产品远离易燃物体和材料。
- 当产品变热时切勿在其表面覆盖任何物品（如毛巾或衣服）。
- 切勿用湿手操作本产品。
- 保持直发梳洁净无尘且未粘上定型产品（如摩丝、定型喷剂和发胶）。切勿将本产品与定型产品一起使用。
- 直发梳齿上涂有涂层。此涂层可能会随着时间的推移慢慢磨损。但是，这并不影响产品的性能。
- 将产品用于染过色的头发时，直发梳可能会染上颜色。
- 产品只能送到飞利浦授权的服务中心检修。由不合格人员进行修理可能将用户置于极度危险的境地。
- 切勿将金属物体插入开口中，以免触电。
- 使用后请勿拉扯电源线。拔下产品插头时，请握紧插头。
- 请勿在自来水下清洁直发梳的任何部件，这样非常危险。
- 为了增加保护，建议在浴室供电的电气回路中安装一个额定剩余工作电流不超过 30mA 的剩余电流装置 (RCD)。详情请向 RCD 安装商咨询。
- 注意烫伤。请勿让儿童在产品使用中，或冷却时接触产品。

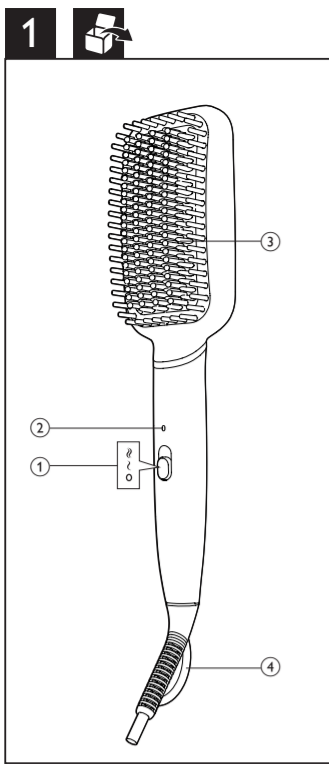
电磁场 (EMF)

本飞利浦产品符合所有有关暴露于电磁场的适用标准和法规。

回收

- 弃置产品时，请不要将它与一般生活垃圾一同丢弃，应将其交给官方指定的回收中心。这样做有利于环保。
- 请遵循您所在国家/地区的电器及电子产品分类回收规定。正确弃置产品有助于避免对环境 and 人类健康造成负面影响。





2 使用方法

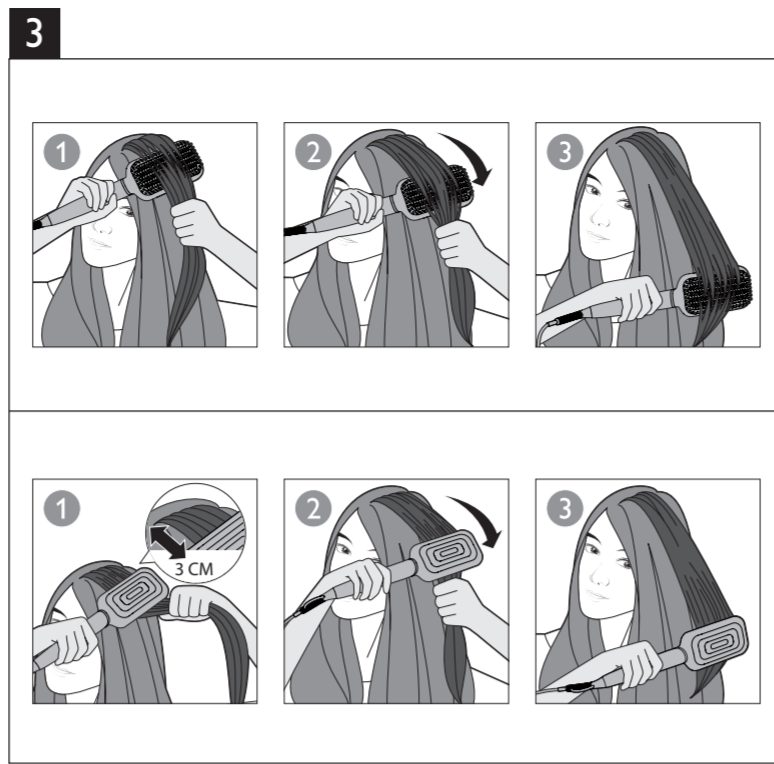
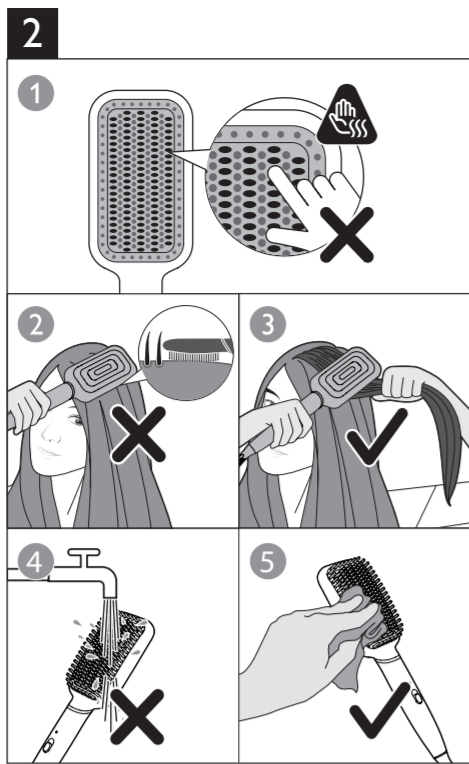
使用之前：

注意

- 直发梳只能用于干发。
- 梳齿会很烫。请勿触摸梳齿或让梳齿离您的发根或头皮过近，以避免意外烫伤。
- 直发梳的一些部件可能会很烫。仅可握住产品把手。
- 在直发梳靠近发梢时将您的手指移开，以避免接触梳齿。
- 请勿在自来水下清洗直发梳。

- 1 将插头连接至电源插座。
- 2 彻底梳理头发，将头发分成数缕。
- 3 滑动温度开关 (①) 并按照下表选择您所需的设置。

发质类型	温度设定
细发/中等粗细的头发	~ 170°C
粗厚的头发	~ 200°C



↳ 指示灯 (②) 将持续闪烁，直至产品可供使用。

拉直头发 (图3)

- 1 在使用前，用圆梳或排梳将头发梳顺。
- 2 选择一缕头发，然后将直发梳 (③) 置于发缕下方，梳齿面朝上，距离发根大约 3cm。
- 3 将所选发缕拉紧。缓缓地将梳子顺着头发往下滑至发梢，然后在触及发梢时轻轻转动梳子，从而使发梢微微卷翘。
- 4 让发缕冷却 2-3 秒后，对同样的这缕头发，将梳面朝下并拉紧头发，缓缓地将梳子顺着头发往下滑至发梢，中间不要停顿。
- 5 如有需要，重复步骤 2-4，直到获得理想效果。
- 6 要关闭产品，将开关 (①) 滑动至 0。
- 7 用手指将头发整理好造型之前，先让发缕冷却。要获得持久的效果，可喷上定型剂。

提示和诀窍

- 在将头发置于直发梳上之前，用手指将所选发缕理平，以便将头发均匀地分布在直发梳上。
- 将所选头发置于距离直发梳加热底座尽可能近的位置，以确保与头发更好地接触，从而获得更好的造型效果。

使用后：

- 1 关闭产品并拔出电源插头。
- 2 将产品置于隔热表面上，直至其冷却。
- 3 使用湿布清洁产品和梳齿，然后用手指清除直发梳上的头发或灰尘。
- 4 将产品存放在安全、干燥、清洁的位置。您也可以使用挂环 (④) 将产品挂起存放。

3 保修与服务

如果您需要了解有关信息 (如更换附件的相关信息) 或有任何疑问，请访问飞利浦网站 www.philips.com.cn/support 或与您所在国家/地区的飞利浦客户服务中心联系。电话号码可以在全球保修卡中找到。如果您所在的国家/地区没有飞利浦客户服务中心，请向当地的飞利浦经销商求助。

4 故障排除

问题	原因	解决方法
产品完全无法工作。	产品所连接的电源插座可能已损坏。	检查设备已正确插入。 检查您家中电源插座的保险丝。
在造型完成后，发缕不够直。	温度设置过低，无法达到想要的造型效果。	当指示灯停止闪烁时再造型头发。 将温度设置更改为 0。
		将所选发缕置于靠近直发梳加热底座的位置。

保留备用

出版日期：2021-06-02

PHILIPS

产品 : 飞利浦直发梳
型号 : BHH880
额定电压 : 220V~
额定频率 : 50Hz
额定输入功率 : 52W
生产日期 : 请见产品本体
产地 : 中国广东中山

飞利浦 (中国) 投资有限公司
上海市静安区灵石路718号A1幢
全国顾客服务热线：4008 800 008

本产品根据国标 GB4706.1-2005, GB4706.15-2008, GB4343.1-2018 及GB17625.1-2012制造

免费维修或更换零配件后的产品保修期为下列期限中的较长者：

- 原保修期的剩余期限
- 维修或更换零部件后交付您之日起90日
- 适用的法律规定的期限

用户请保留此卡。

此卡若经涂改即作废。

此卡须联同有效的购物凭证一起使用方为有效。

以下情况将不能获得免费服务。

1. 使用不当引起的人为损坏，例如接入不适当电源、使用不适当配件、不适当之安装、不遵循说明书使用、错误使用或疏忽而造成损坏等、因运输及其他意外而造成之损坏、非经本公司认可之维修和改装、其他因不可抗力 (如自然灾害、电压异常等) 造成的损坏。
2. 一般家庭以外使用 (如工业、商业用) 而造成的损坏。
3. 正常使用引起的产品老化、磨损等，但不影响产品的正常使用。

质保卡作为在规定期限及条件之内进行免费维修的保证，并不限制消费者的法定权利。

飞利浦提供2年全球联保服务，在产品由飞利浦正式销售的所有国家中，都提供保修和保修期满后的维修服务。申请保修时，您需提供真实有效的购物凭证，且申请日期需在保修期限之内。

保修条款如有细微调整或变更，均以飞利浦官方网站保修政策为准。

加入飞利浦会员

注册会员即享官网购物专属会员价，更多飞利浦会员回馈等你来拿。

扫一扫 立即加入



或搜索并关注 微信公众号
“飞利浦健康生活”

消费者服务热线：
4008 800 008 (用户需承担本地通话费)



飞利浦微信售后小程序



网址：www.philips.com.cn

产品中有害物质的名称及含量		有害物质				
部件名称		镉 (Cd)	汞 (Hg)	铅 (Pb)	多溴联苯 (PBB)	多溴二苯醚 (PBDE)
发热架组合		0	0	X	0	0
电源线		0	0	X	0	0

本表格依据SJ/T 11364的规定编制。
O：表示该有害物质在该部件中的含量均在GB/T 26572规定的限量要求以下。
X：表示该有害物质在该部件中的含量超出GB/T 26572规定的限量要求。

*该表格中所显示的“有害物质”在产品正常使用情况下不会对人身和环境产生任何伤害。
*该表格中所显示的“有害物质”及其存在的部件向消费者和回收处理从业者提供相关物质的存在信息，有助于产品废弃时的妥善处理。