


Manufactured for: Philips Personal Health  
 a division of Philips North America LLC  
 P.O. Box 10313, Stamford, CT 06904, USA


 This symbol on the product's nameplate means it is listed by Underwriters' Laboratories, Inc.

Norelco is a registered trademark of Philips North America LLC.

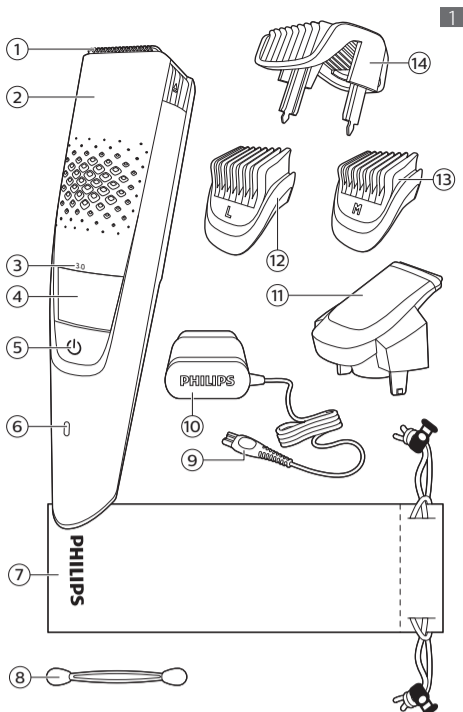
PHILIPS and Philips shield are registered trademarks of Koninklijke Philips N.V.

©2017 Philips North America LLC. All rights reserved.

4222.002.8655.5 (11/23/2017)

 >75% recycled paper  
>75% papier recyclé





English

## IMPORTANT SAFETY INSTRUCTIONS

When using an electric product, basic precautions should always be followed, including the following:

**Read all instructions before using this product.**

### DANGER

**To reduce the risk of electric shock:**

- Do not reach for a corded product that has fallen into water. Unplug immediately from the power outlet.
- Keep the product dry.
- Use product only in dry condition. Do not use while bathing or in a shower.
- Unplug and remove the power cord from the product before cleaning.
- Do not place or store the product where it can fall or be pulled into a tub or sink. Do not place or drop the product into water or other liquid.
- Except when charging, always unplug this product from the power outlet immediately after use.

### WARNING

**To reduce the risk of burns, fire, electric shock, or injury to persons:**

- Close supervision is required when this product is used by, on, or near children, or persons with limited physical, sensory, or mental capabilities or invalids.
- Use this product only for its intended household use as described in this manual. Do not use attachments not recommended by Philips North America LLC.
- Never operate this product if it has a damaged power cord, if it is not working properly, after it has been dropped or damaged, or after the product or power cord has been dropped into water. For assistance call 1-800-243-3050.
- Keep the power cord away from heated surfaces.
- Never drop or insert any object into any opening.
- Do not use the power cord in or near a power outlet that contains an electric air freshener to prevent damage to the power cord.
- Do not charge or plug in product outdoors or operate where aerosol (spray) products are being used or where oxygen is being administered.
- Always check cutters, cutting unit and guards before using the product. Do not use the product if cutters, cutting unit or guards are damaged, as injury may occur.
- Always attach power cord to product first, then to power outlet. To disconnect, set all controls to 'off' position. Then remove power cord from power outlet.
- Plug power cord directly into power outlet. Do not use an extension cord.

- Unplug power cord before plugging in or unplugging the product.
- Only use the power cord and other accessories supplied with the product.
- Do not attempt to open the product to remove or replace the built-in rechargeable battery.
- The batteries used in this product may present a fire or chemical burn hazard if mistreated. Do not disassemble, heat above 100°C (212°F) or incinerate.

**IMPORTANT:** The power plug contains a transformer. Do not cut off the power plug to replace it with another plug as this will cause a hazardous condition.

## SAVE THESE INSTRUCTIONS

### Introduction

Congratulations on your purchase and welcome to Philips Norelco!

To fully benefit from the support that Philips Norelco offers, register your product at [www.norelco.com/register](http://www.norelco.com/register).

### General description (Fig.1)

- 1 Cutting element
  - 2 Vacuum system
  - 3 Length settings
  - 4 Zoom wheel
  - 5 On/off button
  - 6 Battery status indicator
  - 7 Pouch
  - 8 Cleaning sponge
  - 9 Small plug
  - 10 Power plug
  - 11 Precision trimmer
  - 12 Detail comb L (5mm/3/16in)
  - 13 Detail comb M (3mm/1/8in)
  - 14 Beard and stubble comb
- Not shown: cleaning brush

### Display

#### Battery status indicator

- When the battery is almost empty, the battery charge indicator flashes orange (Fig. 2).
- When the product is charging, the battery charge indicator flashes white (Fig. 3).
- When the battery is fully charged, the battery charge indicator lights up white continuously (Fig. 4).

Note: The lights switch off automatically after 30 minutes.

#### Length settings

The selected hair length setting will light up on the front of the handle when you select the desired length setting with the zoom wheel (Fig. 5).

#### Charging

Charging takes approx. 1 hour. Charge the product before first use and when the display indicates that the battery is almost empty.

- Charging, recharging, or using the product at temperatures below 40°F (4.5°C) or higher than 95°F (35°C) adversely affects lifespan of the battery.
  - If the product is subjected to a major change in temperature, pressure or humidity, let the product acclimatize for 30 minutes before using.
- 1 Make sure the product is turned off.
  - 2 Put the small plug in the product and put the power plug in the wall outlet.
  - 3 After charging, remove the power plug from the wall outlet and pull the small plug out of the product.

When the product is fully charged, it has a cordless operating time of up to 80 minutes.

Note: An adapter plug may be necessary for cord usage in some foreign countries. Use an attachment plug adapter of the proper configuration for power outlet.

### Using the product

**Always check the product and all accessories before using. Do not use the product or any accessory if it is damaged, as this may cause injury. Always replace a damaged part with one of the original type.**

Note: This product can be used without cord or directly from the power outlet.

Note: Switch off and clean the product after each use (see 'Cleaning').

- Use this product for its intended household use as described in this manual.
- For hygienic reasons, the product should only be used by one person.
- Trimming is easier when the skin and hairs are dry.

### Switching the product on and off

Press the on/off button once to switch the product on or off (Fig. 7).

### Trimming with comb

Note: When you trim for the first time, start at the highest length setting to familiarize yourself with the product.

- You can use the beard and stubble comb attached to the cutting element to groom your beard and moustache in your preferred style. For the beard and stubble comb, you can turn the zoom wheel to choose from 20 length settings ranging from 0.5mm to 10mm/1/32in to 13/32in in steps of 0.5mm/1/32in (Fig. 5).
- You can use the precision trimmer with a detail comb attached for precision trimming of your sideburns, moustache or beard (Fig. 17).

Note: Switch off and clean the product after each use (see 'Cleaning').

- 1 Attach the detail comb (Fig. 16) or the beard and stubble comb onto the product (Fig. 8).
- 2 Switch on the product.
- 3 To trim most effectively, move the product against the hair growth direction (Fig. 9). Make sure that the surface of the comb always stays in contact with the skin.

### Trimming without comb

- You can use the product without beard and stubble comb to trim hair close to the skin or to contour the neckline and sideburns. To trim hair close to the skin, place the flat side of the trimming head against your skin and make strokes in the desired direction (Fig. 11).
- For contouring hold the trimming head perpendicular to the skin and move the trimming head upwards or downwards with gentle pressure (Fig. 12).
- You can use the precision trimmer to create fine lines and contours around your facial style, close to the skin (Fig. 15). Simply pull the cutting element straight off (Fig. 13) and insert the precision trimmer (Fig. 14).

### Detail trimming without comb

You can use the detail trimmer to create fine lines and contours around your facial style, close to the skin.

- 1 Remove the cutting element (Fig. 13) and attach the detail trimmer (Fig. 14).
- 2 Switch on the product.
- 3 Hold the detail trimmer perpendicular to the skin and move the detail trimmer upwards or downwards with gentle pressure (Fig. 15).

### Detail trimming with comb

You can use the detail trimmer with the detail comb attached for precision trimming of your sideburns, moustache or beard.

There are 2 different detail trimming combs: M (3mm) and L (5mm)

- 1 Attach the detail trimming comb onto the detail trimmer (Fig. 16).
- 2 Switch on the product.
- 3 To trim most effectively, move the product against the hair growth direction. Make sure that the surface of the comb always stays in contact with the skin (Fig. 17).
- 4 Switch off and clean the product after each use (see 'Cleaning').

## Cleaning

**Only the cutting element and combs can be cleaned with water.**

**Never use scouring pads, abrasive cleaning agents or aggressive liquids such as gasoline or acetone to clean the product.**

We advise you to empty the hair-collection chamber after each trimming session. When you trim long, dense beards, it may also be necessary to empty the hair-collection chamber during the trimming session in order to maintain optimal suction performance.

- 1 Switch the product off and disconnect it from the power outlet.
- 2 Wipe the housing of the product with a dry cloth.
- 3 Remove the comb (Fig. 10) and clean it with the cleaning brush and/or rinse it under the tap (Fig. 18).

**Only the cutting element and combs can be cleaned with water.**

- 4 Remove the cutting element and clean it under the tap (Fig. 19). Carefully shake off excess water and let air dry completely.

**Never dry the cutting unit with a towel or tissue, as this may damage the trimming teeth.**

- 5 Shake and/or brush out the hairs that have collected in the hair chamber (Fig. 20 Fig. 21). Use the cleaning sponge to remove the hairs in the corners of the hair chamber.
- 6 After cleaning, reattach the cutting element (Fig. 22) and comb (Fig. 8) to the product.

This product has no other user-serviceable parts. For assistance call 1-800-243-3050.

## Storage

- Be sure the product is switched off. Remove cord from outlet and the product before storing it in a safe, dry location where it will not be crushed, banged, or subject to damage.
- Do not wrap cord around the product when storing.
- Store cord in a safe location where it will not be cut or damaged.
- Do not place or store the product where it can fall or be pulled into a tub or sink, water or other liquid while plugged in.

## Disposal

- This appliance contains a rechargeable lithium-ion battery which must be disposed of properly. Contact your local town or city officials for battery disposal information. You can also call 1-800-822-8837 (Fig. 23) or visit [www.call2recycle.org](http://www.call2recycle.org) for battery drop-off locations.
- For assistance, visit our website [www.philips.com/support](http://www.philips.com/support) or call 1-800-243-3050 toll free.
- Your product is designed and manufactured with high quality materials and components, which can be recycled and reused. For recycling information, please contact your local waste management facilities or visit [www.recycle.philips.com](http://www.recycle.philips.com)

## Assistance

For assistance, visit our website:

[www.philips.com/support](http://www.philips.com/support) or call toll free 1-800-243-3050.

Online information is available 24 hours a day, 7 days a week.

## Full Two-Year Warranty

Philips Electronics North America Corporation warrants this new product (except cutters and combs) against defects in materials or workmanship for a period of two years from the date of purchase, and agrees to repair or replace any defective product without charge.

**IMPORTANT:** This warranty does not cover damage resulting from accident, misuse or abuse, lack of reasonable care, the affixing of any attachment not provided with the product or loss of parts or subjecting the product to any but the specified voltage or batteries.\*

**NO RESPONSIBILITY IS ASSUMED FOR ANY SPECIAL, INCIDENTAL OR CONSEQUENTIAL DAMAGES.**

In order to obtain warranty service, simply go to [www.philips.com/support](http://www.philips.com/support) for assistance. It is suggested that for your

protection you return shipments of product by insured mail, insurance prepaid. Damage occurring during shipment is not covered by this warranty.

NOTE: No other warranty, written or oral, is authorized by Philips North America LLC.

This warranty gives you specific legal rights, and you may also have other rights which vary from state to state. Some states do not allow the exclusion or limitation of incidental or consequential damages, so the above exclusion and limitations may not apply to you.

\*Read enclosed instructions carefully.

## **45-DAY MONEY-BACK GUARANTEE**

If you are not fully satisfied with your product send the product back and we'll refund you the full purchase price.

**The product must be shipped prepaid by insured mail, insurance prepaid, have the original sales receipt, indicating purchase price and date of purchase, and the money-back guarantee return authorization form enclosed.**

**We cannot be responsible for lost mail.**

The product must be postmarked no later than 45 days after the date of purchase. Philips reserves the right to verify the purchase price of the product and limit refunds not to exceed suggested retail price.

**To obtain money-back guarantee return authorization form, call 1-800-243-3050 for assistance.**

**Delivery of refund check will occur 6–8 weeks after receipt of returned product.**

Español

# **IMPORTANT SAFETY INSTRUCTIONS**

Cuando utilice un producto eléctrico, siempre debe seguir las precauciones básicas, incluidas las siguientes:

**Lea todas las instrucciones antes de usar este producto.**

## **DANGER**

**To reduce the risk of electric shock:**

- No intente agarrar un producto con cable que haya caído al agua. Desconéctelo inmediatamente del enchufe de la pared.
- Keep the product dry.
- Use el producto únicamente si está seco. No lo use mientras se baña en la tina ni en la ducha.
- Unplug and remove the power cord from the product before cleaning.
- No coloque ni guarde el producto en un lugar desde donde pueda caerse a una bañera o fregadero. No coloque el producto en un lugar desde donde pueda caerse al agua o a cualquier otro líquido ni sumerja el producto en ningún tipo de líquido.
- Siempre desenchufe este producto del tomacorriente inmediatamente después del uso, menos que se esté cargando.

## **ADVERTENCIA**

**Para reducir el riesgo de quemaduras, incendio, descarga eléctrica o lesiones:**

- El uso de este dispositivo debe estar bajo estricta supervisión cuando esté operado por niños, por personas con capacidades mentales, sensoriales o físicas limitadas o por personas con discapacidades, o cuando se emplee en o cerca de estos.
- Utilice este producto solo para el uso al que está destinado tal y como se describe en este manual. No use accesorios que no estén especificados por la Corporación Philips Electronics de Norteamérica.

- Nunca utilice este producto si el cable o el enchufe de carga están dañados, si no funciona correctamente, si se cayó, si está dañado o si se sumergió en agua mientras estaba conectado a la alimentación eléctrica. Para solicitar asistencia, comuníquese al 1-800-243-3050.
- Mantenga el producto, el cable, el enchufe de carga y cualquier accesorio lejos de superficies calientes.
- No deje caer ni introduzca ningún objeto en ninguna abertura.
- No utilice el adaptador dentro o cerca de una salida de corriente que contenga un ventilador de aire eléctrico para prevenir daño al adaptador.
- Do not charge or plug in product outdoors or operate where aerosol (spray) products are being used or where oxygen is being administered.
- Siempre controle las cuchillas, la unidad de corte y los peines antes de usar el producto. No use el producto si las cuchillas, la unidad de corte o los peines están dañados, ya que puede producirse una lesión.
- Siempre conecte la clavija al producto primero y, luego, al tomacorriente. Para desconectar, gire el interruptor de encendido/apagado a la posición de "APAGADO" y, luego, desenchufe la clavija del tomacorriente.
- Enchufe el cable de alimentación directamente en el toma corriente. No use un cable de extensión.
- Unplug power cord before plugging in or unplugging the product.
- Utilice únicamente el cable de alimentación y los accesorios suministrados con el producto
- No intente abrir el producto para retirar o reemplazar la batería recargable integrada.
- Las baterías que se emplean en este producto pueden representar un riesgo de incendio o de quemadura química si no se manipulan correctamente. No desarme, incinere ni permita que la temperatura de las baterías supere los 100 °C (212 °F).

**¡IMPORTANTE!** El enchufe eléctrico contiene un transformador. No corte el enchufe eléctrico para reemplazarlo con otro ya que esto puede producir una condición de peligro.

## CONSERVE ESTAS INSTRUCCIONES

### Introducción

¡Felicitaciones por su compra y bienvenido a Philips Norelco!

Para beneficiarse completamente del soporte que ofrece Philips Norelco, registre el producto en [www.norelco.com/register](http://www.norelco.com/register).

### Descripción general (Fig. 1)

- 1 Elemento de corte
  - 2 Sistema de vacío
  - 3 Ajustes de longitud
  - 4 Selector de longitud
  - 5 Botón de encendido/apagado
  - 6 Indicador de estado de batería
  - 7 Estuche
  - 8 Esponja de limpieza
  - 9 Clavija pequeña
  - 10 Enchufe
  - 11 Cortadora de precisión
  - 12 Peine de detalles en L (5 mm/3/16 in)
  - 13 Peine de detalles en M (3 mm/1/8 in)
  - 14 Peine de barba y de barba de pocos días
- No se muestra: cepillo de limpieza

### Mostrar

#### Indicaciones de estado de batería

- Cuando la batería está casi agotada, el indicador de carga de batería destella en color naranja (Fig. 3).
- Cuando el producto se está cargando, el indicador de carga de batería destella en color blanco (Fig. 4).
- Cuando la batería está totalmente cargada, el indicador de carga de batería se ilumina en blanco continuamente (Fig. 5).

Nota: Las luces se apagan automáticamente después de 30 minutos.

## Indicaciones de longitud de vello

El ajuste de longitud de vello seleccionado se ilumina en la parte delantera del mango cuando selecciona el ajuste de longitud deseado con el selector de longitud (Fig. 6).

## Carga

La carga toma, aproximadamente, 1 hora. Cargue el producto antes de usarlo por primera vez y cuando la pantalla indique que la batería está casi agotada si no la ha utilizado durante un period prolongado.

- La carga, recarga o el uso del producto a temperaturas por debajo de los 40° F (4.5° C) o superiores a los de 95° F (35° C) afecta la vida útil de la batería.
  - Si el producto está sujeto a un cambio de temperatura, presión o humedad de consideración, deje aclimatar el producto durante 30 minutos antes de utilizarlo.
- 1 Asegúrese de que el producto esté apagado.
  - 2 Coloque el enchufe pequeña en el producto y conecte el enchufe eléctrico en el tomacorriente de pared.
  - 3 Después de realizar la carga, retire el enchufe del tomacorriente y retire la clavija pequeña del producto.

Cuando el producto está totalmente cargado, posee una autonomía de funcionamiento de hasta 80 minutos sin cable.

Nota: Es posible que se requiera un enchufe adaptador para el uso del cable en algunos países extranjeros. Use un enchufe adaptador compatible con la configuración del tomacorriente.

## Uso del producto

**Siempre revise el producto y todos los accesorios antes de usarlo. No use el producto ni ningún accesorio si está dañado, ya que esto puede causar alguna lesión. Siempre reemplace una pieza dañada con una del tipo original.**

Nota: Este producto puede usarse sin el cable de alimentación o conectado directamente al tomacorriente.

Nota: Desconecte y limpie el producto después de cada uso (see 'Limpieza').

- Use este producto para su uso previsto en el hogar, según se describe en este manual.
- Por motivos de higiene, el producto debe emplearse únicamente por una persona.
- El recorte es más fácil cuando la piel y el vello están secos.

## Encendido y apagado del producto

Presione el botón de encendido/apagado una vez para encender o apagar el producto (Fig. 8).

## Recorte con peine

Nota: Cuando realice el primer recorte, empiece en el ajuste de longitud más alto para que se familiarice con el producto.

- Puede usar el peine de barba y de barba de pocos días junto con el elemento de corte para recortar la barba y el bigote con su estilo preferido. Para el peine de barba y de barba de pocos días, puede girar el selector de longitud para escoger 20 ajustes de longitud de 0.5 mm a 10 mm/1/32 in a 13/32 in en pasos de 0.5 mm/1/32 in (Fig. 6).
- Puede usar la cortadora de precisión con un peine de detalles para lograr un recorte de precisión en las patillas, el bigote o en la barba (Fig. 18).

Nota: Desconecte y limpie el producto después de cada uso (see 'Limpieza').

- 1 Coloque el peine de detalles (Fig. 17) o el peine de barba y de barba de pocos días en el producto (Fig. 9).
- 2 Encienda el producto.
- 3 Para lograr un recorte más efectivo, desplace el producto a contrapelo (Fig. 10). Asegúrese de que la superficie del peine esté siempre en contacto con la piel.



## Recorte sin peine

- Puede usar el producto sin el peine de barba y de barba de pocos días para recortar el vello corto o para dar forma a la línea del cuello y las patillas. Para recortar el vello corto, ubique el lado plano del cabezal de la cortadora contra la piel y deslícela en la dirección deseada (Fig. 12).
- Si desea dar forma a un área específica, sostenga el cabezal de la cortadora perpendicular a la piel y deslícelo hacia arriba y hacia abajo aplicando una presión suave (Fig. 13).
- Puede usar la cortadora de precisión para crear líneas finas y contornos de poca longitud que se adapten a su cara (Fig. 16). Simplemente retire el elemento de corte y (Fig. 14) coloque la cortadora de precisión (Fig. 15).

## Corte de detalles sin peine

Puede usar la cortadora de detalles para crear líneas finas y contornos de poca longitud que se adapten a su cara.

- 1 Retire el elemento de corte (Fig. 14) y coloque la cortadora de detalles (Fig. 15).
- 2 Encienda el producto.
- 3 Sostenga la cortadora de detalles perpendicular a la piel y deslícela hacia arriba y hacia abajo aplicando una presión suave (Fig. 16).

## Corte de detalles con peine

Puede usar la cortadora de detalles junto con el peine de detalles para lograr un recorte de precisión de las patillas, los bigote o la barba.

Hay 2 peines de recorte de detalles: M (3 mm) y L (5 mm)

- 1 Coloque el peine de recorte de detalles en la cortadora de detalles (Fig. 17).
- 2 Encienda el producto.
- 3 Para lograr un recorte más efectivo, desplace el producto a contrapelo. Asegúrese de que la superficie del peine esté siempre en contacto con la piel (Fig. 18).
- 4 Desconecte y limpie el producto después de cada uso (see 'Limpieza').

## Limpieza

**Solo el elemento de corte y los peines pueden limpiarse con agua.**

**Nunca use estropajos, agentes de limpieza abrasivos ni líquidos agresivos como gasolina o acetona para limpiar el producto.**

Le recomendamos vaciar la cámara de acumulación de vello después de cada sesión de recorte. Cuando recorte barbas tupidas y largas, también puede ser necesario vaciar la cámara de acumulación de vello durante la sesión de recorte, a fin de mantener un rendimiento de succión óptimo.

- 1 Apague el producto y desconéctelo del tomacorriente.
- 2 Limpie la carcasa del producto con un paño seco.
- 3 Retire el peine (Fig. 11) y límpielo con el cepillo de limpieza o enjuáguelo en el grifo (Fig. 19).

**Solo el elemento de corte y los peines pueden limpiarse con agua.**

- 4 Retire el elemento de corte y límpielo en el grifo (Fig. 20). Elimine cuidadosamente el exceso de agua y deje secar al aire completamente.

**Nunca seque el elemento de corte con una toalla o paño, ya que esto puede dañar el dentado de recorte.**

- 5 Agite o cepille los vellos acumulados en la cámara de acumulación de vello (Fig. 21) (Fig. 22). Use la esponja de limpieza para remover los vellos acumulados en las esquinas de la cámara de acumulación de vello.
- 6 Después de la limpieza, vuelva a colocar el elemento de corte (Fig. 23) y el peine (Fig. 9) en el producto.

Este producto no contiene otras piezas que requieran mantenimiento. Para solicitar asistencia, comuníquese al

1-800-243-3050.

## Almacenamiento

- Asegúrese de que el producto esté apagado. Retire el cable del enchufe y del producto antes de guardarlo. Guarde el producto en un lugar seguro y seco donde no pueda aplastarse, golpearse o dañarse.
- No enrolle el cable alrededor del producto para guardarlo.
- Guarde el cable en un lugar seguro donde no sufra cortes ni daños.
- No coloque ni guarde el producto en un lugar desde donde pueda, de algún modo, caerse a una bañera, lavabo o dentro de cualquier recipiente que contenga agua o líquido.

## Desecho

- Este dispositivo posee una batería recargable de litio-ión que debe desecharse apropiadamente. Contacte a sus funcionarios locales o de la ciudad para mayor información acerca del manejo final de la batería. También puede llamar al 1-800-822-8837 (Fig. ) o visitar [www.call2recycle.org](http://www.call2recycle.org) para obtener información sobre dónde desechar baterías.
- Para obtener ayuda visite nuestro sitio web [www.philips.com/support](http://www.philips.com/support) o llame gratuitamente al número 1-800-243-3050.
- Su producto está diseñado y fabricado con materiales y componentes de alta calidad, que pueden ser reciclados y reusados. Para obtener información sobre reciclado, comuníquese con las oficinas locales de manejo de desechos o visite [www.recycle.philips.com](http://www.recycle.philips.com)

## Asistencia

Para asistencia, visite nuestro sitio web:

[www.philips.com/support](http://www.philips.com/support) o llame al número gratuito 1-800-243-3050.

La información en línea está disponible las 24 horas, los siete días de la semana.

## Garantía Total de Dos Años

Philips Electronics North America Corporation garantiza este producto nuevo (excepto cuchillas y peines) contra defectos en los materiales o en la mano de obra por un período de dos años desde la fecha de compra y acepta reparar o reemplazar cualquier producto defectuoso sin cargo.

**IMPORTANTE:** Esta garantía no cubre ningún daño que surja como resultado de un accidente, de un uso indebido o abuso, de la falta de cuidado razonable, del uso de cualquier accesorio no provisto con el producto ni la pérdida de piezas, así como tampoco ningún daño derivado del uso del producto con una tensión o con baterías que no sean las establecidas.\*

**NINGUNA RESPONSABILIDAD ES ASUMIDA POR CUALQUIER DAÑO, INCIDENTAL O RESULTANTE.**

Para obtener el servicio de garantía, simplemente ingrese a [www.philips.com/norelco](http://www.philips.com/norelco) o llame al 1-800-243-3050 para obtener asistencia. Para su protección, se sugiere que el envío de las devoluciones del producto se realice por correo certificado, con seguro prepago. Cualquier daño que ocurra durante el envío no será cubierto por esta garantía.

NOTA:

Philips Electronics North America Corporation no extiende ninguna otra garantía, ni escrita ni oral.

Esta garantía le proporciona derechos legales específicos; asimismo, es posible que goce de otros derechos que pueden variar de estado a estado. En algunos estados no se permite la exclusión o la limitación de los daños fortuitos o resultantes, de modo que es posible que las limitaciones o exclusiones arriba mencionadas no se apliquen a su caso.

\*Lea las instrucciones adjuntas atentamente.

## GARANTÍA DE DEVOLUCIÓN DE SU DINERO POR 45 DÍAS

Si no está completamente satisfecho con su producto, envíelo de regreso y le reembolsaremos el total de la compra.

**El producto debe enviarse por correo certificado pago, con seguro prepago, junto con el recibo original de compra, donde se indique el precio y la fecha de**

**compra, así como el formulario de autorización para la garantía de devolución de dinero.**

**No asumimos ninguna responsabilidad por los paquetes perdidos.**

El paquete del producto debe contar con matasellos que no supere los 45 días a partir de la fecha de compra. Philips se reserva el derecho a verificar el precio de compra del producto y limita los reembolsos al precio de venta minorista sugerido.

**Para obtener el formulario de autorización para la garantía de devolución del dinero, llame al 1-800-243-3050 para obtener asistencia.**

**La entrega del cheque de reembolso ocurrirá de 6 a 8 semanas después de la recepción del producto devuelto.**