



Register your product and get support at  
[www.philips.com/welcome](http://www.philips.com/welcome)

HP8317



User manual

**PHILIPS**

## English

Congratulations on your purchase, and welcome to Philips! To fully benefit from the support that Philips offers, register your product at [www.philips.com/welcome](http://www.philips.com/welcome).

### 1 Important

Read this user manual carefully before you use the appliance and keep it for future reference.

- **WARNING:** Do not use this appliance near water.
- When the appliance is used in a bathroom, unplug it after use since the proximity of water presents a risk, even when the appliance is switched off.
- **WARNING:** Do not use this appliance near bathtubs, showers, basins or other vessels containing water.
- Always unplug the appliance after use.
- If the mains cord is damaged, you must have it replaced by Philips, a



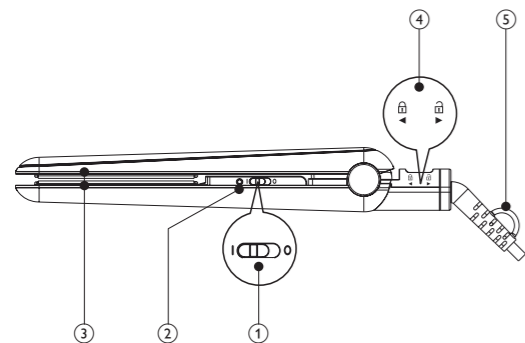
service centre authorised by Philips or similarly qualified persons in order to avoid a hazard.

- This appliance can be used by children aged from 8 years and above and persons with reduced physical, sensory or mental capabilities or lack of experience and knowledge if they have been given supervision or instruction concerning use of the appliance in a safe way and understand the hazards involved. Children shall not play with the appliance. Cleaning and user maintenance shall not be made by children without supervision.
- Before you connect the appliance, ensure that the voltage indicated on the appliance corresponds to the local power voltage.

- Do not use the appliance for any other purpose than described in this manual.
- When the appliance is connected to the power, never leave it unattended.
- Never use any accessories or parts from other manufacturers or that Philips does not specifically recommend. If you use such accessories or parts, your guarantee becomes invalid.
- Do not wind the mains cord round the appliance.
- Wait until the appliance has cooled down before you store it.
- Pay full attention when using the appliance since it could be extremely hot. Only hold the handle as other parts are hot and avoid contact with the skin.

- Always place the appliance with the stand on a heat-resistant, stable flat surface. The hot heating plates should never touch the surface or other flammable material.
- Avoid the mains cord from coming into contact with the hot parts of the appliance.
- Keep the appliance away from flammable objects and material when it is switched on.
- Never cover the appliance with anything (e.g. a towel or clothing) when it is hot.
- Only use the appliance on dry hair. Do not operate the appliance with wet hands.
- Keep the heating plates clean and free of dust and styling products such as mousse, spray and gel. Never use the appliance in combination with styling products.





- The heating plates has ceramic coating. This coating might slowly wear away over time. However, this does not affect the performance of the appliance.
- If the appliance is used on color-treated hair, the heating plates may be stained. Before using it on artificial hair, always consult their distributor.
- Always return the appliance to a service centre authorized by Philips for examination or repair. Repair by unqualified people could result in an extremely hazardous situation for the user.
- Do not insert metal objects into openings to avoid electric shock.

#### Electromagnetic fields (EMF)

This Philips appliance complies with all applicable standards and regulations regarding exposure to electromagnetic fields.

#### Environment

Do not throw away the appliance with the normal household waste at the end of its life, but hand it in an official collection point for recycling. By doing this, you help to preserve the environment.



## 2 Straighten your hair

- 1 Connect the plug to a power supply socket.
- 2 Slide the closing lock ( 4 ) to unlock the appliance
- 3 Slide the on/off switch ( 1 ) to **I** to switch on the appliance.
  - ↳ The power-on indicator ( 2 ) lights up.
  - ↳ After 30 seconds, the appliance heats up.
  - ↳ The ion function activates when the appliance is switched on. The function provides additional shine and reduces frizz.
- 4 Comb your hair and take a section that is not wider than 5cm for straightening.
- 5 Place the hair between the straightening plates ( 3 ) and press the handles together:
  - The ceramic plates of the straightener have been infused with keratin and jojoba oil to give your hair a silky smooth feeling.
- 6 Slide the straightener down the length of the hair in a single motion (max. 5 seconds) from root to end, without stopping to prevent overheating.
  - To create flicks, turn the straightener half-circle inwards (or outwards) when it reaches the hair ends. Hold the straightener in that position for 2 to 3 seconds, and then release it.
- 7 To straighten the rest of your hair, repeat steps 4 to 6.

#### After use:

- 1 Switch off the appliance and unplug it.
- 2 Place it on a heat-resistance surface until it cools down.
- 3 Clean the appliance and straightening plates by damp cloth.
- 4 Lock the straightening plates ( 4 ).
- 5 Keep it in a safe and dry place, free of dust. You can also hang it with the hanging loop ( 5 ).

## 3 Guarantee and service

If you need information e.g. about replacement of an attachment or if you have a problem, please visit the Philips website at [www.philips.com](http://www.philips.com) or contact the Philips Customer Care Centre in your country (you find its phone number in the worldwide guarantee leaflet). If there is no Consumer Care Centre in your country, go to your local Philips dealer.



Specifications are subject to change without notice  
© 2014 Koninklijke Philips N.V.  
All rights reserved.

3140 035 39521

