

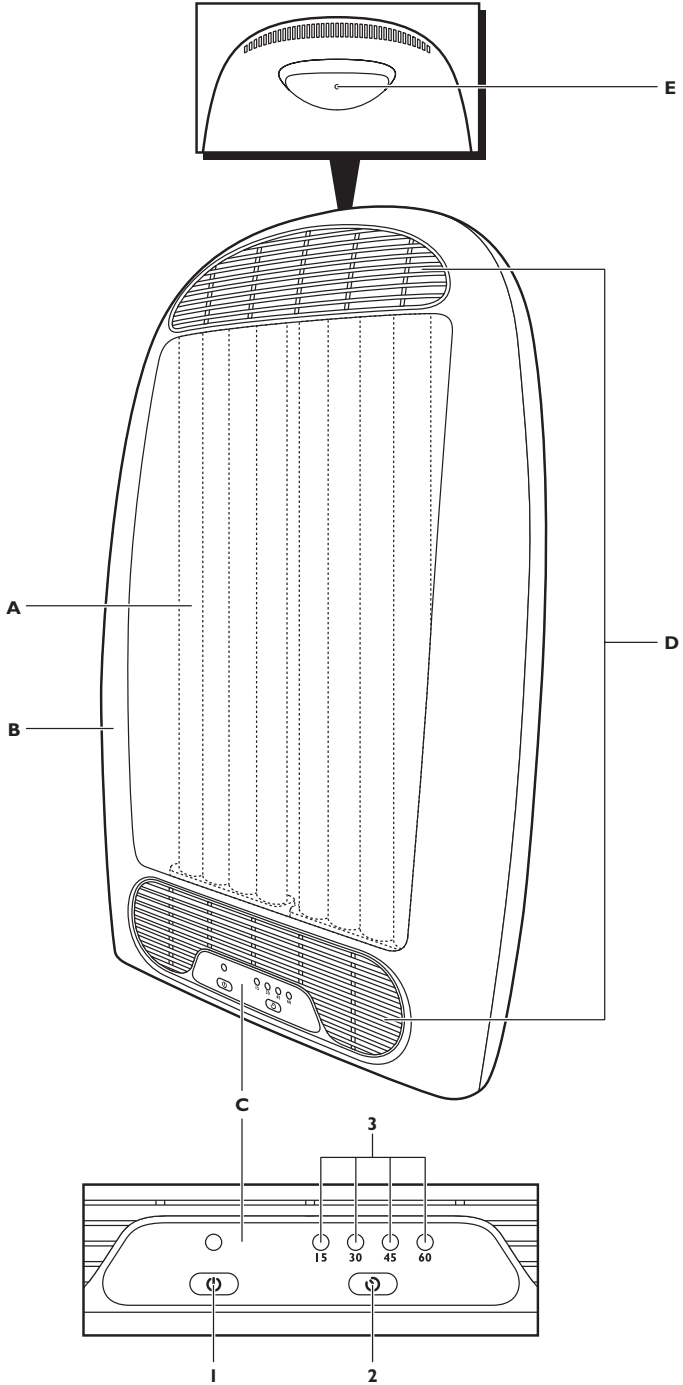
Register your product and get support at
www.philips.com/welcome

HF3310



PHILIPS





Important

Read this user manual carefully before you use the appliance and save it for future reference.

Danger

- Water and electricity are a dangerous combination. Do not use this appliance in wet surroundings (e.g. in the bathroom or near a shower or swimming pool).

Warning

- Check if the voltage indicated on the appliance corresponds to the local voltage before you connect the appliance.
- If the power cord is damaged, do not use the appliance. Call 1-866-832-4361 for assistance.
- Close supervision is necessary when this appliance is used by, or near children or invalids.
- Children should be supervised to ensure that they do not play with the appliance.

Caution

- Always unplug the appliance after use.
- Place the appliance on a stable, level and non-slippery surface.
- Do not place any object on top of appliance.
- Never use the appliance if the lamp housing or cover is damaged, broken or missing.
- To prevent possible damage to the cord, do not wrap cord around the appliance.
- Make sure the vents in the top and in the bottom of the appliance remain open during use.
- Do not use the appliance in a room that is not illuminated by any other lamp, as this may cause eyestrain. Use the light of this appliance as an addition to the normal light (sunlight, electric light) in your home.
- Do not look straight into the light too long, as this may be uncomfortable for your eyes.
- Consult your doctor before you start using the Philips briteLITE energy light if:
 - 1 you suffer or have suffered from severe depression;
 - 2 you are hypersensitive to light (e.g. due to diabetes or epilepsy);
 - 3 you have an eye complaint;
 - 4 you are on specific medication (i.e. certain antidepressants, psychotropic drugs or malaria tablets);
 - 5 you have high blood pressure.
- If use of the appliance causes you to become too active, we advise you to reduce the exposure to bright light. If there is no improvement, consult your doctor.
- If you feel exhausted, distressed or restless and/or suffer from sleeping problems (e.g. insomnia) after you have used the appliance, we advise you to consult your doctor.
- Use this appliance for its intended household use as described in this manual. Do not use attachments not recommended by Philips Electronics North America Corporation.

General

- The duration of the light exposure depends on the distance at which the appliance is used. See chapter 'Using the appliance' for the appropriate distance and duration.
- After the first few light exposures, you may experience some eye strain and/or a light headache. These side effects tend to disappear quickly.
- Learn more about your briteLITE energy light at www.philips.com/briteLITE

SAVE THESE INSTRUCTIONS

Introduction

Congratulations on your purchase and welcome to Philips! To fully benefit from the support that Philips offers, register your product at www.philips.com/welcome.

This appliance helps to counteract the tiredness, low spirits and lack of energy that many people experience in fall and winter, when the days are darker and shorter. These symptoms are often referred to as the winter blues.

briteLITE energy light and the winter blues

The winter blues are characterized by a combination of the following symptoms: tiredness, lack of energy and trouble getting out of bed in the morning. The winter blues occur during the darker period of the year, i.e. from September until March. More than 60% of the population is troubled by the winter blues. Many health experts agree that the winter blues can be counteracted by exposure to bright light. 'Bright light' means daylight with a certain intensity. In winter, the outdoor light intensity is often much lower than in summer: on a gloomy winter day the light intensity varies between 2,500 and 10,000 lux, whereas this may be as much as 100,000 lux on a bright summer day. Moreover, in winter most people spend a lot of time indoors, either at home or at work, where artificial light often has an intensity of as little as 500 lux and sometimes even less. Philips has developed this special lighting appliance for winter blues. This appliance allows you to safely get the amount of light you need to combat the winter blues. Exposure to a personal energy light is generally accepted as one of the safest and most effective ways of fighting the winter blues.

General description (Fig. 1)

- A** Lamp
- B** Lamp housing
- C** Control panel
 - 1 On/off button with power-on light
 - 2 Timer button
 - 3 Timed lights
- D** Vents
- E** Handle

Using the appliance

- It is advisable to start using the briteLITE energy light as soon as you feel the winter blues coming on or when you feel like you need extra light.
- Preferably take your light exposures between 6 o'clock in the morning and 8 o'clock in the evening. (Fig. 2)
- Visit www.lighttherapy.com for a free assessment and to customize a light exposure time schedule just for you.

- 1** Place the appliance on a level surface such as a counter, table or desk.
- 2** Put the plug in the electrical outlet.
- 3** Press the on/off button to turn on the appliance (Fig. 3).
 - The lamp goes on.
 - The power-on light and the 45-minute timed light indicator go on.
- 4** Press the timer button repeatedly to select the light exposure time of your preference (Fig. 4).
 - The timed lights stay on to the selected light time.

Note: You can select a light time of 15, 30, 45 or 60 minutes.

Note: The default light time is 45 minutes.

- When the selected light time has elapsed, the lamp switches off automatically.

Duration

The advisable duration of the light exposure depends on the distance at which the appliance is used:

- approx. 15 minutes at a distance of 13in/33cm
- approx. 30 minutes at a distance of 20in/50cm
- approx. 45 minutes at a distance of 30in/75cm
- approx. 60 minutes at a distance of 40in/100cm

Note: Usage duration varies depending on your needs. Most people obtain best results using the briteLITE energy light about 30 minutes per session at a distance of about 20-30in/50-75cm.

5 Position yourself near the appliance and place the lamp at a 45° angle so you can comfortably look in the direction of the light (Fig. 5).

Make sure there is a distance of at least 13in/33cm between your face and the briteLITE energy light.

- You do not need to sit right in front of the appliance.
- For the best results, place the briteLITE energy light on a surface at the same level as your midriff (stomach area), e.g. place it on the table at which you are sitting.
- You do not have to take the whole light exposure without interruption. If it suits your schedule better, you can interrupt your light exposure and continue later.
- You can read, eat, work at the computer, watch TV, exercise or perform other tasks while you use your briteLITE energy light.

Note: Do not stare into the light. It is sufficient that the light reaches your eyes indirectly from the side.

- Use your briteLITE energy light in a well-lit room to minimize eye strain.

6 Look into the light every now and then.

Do not look into the light continuously. You can simply engage in other activities such as reading, writing, or handicraft while taking a light exposure and look into the light every now and then.

7 Repeat the light exposures until you feel better.

Generally, improvements occur within 1 week. After then, you can reduce your light time to maintain your desired results.

8 You may repeat the light exposure as often as you like during the dark period of the year. Take a light exposure for at least 5 successive days.

9 After use, remove the plug from the electrical outlet.

Cleaning

Clean the appliance and inside the lens at least once a year.

Do not attempt to remove the reflector and lamps.

Never immerse the appliance in water or any other liquid, nor rinse it under the faucet.

Never use scouring pads, abrasive cleaning agents or aggressive liquids such as petrol or acetone to clean the appliance.

- 1 Switch off the appliance and unplug it.
- 2 Clean the outside of the appliance with a dry cloth.
- 3 To clean the inside of the appliance, remove the four screws at the back of the appliance that are marked with a (+) with a screwdriver.
- 4 Remove the front lens.
- 5 Tilt the appliance forward (1) and wipe away any dust from the lamps and the reflector with a damp cloth (2).

6 Wipe the front lens with a damp cloth.

7 Reassemble the front lens and reattach the screws with a screwdriver.

Note: Make sure the lamps, the reflector and the front lens are completely dry before you reassemble the front lens.

This appliance has no other user-serviceable parts. For assistance call 1-866-832-4361.

Storage

- If the appliance will not be used for an extended period of time, remove cord from outlet and store in a safe, dry location where it will not be crushed, banged, or subject to damage.
- Do not wrap cord around the appliance when storing.

Disposal

- Dispose of the device in accordance with local regulations.
- Your local or national recycling organizations may also have disposal information.
- For assistance call 1-866-832-4361.

Assistance

For assistance call toll free: 1-866-832-4361 or visit our website:
www.philips.com/briteLITE

45-Day Money-Back Guarantee

If you are not fully satisfied with your Philips briteLITE energy light, send the product back along with the original dated sales receipt and we will refund you the full purchase price.

The briteLITE energy light must be shipped prepaid by insured mail, insurance prepaid, and have the original sales receipt, indicating purchase price and the date of purchase, enclosed. We cannot be responsible for lost mail. The briteLITE energy light must be postmarked no later than 45 days after the date of purchase. Philips reserves the right to verify the purchase price of the briteLITE energy light and limit refunds not to exceed suggested retail price.

To obtain Money-Back Guarantee Return Authorization Form, call 1-866-832-4361. Please allow 4-6 weeks for delivery of the check.

Full Two-Year Warranty

Philips Electronics North America Corporation (USA) and Philips Electronics Ltd (CANADA) warrant each new Philips product, model HF3310 against defects in materials or workmanship for a period of two years from the date of purchase, and agree to repair or replace any defective product without charge. **IMPORTANT:** This warranty does not cover damage resulting from accident, misuse or abuse, lack of reasonable care, or the affixing of any attachment not provided with the product. **NO RESPONSIBILITY IS ASSUMED FOR ANY SPECIAL, INCIDENTAL OR CONSEQUENTIAL DAMAGES.** In order to obtain warranty service, simply call toll-free 1-866-832-4361.

In US Manufactured for: Philips Consumer Lifestyle, A Division of Philips Electronics North America Corporation, 1600 Summer Street – 5th Floor, Stamford, CT 06905-5125

In Canada Imported for: Philips Electronics LTD, 281 Hillmount Road, Markham, Ontario L6C 2S3

Trademarks owned by the Philips Group.

© 2009 Koninklijke Philips Electronics N.V. All Rights Reserved.

Frequently asked questions

This chapter lists the questions most frequently asked about the appliance. If you cannot find the answer to your question, call 1-866-832-4361 for assistance.

Question	Answer
Can I look directly at the appliance when it is switched on?	Yes, you can look into the light every now and then, but we advise you not to look into the light continuously. It is sufficient to sit close to the lamp.
Are there any side effects to using the briteLITE energy light?	During the first few days of use, some people may experience minor headaches or strained or watery eyes. These symptoms generally disappear within a few days. If not, consult your doctor before you proceed with your light exposure.
How often should I use the briteLITE energy light?	We recommend that you start taking daily light exposures for 5 to 7 days in a row, preferably in the morning. Most people start to feel more energetic within 5 days. If you do not notice any improvement within that time, continue using the briteLITE energy light for another 7 to 14 days and make the sessions longer. Do not give up too soon, since it may take up to 2 weeks before you notice any significant improvement. However, if using the briteLITE energy light causes you to become too active, we advise you to reduce the light exposure.
Can I use the briteLITE energy light if I am on medication?	If you are on prescribed medication, we advise you to consult your doctor first before you use the briteLITE energy light or use any other form of light. Certain medicines cannot be used in combination with light exposure. Anti-depressants combined with light exposure may result in eye damage.
Can I use the briteLITE energy light if I have eye problems?	If you have eye problems, you should consult your doctor or ophthalmologist before you use the briteLITE energy light or undergo any other form of light. There are certain eye and eye-related conditions that may respond unfavorably to light.

Question	Answer
Can I use the briteLITE energy light if I have a skin allergy?	If you are allergic to light or have a diagnosed chronic skin disease, it is safest to consult your doctor before you use the briteLITE energy light or undergo any other form of light.
Can I use the briteLITE energy light during pregnancy?	Yes, there are no known side effects from using the briteLITE energy light during pregnancy.
Can I use the briteLITE energy light if I am allergic to light?	If you are allergic to light, we recommend that you consult your doctor before you use the briteLITE energy light or use any other form of light.
Is it harmful to sit in front of a switched-on briteLITE energy light for a prolonged period of time?	No, using the briteLITE energy light longer than the recommended time is not harmful. However, do not use the light after 8 p.m.
Do I have to wear any sunscreen lotion?	No, the briteLITE energy light is not a tanning device. It has a special screen that filters out all UV rays; it is therefore safe for your skin and does not give you a tan. If you use the briteLITE energy light in accordance with the instructions in the user manual, you do not have to worry about tanning or other skin reactions.

Important

Lisez attentivement ce mode d'emploi avant d'utiliser l'appareil et conservez-le pour un usage ultérieur.

Danger

- L'eau et l'électricité forment une dangereuse combinaison. N'utilisez pas cet appareil près de l'eau (par exemple, dans la salle de bain ou près d'une piscine).

Avertissement

- Avant de brancher l'appareil, vérifiez si la tension qui y est indiquée correspond à celle du réseau électrique local.
- Si le câble d'alimentation est endommagé, n'utilisez pas l'appareil. Pour obtenir de l'aide, composez le 1-866-832-4361.
- Une surveillance attentive est nécessaire lorsque ce produit est utilisé par ou à proximité d'enfants ou de personnes handicapées.
- Les enfants doivent être surveillés pour s'assurer qu'ils ne s'amuse pas avec l'appareil.

Mise en garde

- Débranchez toujours l'appareil immédiatement après son utilisation.
- Placez l'appareil sur une surface stable, plane et non glissante.
- Ne placez pas d'objets sur l'appareil.
- N'utilisez pas l'appareil si le boîtier de la lampe ou le couvercle est endommagé, cassé ou manquant.
- Afin d'éviter d'endommager le câble, ne l'enroulez pas autour de l'appareil.
- Assurez-vous que les grilles d'aération supérieure et inférieure ne sont pas obstruées durant l'utilisation.
- Pour éviter la fatigue oculaire, n'utilisez pas l'appareil dans une pièce qui n'est pas éclairée par une autre lampe. Cette lampe doit être utilisée à l'intérieur sous un éclairage normal (lumière du soleil ou éclairage artificiel).
- Éviter de fixer la lumière émise par la lampe afin de ne pas fatiguer vos yeux.
- Avant d'utiliser la lampe de photothérapie Philips briteLITE, consultez votre médecin si :
 - 1 vous souffrez ou avez souffert d'une grave dépression;
 - 2 vous êtes hypersensible à la lumière (p. ex., en raison du diabète ou de l'épilepsie);
 - 3 vous souffrez de troubles oculaires;
 - 4 vous prenez certains médicaments (antidépresseurs, psychotropes ou antipaludéens);
 - 5 vous souffrez d'hypertension artérielle.
- Si l'utilisation de la lampe vous rend trop fébrile, réduisez votre exposition à la lumière intense. Si la lampe n'améliore pas votre état, consultez votre médecin.
- Si vous êtes épuisé, tourmenté, agité ou si vous faites de l'insomnie après avoir utilisé la lampe, consultez votre médecin.
- Utilisez la lampe uniquement pour l'usage domestique auquel elle est destinée, tel que décrit dans le présent mode d'emploi. N'utilisez pas d'accessoires non recommandés par Philips Electronics North America Corporation.

Généralités

- La durée d'exposition à la lampe dépend de la distance à laquelle celle-ci est utilisée. Pour connaître la distance et la durée d'exposition appropriées, reportez-vous à la section Utilisation de la lampe.
- Après les premières utilisations de la lampe, il est possible que vous ressentiez de la fatigue oculaire ou un léger mal de tête. Ces effets secondaires devraient disparaître rapidement.

- Pour en savoir davantage sur la lampe de photothérapie briteLITE, visitez le site www.philips.com/briteLITE.

CONSERVEZ CES INSTRUCTIONS

Introduction

Nous vous félicitons de votre achat et vous souhaitons la bienvenue chez Philips! Pour profiter pleinement du soutien de Philips, enregistrez votre produit à l'adresse www.philips.com/welcome. Cette lampe contribue à éliminer la fatigue, la lassitude et le manque d'énergie dont souffrent de nombreuses personnes durant l'automne et l'hiver, alors que les journées sont moins ensoleillées et plus courtes. Ces symptômes sont souvent appelés déprime saisonnière.

La lampe briteLITE et la déprime saisonnière

La déprime saisonnière est une combinaison de différents symptômes, notamment la lassitude, le manque d'énergie et de la difficulté à se lever le matin. Elle survient durant la période la moins ensoleillée de l'année, soit de septembre à mars. Plus de 60 % de la population souffre de déprime saisonnière. De nombreux experts de la santé croient qu'elle peut être combattue par une exposition à une lumière intense. Par « lumière intense », on entend une lumière naturelle d'une certaine intensité. En hiver, la lumière du jour est généralement beaucoup moindre qu'en été; elle peut varier de 2,500 à 10,000 lux lors d'une journée sombre, alors qu'elle peut atteindre 100,000 lux durant une belle journée d'été. De plus, la plupart des gens passent beaucoup de temps à l'intérieur en hiver et, que ce soit à la maison ou au travail, l'éclairage artificiel atteint rarement 500 lux, parfois encore moins. Philips a développé cette lampe de photothérapie spécialement pour contrer les effets de la déprime saisonnière. Elle permet d'être exposé en toute sécurité à l'intensité de lumière requise pour combattre la déprime saisonnière. Une lampe de photothérapie est l'un des moyens les plus sûrs et les plus efficaces pour lutter contre la déprime saisonnière.

Description générale (Fig. 1)

- A** Lampe
- B** Boîtier
- C** Panneau de commande
 - 1 Bouton marche-arrêt avec voyant de marche
 - 2 Bouton de minuterie
 - 3 Voyants de minuterie
- D** Grilles d'aération
- E** Poignée

Utilisation de la lampe

- Il est recommandé de commencer à utiliser la lampe briteLITE dès les premiers symptômes de déprime saisonnière, ou lorsque vous sentez que vous manquez de lumière.
- Utilisez la lampe de préférence entre 6 h et 20 h. (Fig. 2)
- Pour obtenir une évaluation sans frais et un horaire d'exposition adapté à vos besoins, visitez le site www.lighttherapy.com.

- 1** Placez la lampe sur une surface plane comme un comptoir, une table ou un bureau.
- 2** Branchez la lampe sur une prise.
- 3** Appuyez sur le bouton marche-arrêt (Fig. 3).
 - La lampe s'allume.
 - Les voyants de marche et de minuterie de 45 minutes s'allument.
- 4** Appuyez plusieurs fois sur le bouton de minuterie pour choisir la durée d'exposition voulue (Fig. 4).

- Les voyants de minuterie demeurent allumés pour indiquer la durée choisie.

Remarque: vous pouvez sélectionner une période d'exposition de 15, 30, 45 ou 60 minutes.

Remarque: la durée d'exposition par défaut est 45 minutes.

- Une fois la durée d'exposition terminée, la lampe s'éteint automatiquement.

Durée d'exposition

La durée d'exposition à la lampe dépend de la distance à laquelle celle-ci est utilisée :

- approx. 15 minutes à une distance de 33 cm (13 po)
- approx. 30 minutes à une distance de 50 cm (20 po)
- approx. 45 minutes à une distance de 75 cm (30 po)
- approx. 60 minutes à une distance de 1 m (40 po)

Remarque: la durée d'exposition variera selon vos besoins. La plupart des gens obtiennent les meilleurs résultats avec une exposition de 30 minutes par séance à une distance de 50 à 75 cm (20-30 po).

- 5** Placez-vous près de la lampe et inclinez celle-ci à un angle d'environ 45 degrés, de façon à pouvoir regarder dans sa direction sans être aveuglé (Fig. 5).

Maintenez toujours une distance d'au moins 33 cm (13 po) entre votre visage et la lampe briteLITE.

- Il n'est pas nécessaire de s'asseoir devant la lampe.
- Pour de meilleurs résultats, placez la lampe briteLITE à la hauteur de votre ventre, par exemple, sur le bureau devant lequel vous êtes assis.
- Il n'est pas nécessaire d'être exposé durant toute la durée choisie sans interruption. Si vous préférez, vous pouvez interrompre la séance et la poursuivre plus tard.
- Pendant que vous utilisez la lampe de photothérapie briteLITE, vous pouvez lire, manger, travailler à l'ordinateur, regarder la télévision, faire de l'exercice, etc.

Remarque: ne fixez pas la lumière émise par la lampe. La lumière indirecte qui parvient à vos yeux est suffisante.

- Pour réduire la fatigue oculaire, utilisez la lampe briteLITE dans une pièce bien éclairée.

- 6** De temps en temps, fixez directement la lumière de la lampe pendant quelques secondes.

Ne regardez pas la lumière continuellement. Vaquez simplement à vos occupations durant l'exposition, en regardant la lumière de temps à autre.

- 7** Répétez les séances d'exposition jusqu'à ce que vous vous sentiez mieux.

Normalement, vous devriez constater une amélioration de votre humeur après une semaine.

Ensuite, vous pourrez réduire la durée d'exposition ou le nombre de séances tout en continuant à bénéficier des résultats voulus.

- 8** Pendant l'automne et l'hiver, vous pouvez utiliser la lampe aussi souvent que vous le voulez. Utilisez la lampe pendant au moins cinq jours consécutifs.

- 9** Après chaque séance, débranchez la lampe.

Nettoyage

Nettoyez la lampe et l'intérieur de la lentille au moins une fois par année.

N'essayez pas d'enlever le réflecteur ou les ampoules.

Ne plongez jamais la lampe dans l'eau ou tout autre liquide, et ne la rincez pas sous le robinet.

Pour nettoyer la lampe, n'utilisez jamais de tampons à récurer, de nettoyeurs abrasifs ou de produits puissants tels que de l'essence ou de l'acétone.

- 1** Éteignez la lampe et débranchez-la.

- 2** Nettoyez l'extérieur de la lampe à l'aide d'un chiffon sec.

- 3** Pour nettoyer l'intérieur, retirez les quatre vis marquées du symbole (+) à l'arrière de la lampe.
- 4** Retirez la lentille.
- 5** Inclinez la lampe vers l'avant (1) et essayez la poussière déposée sur les ampoules et sur le réflecteur avec un chiffon humide (2).
- 6** Essuyez la lentille avec un chiffon humide.
- 7** Réinstallez la lentille et resserrez les vis.

Remarque: avant de réinstaller la lentille, assurez-vous que celle-ci, le réflecteur et les ampoules sont complètement secs.

Cette lampe ne contient aucune pièce pouvant être réparée par l'utilisateur. Pour obtenir de l'aide, composez le 1-866-832-4361.

Entreposage

- Si vous ne prévoyez pas utiliser la lampe pour une longue période, débranchez-la et rangez-la dans un endroit sec et à l'abri des chocs.
- N'enroulez pas le câble d'alimentation autour de la lampe au moment de l'entreposage.

Mise au rebut

- Pour la mise au rebut de la lampe, conformez-vous à la réglementation en vigueur dans votre région.
- Vous pouvez vous renseigner auprès des organismes de recyclage régionaux ou nationaux.
- Pour obtenir de l'aide, composez le 1-866-832-4361.

Assistance

Pour obtenir de l'aide, appelez sans frais au 1-866-832-4361, ou consultez notre site Web à l'adresse www.philips.com/briteLITE.

Garantie de remboursement de 45 jours

Si vous n'êtes pas pleinement satisfait de votre lampe de photothérapie Philips briteLITE, vous pouvez nous la retourner avec le reçu d'achat daté pour obtenir un remboursement complet. Si vous retournez la lampe, elle doit être expédiée par envoi assuré port payé avec le reçu original indiquant le prix et la date de l'achat. Nous ne sommes pas responsables des envois postaux perdus. La lampe doit être reçue dans les 45 jours suivant la date d'achat. Philips se réserve le droit de vérifier le prix d'achat indiqué sur le reçu et de limiter le montant du remboursement au prix de détail suggéré.

Pour obtenir un formulaire d'autorisation de retour en vertu de la garantie de remboursement, composez le 1-866-832-4361. Veuillez prévoir de quatre à six semaines avant de recevoir votre remboursement.

Garantie complète de deux ans

Philips Electronics North America Corporation (États-Unis) et Philips Electronics Ltd (Canada) garantit chaque lampe Philips modèle HF3310 contre tout défaut de fabrication et de main-d'œuvre pendant une période de deux (2) ans à compter de la date d'achat et s'engage à réparer ou remplacer sans frais toute lampe HF3310 défectueuse durant cette période. IMPORTANT: cette garantie ne couvre pas les dommages causés par un accident, un usage abusif, un manque d'entretien ou l'ajout d'accessoires non fournis avec le produit. PHILIPS NE PEUT ÊTRE TENUE

RESPONSABLE DES DOMMAGES SPÉCIAUX, ACCESSOIRES OU INDIRECTS. Pour vous prévaloir des services offerts dans le cadre de la garantie, composez sans frais le 1-866-832-4361.

Aux États-Unis, fabriquée pour: Philips Consumer Lifestyle, une Division de Philips Electronics North America Corporation, 1600 Summer Street – 5th Floor, Stamford, CT 06905-5125

Au Canada, importée pour : Philips Electronics LTD, 281 Hillmount Road, Markham, Ontario L6C 2S3

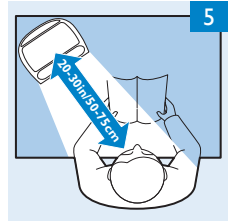
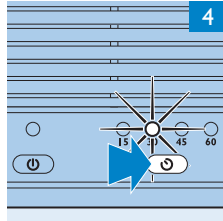
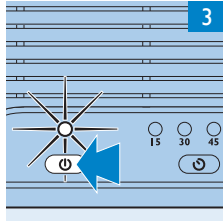
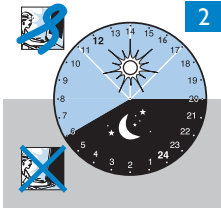
Les marques de commerce sont la propriété du Philips Group.
© Koninklijke Philips Electronics N.V., 2009. Tous droits réservés.

Foire aux questions

Cette section contient la liste des questions les plus fréquentes au sujet de la lampe de photothérapie Philips briteLITE. Si vous ne trouvez pas de solution à votre problème, composez le 1 866 832-4361.

Question	Réponse
Puis-je regarder directement la lumière émise par la lampe?	Oui, mais seulement de temps en temps et pour de courtes périodes. Être assis près de la lampe est suffisant pour bénéficier de ses bienfaits.
Est-ce que l'utilisation de la lampe de photothérapie briteLITE provoque des effets secondaires?	Durant les premiers jours d'utilisation, certaines personnes peuvent avoir de légers maux de tête ou des larmoiements. Ces symptômes sont normaux et disparaissent généralement après quelques jours. Si vous éprouvez ces symptômes et qu'ils persistent après quelques jours d'utilisation, cessez d'utiliser la lampe et consultez votre médecin.
À quelle fréquence dois-je utiliser la lampe briteLITE?	Nous recommandons des séances quotidiennes pendant 5 à 7 jours consécutifs, préférablement le matin. La plupart des gens commencent à avoir plus d'énergie dans les cinq jours. Si vous ne sentez aucune amélioration durant cette période, prolongez les séances et continuez à utiliser la lampe durant 7 à 14 jours. L'important est de ne pas abandonner trop tôt, car il peut s'écouler jusqu'à deux semaines avant de constater une amélioration significative. Cependant, si l'utilisation de la lampe briteLITE vous rend trop agité, réduisez la durée ou le nombre des séances.
Puis-je utiliser la lampe de photothérapie briteLITE si je prends des médicaments?	Si vous prenez des médicaments sur ordonnance, consultez votre médecin avant d'utiliser la lampe briteLITE ou toute autre lampe de photothérapie. Certains médicaments sont contre-indiqués en photothérapie. Par exemple, les personnes qui prennent des anti-dépresseurs et qui utilisent une lampe de photothérapie peuvent subir des dommages aux yeux.
Puis-je utiliser la lampe briteLITE si je souffre de problèmes oculaires?	Consultez votre médecin ou un ophtalmologiste avant d'utiliser la lampe briteLITE ou toute autre lampe de photothérapie. Certains problèmes oculaires peuvent être aggravés par la photothérapie.
Puis-je utiliser la lampe briteLITE si je souffre d'allergie cutanée?	Si vous êtes allergique à la lumière ou atteint d'une maladie cutanée chronique, consultez votre médecin avant d'utiliser la lampe briteLITE ou toute autre lampe de photothérapie.

Question	Réponse
Puis-je utiliser la lampe briteLITE durant ma grossesse?	Oui. La lampe briteLITE ne provoque aucun effet secondaire connu chez les femmes enceintes.
Puis-je utiliser la lampe briteLITE si je souffre d'allergie à la lumière?	Consultez votre médecin avant d'utiliser la lampe briteLITE ou toute autre lampe de photothérapie.
Est-il dangereux d'être assis devant la lampe briteLITE durant une longue période?	Non. Vous pouvez utiliser la lampe plus longtemps que les périodes d'exposition recommandées sans aucun danger. Par contre, évitez de l'utiliser après 20 h.
Est-ce que je dois appliquer de la crème solaire avant d'utiliser la lampe?	Non. La lampe de photothérapie briteLITE n'est pas une lampe de bronzage. Elle est dotée d'un filtre qui bloque tous les rayons ultraviolets, ce qui protège la peau et ne favorise pas le bronzage. Si vous utilisez la lampe de photothérapie briteLITE conformément aux instructions, vous n'avez pas à vous soucier du bronzage ou des réactions cutanées.





www.philips.com



4222.002.7507.1