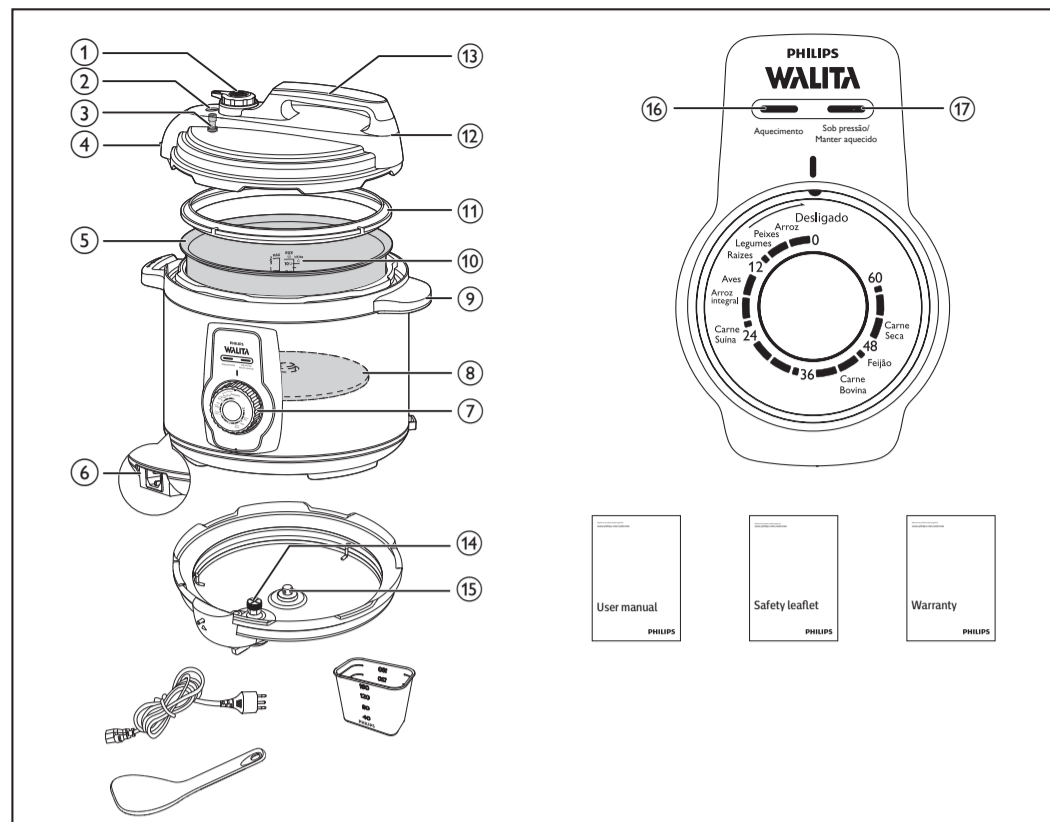




EN User manual PT-BR Manual do Usuário

What's in the box Conteúdo da caixa



CIC Centro de Informações
ao Consumidor
Grande SP: (11) 2121 0203
Demais localidades: 0800 701 0203

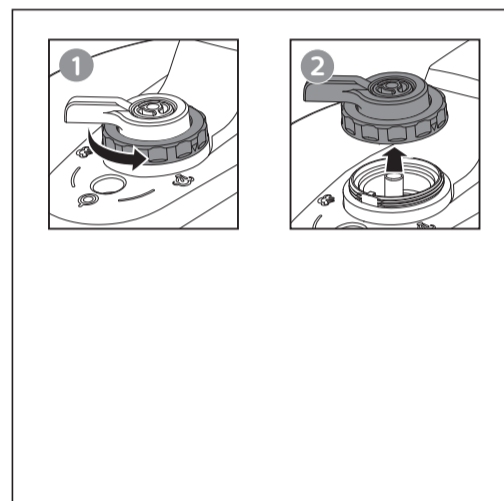
PHILIPS and the Philips Shield Emblem are registered trademarks of Koninklijke Philips N.V. and are used under license. This product has been manufactured by and is sold under the responsibility of Versuni Holding B.V., and Versuni Holding B.V. is the warrantor in relation to this product. 2023 © Versuni Holding B.V.



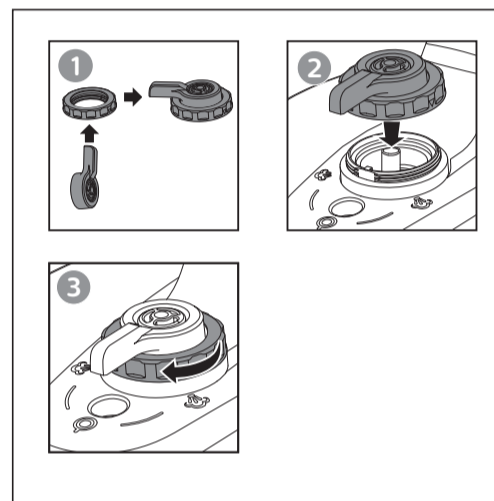
6608.000.0544.8 (31/05/2023)



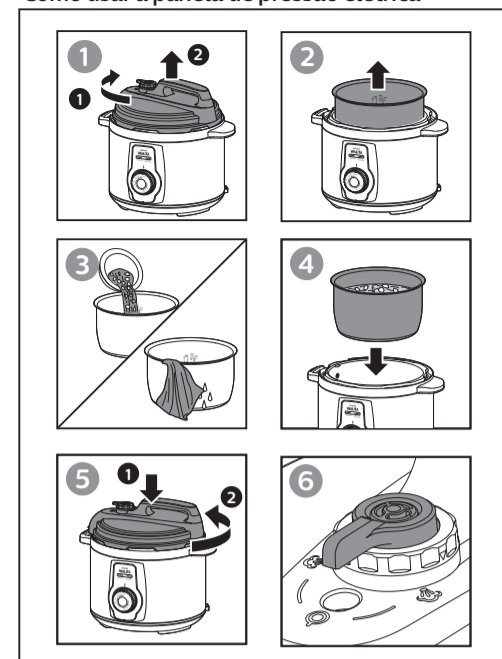
**To disassemble the pressure regulator valve
Para desmontar a válvula reguladora de pressão**



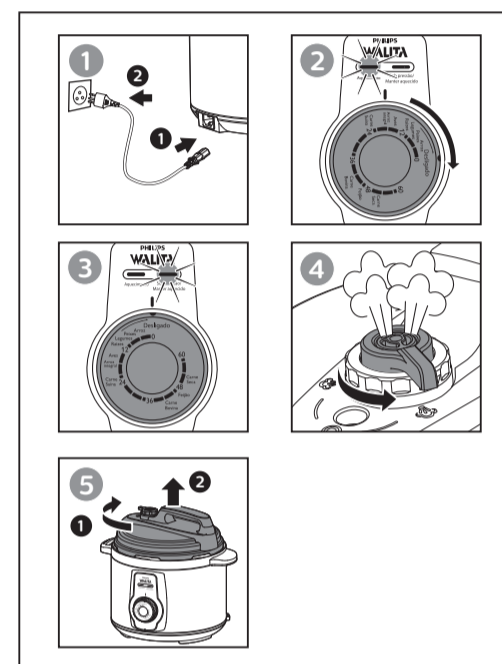
**To assemble the pressure regulator valve
Para montar a válvula reguladora de pressão**



**Using the electric pressure cooker
Como usar a panela de pressão elétrica**



**Cooking food
Cozinhar alimentos**



English

1 Your electric pressure cooker

Congratulations on your purchase, and welcome to Philips! To fully benefit from the support that Philips offers, register your product at www.philips.com/welcome.

2 What's in the box

Electric pressure cooker main unit Rice & Soup ladle
Measuring cup User manual
Power cord Warranty card
Safety leaflet Recipe
Service list

Overview

① Pressure regulator valve	⑩ Water level indications
② Floating valve	⑪ Sealing ring
③ Floater	⑫ Top lid
④ Locking pin	⑬ Lid handle
⑤ Inner pot	⑭ Anti-block cap
⑥ Power socket	⑮ Safety valve
⑦ Control knob	⑯ Heating indicator
⑧ Heating element	⑰ Keep pressure/Keep warm indicator
⑨ Side handle	

3 Before first use

- 1 Remove all packaging materials from the appliance.
- 2 Take out all the accessories from the inner pot.
- 3 Clean the parts of the electric pressure cooker thoroughly before using it for the first time (see chapter "Cleaning and Maintenance").

Note

- Make sure all parts are completely dry before you start using the electric pressure cooker.

4 Using the electric pressure cooker

Before using the electric pressure cooker to cook food, you need to follow below preparations:

- 1 Hold the lid handle and turn it clockwise until the top lid cannot move any more, then lift up the top lid.
- 2 Take out the inner pot from the electric pressure cooker and put the prewashed food in the inner pot.
- 3 Put the inner pot back into the electric pressure cooker.
- 4 Place the top lid onto the electric pressure cooker and turn it anti-clockwise. You will hear a "click" sound when the top lid is properly locked.
- 5 Turn the pressure control valve to the "Cooking with pressure" position (Cozinhar com pressão).

Note

- To braise, fry or bake food, turn the pressure control valve to the "Cooking without pressure" position (Cozinhar sem pressão).
- Make sure the sealing ring is properly assembled around the inside of the top lid.
- Make sure the pressure regulator valve and floating valve are clean and not blocked.
- Make sure the outside of the inner pot is dry and clean, and that there is no foreign residue on the heating element or the magnetic switch.
- Make sure the inner pot is in proper contact with the heating element.

Cooking food

Note

- Do not fill the inner pot with less than 1/3 or more than 2/3 full of food and liquid.
- For food that expands during cooking, do not fill the inner pot with more than 1/2 full of food and liquid.
- For rice cooking, follow the water level indications on the inside of the inner pot. You can adjust the water level for different types of rice and your own preference. Do not exceed the quantities indicated on the inside of the inner pot.
- Make sure the floater falls down before cooking.

- 1 Follow the preparation steps in "Using the electric pressure cooker".
- 2 Put the plug in the power socket.
→ The "Heating" indicator (Aquecimento) lights up.
→ The electric pressure cooker starts heating and pressurizing.
- 3 Turn the control knob clockwise to choose the pressure keeping time.
- 4 When the electric pressure cooker reaches the working pressure, the Heating indicator (Aquecimento) turns off and the Keep Pressure/Keep warm indicator (Sob pressão/ Manter aquecido) lights up in the color of orange.
→ The electric pressure cooker enters pressure keeping mode.
- 5 When the pressure keeping time has elapsed, the control knob will be at the Off position (Desligado), and the electric pressure cooker automatically switches to keep warm mode.
→ The Keep pressure/Keep warm indicator (Sob pressão/ Manter aquecido) changes its color from orange to green.
- 6 Turn the pressure regulator valve to the "Release pressure" position ().
→ The electric pressure cooker starts releasing pressure.
→ The floater drops when the pressure is released sufficiently.
- 7 Hold the top lid handle and turn the lid clockwise until it cannot move any more, then lift it up.

Note

- When cooking soup or viscous liquid, do not release pressure by turning the pressure regulator valve to the steam vent position, otherwise liquid might spurt from the pressure control valve. Wait until the pressure is naturally released and the floater has dropped to open the top lid.
- Once the pressure cooker is on, turn the control knob and set the pressure keeping time. This is to avoid the pressure cooker to automatically switch to keep warm mode after heating.
- The pressure keeping timer will start counting when the working pressure is reached.
- After the cooking is finished and the pressure is released, unplug the electric pressure cooker to turn off the keep warm function or when not in use.

Tip

- Choose the desired pressure keeping time according to the time indications on the control panel. You can also adjust the pressure keeping time for different types of food and your preference.

Adjustable pressure keeping time range

Cooking function	Adjustable pressure keeping time (minute)
White rice (Arroz)	3
Fish (Peixes)	4
Vegetables (Legumes)	3-5
Roots (Raízes)	4-7
Poultry (Aves)	10-15
Brown rice (Arroz integral)	15
Pork (Carne Suína)	20-25
Beans (Feijão)	45
Beef (Carne Bovina)	40-60
Dry meat (Carne Seca)	50-60

Assembling and disassembling the pressure regulator valve

Caution

- Do not disassemble the pressure regulator valve during cooking. Always unplug the electric pressure cooker and wait until the pressure has been released sufficiently.

To disassemble the pressure regulator:

- Turn the lower screw anticlockwise until it becomes loose, pull it up and take out the pressure regulator.

To assemble the pressure regulator:

- Put the pressure regulator back to the steam valve and make sure the regulator points at the sealed position (). Turn the screw clockwise until it is fastened.

5 Specifications

Model Number	RI3103
Rated power output	900W
Rated capacity	5.0L
Diameter	22cm
Pressure keeping time	0-60 minutes

Note

- Always unplug the appliance if not used for a longer period.

6 Cleaning and Maintenance

Note

- Unplug the electric pressure cooker before starting to clean it.
- Wait until the electric pressure cooker has cooled down sufficiently before cleaning it.

Interior

Inside of the outer lid and the main body:

- Wipe with wrung out and damp cloth.
- Make sure to remove all the food residues stuck to the electric pressure cooker.

Heating element:

- Wipe with wrung out and damp cloth.
- Remove food residues with wrung out and damp cloth or toothpicks.

Sealing ring:

- Soak in warm water and clean with sponge.

Exterior

Surface of the outer lid and outside of the main body:

- Wipe with a cloth dampened with soap water.
 - Only use soft and dry cloth to wipe the control panel.
 - Make sure to remove all the food residues around the pressure regulator valve and floating valve.
- Pressure control valve and floating valve:
- Disassemble the pressure control valve, soak it in warm water, and clean with sponge.
 - Remove food residues in the pressure control valve and floating valve with toothpicks.

Accessories

- Rice spoon, soup ladle, and inner pot:
- Soak in hot water and clean with sponge.

7 Recycling

Do not throw away the product with the normal household waste at the end of its life, but hand it in at an official collection point for recycling. By doing this, you help to preserve the environment. Follow your country's rules for the separate collection of electrical and electronic products. Correct disposal helps prevent negative consequences for the environment and human health.

