

ENGLISH

IMPORTANT SAFEGUARDS

Read this user manual carefully before you use the appliance and save it for future reference.

READ ALL INSTRUCTIONS

BEFORE USE

- 1 Discontinue use if this product appears damaged in any way (brush head or handle). Other than replaceable items, this product is not serviceable.
- 2 Avoid using a brush head with crushed or bent bristles. Damaged bristles may break off while brushing. Replace the brush head with a new one every 3 months or sooner if signs of wear appear. Inappropriate cleaning may cause bristle damage. (See section 'Cleaning').
- 3 This product is designed for cleaning teeth, gums, and tongue only. Use this product only for its intended use as described in this booklet. Discontinue use of this product and contact a physician/dentist if discomfort or pain is experienced.
- 4 This appliance is not intended for use by persons (including children) with reduced physical, sensory or mental capabilities, or lack of experience and knowledge, unless they have been given supervision or instruction concerning use of the appliance by a person responsible for their safety.
- 5 Children should be supervised to ensure that they do not play with the appliance.
- 6 This product is a personal care device and is not intended for use on multiple patients in a dental office or institution.
- 7 Do not use attachments other than those recommended by the manufacturer.
- 8 If your toothpaste contains peroxide, baking soda, or other bicarbonate (common in whitening toothpastes), it is important that you thoroughly clean your brush head and handle with soap and water after each use.
- 9 Consult your dental professional before you use this product if you have had oral or gum surgery in the previous 2 months.
- 10 Contact your dental professional if excessive bleeding occurs after using this product or bleeding continues to occur after 1 week of use.

- 11 If you have a pacemaker or other implanted device, contact your physician or the device manufacturer prior to use.
- 12 Sonicare has been tested and is compliant with safety standards for electromagnetic devices.
- 13 Consult your physician prior to using the Sonicare if you have medical concerns.
- 14 To avoid damage due to battery leakage:
 - Do not expose the appliance to high temperatures such as direct sunlight or heating elements.
 - Do not leave empty batteries in the appliance.

SAVE THESE INSTRUCTIONS

Your Sonicare (Fig. 1)

- A** Replaceable HydroClean brush head
- B** Battery indicator (select models)
- C** Power on/off button
- D** Battery compartment cap
- E** User ID sticker location
- F** 2 AA 1.5-volt batteries

Getting started

Installing or replacing batteries

- 1 Remove the battery compartment cap from the bottom of the handle by pulling on the grips (Fig. 2).
- 2 Insert two AA 1.5 volt batteries into the handle. Make sure the + and - poles of the batteries match the indication on the inside of the handle (Fig. 3).
- 3 Firmly push the battery compartment cap back onto the handle (Fig. 4).

Attaching the brush head

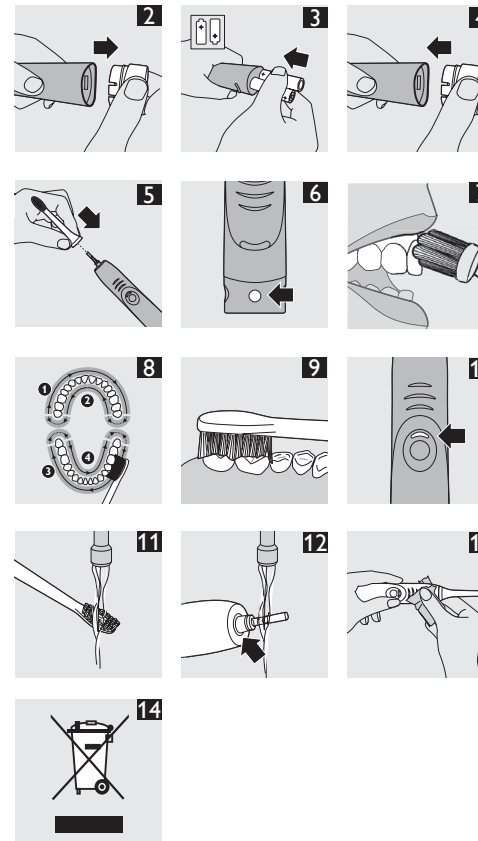
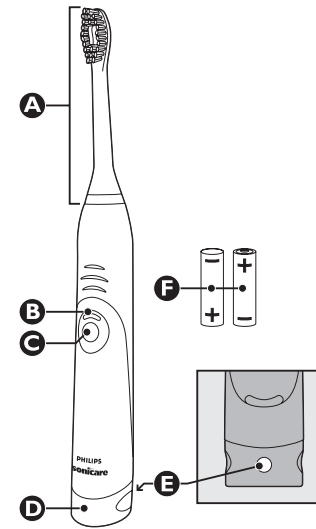
- 1 Align the front of the brush head with the front of the toothbrush handle.
- 2 Push the brush head onto the shaft. (Fig. 5)

User ID sticker

- If you have multiple Sonicare battery toothbrushes in your home, you can attach the white or silver sticker to the battery cap. This helps you identify your handle. (Fig. 6)

Using your Sonicare

- 1 Wet the bristles and apply a small amount of toothpaste.



PHILIPS

Sonicare

the sonic toothbrush

Sonicare
400 Series Battery
toothbrush



4235.020.2352.5

North America:
1-800-682-7664
www.sonicare.com

Philips Oral Healthcare, Inc.
35301 SE Center Street
Snoqualmie WA 98065
U.S.A.

Outside North America:
+1-425-396-2000
www.philips.com


Printed in the U.S.A.
Printed on 100% recycled paper

Protected by U.S. and international patents. Other patents pending.

© 2008 Koninklijke Philips Electronics NV (KPNV).
All rights reserved. PHILIPS and the Philips shield are registered trademarks of KPNV.
Easy-start, Smartimer, Quadpacer, Sonicare and the Sonicare logo are trademarks of Philips Oral
Healthcare, Inc. and/or KPNV.

- 2** Place the toothbrush bristles against the teeth at a slight angle towards the gumline (Fig. 7).
- 3** Hold the handle with a light grip and turn on the Sonicare. Gently move the brush head slowly across the teeth in a small back and forth motion so the longer bristles reach between your teeth. Continue this motion throughout your 2-minute brushing cycle.
- 4** To maximize effectiveness, apply only light pressure and let the toothbrush do the brushing for you. Do not scrub.
- 5** To make sure you brush evenly throughout the mouth, divide your mouth into 4 sections: outside top, inside top, outside bottom and inside bottom teeth. Begin brushing in section 1 (outside top teeth) and brush for 30 seconds before moving to section 2 (inside top teeth). Continue brushing in section 3 (outside bottom teeth) and brush for 30 seconds before moving to section 4 (inside bottom teeth) for a total brushing time of 2 minutes (Fig. 8)
- 6** After you have completed the 2-minute brushing cycle, you can spend additional time brushing the chewing surfaces of your teeth and areas where staining occurs. You may also brush your tongue, with the toothbrush turned on or off, as you prefer (Fig. 9).

Your Sonicare is safe to use on:

- Braces (brush heads wear out sooner when used on braces)
- Dental restorations (fillings, crowns, veneers)

Features

Smartimer 2-minute timer

- After 2 minutes, the Smartimer automatically turns off your toothbrush.
- To pause or stop brushing during your 2-minute cycle, press the power button. Press the power button within 30 seconds and the Smartimer picks up where you left off.

Battery indicator (select models)

The battery indicator shows the amount of power left in the batteries.

- Solid green light indicates there are at least 16 two-minute brushings available (Fig. 10).
- Flashing green light indicates there are less than 16 brushings available.
- Three beeps at the end of a two-minute brushing indicate that there are less than 4 two-minute brushings available.

Note: The number of brushings you get from new batteries may vary depending on the type of batteries you use.

Note: The toothbrush will turn on for one second then immediately shut off to indicate it is time to replace batteries.

Easy-start

- This Sonicare model comes with the Easy-start feature, which helps you get used to brushing with Sonicare.
- Brushing power gently increases to full power over the first 14 brushings.

Note: Each of the first 14 brushings must be at least 1 minute in length to advance through the Easy-start ramp-up cycle properly.

Note: Prior to a clinical test, ensure that the Easy-start process has been completed, attach a new brush head and install new AA alkaline batteries.

Cleaning

Do not place brush heads and the handle in the dishwasher.

- 1** Rinse the brush head and bristles after each use. Let the brush head air-dry only (Fig. 11).
- 2** Remove the brush head once a week and clean the connection between the brush head and the handle. (Fig. 12)

Do not use sharp objects to press on the rubber seal, as this may cause damage.

- 3** Clean the remainder of the handle periodically with mild soap and a moist cloth (Fig. 13).

Storage

If you are not going to use the toothbrush for an extended period of time (a month or longer), remove the batteries, clean the appliance and store it in a cool and dry place.

Replacement

Brush head

- Replace Sonicare brush heads every 3 months to achieve optimal results.
- Use only Sonicare HydroClean replacement brush heads with the B400 model.

Disposal

- Do not throw away the appliance with the normal household waste at the end of its life, but hand it in at an official collection point for recycling. By doing this, you help to preserve the environment (Fig. 14).

- This symbol represents Philips' recommendation to dispose of your AA batteries properly.

Guarantee and service

Customer Service Information

If you have any questions after reading this manual, contact our Customer Care Center.

- Customer Service Center 1-800-682-7664 (North America), outside North America contact your local Philips Customer Care Center.
- Internet information www.philips.com

WARRANTY EXCLUSIONS

What is not covered under warranty:

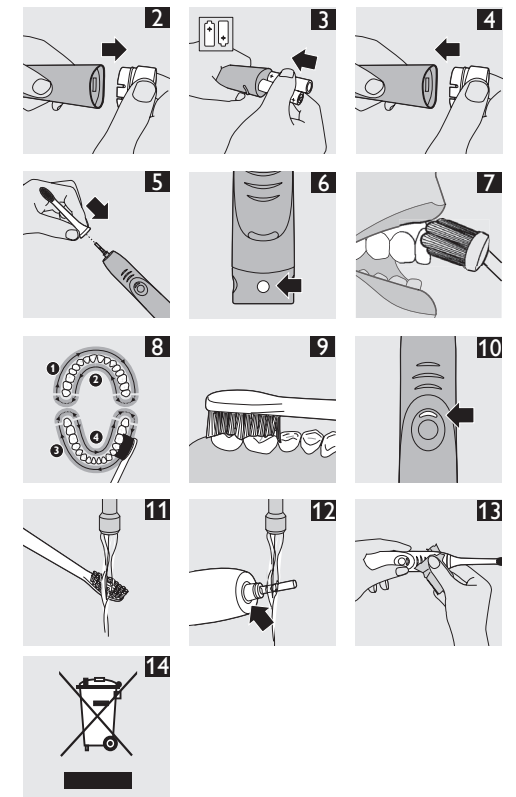
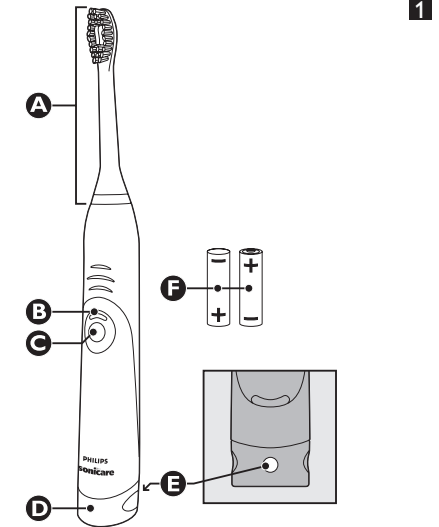
- Brush heads
- Damage caused by misuse, abuse, neglect, alterations or unauthorized repair.
- Normal wear and tear, including chips, scratches, abrasions, discoloration or fading.
- Replacement batteries

PHILIPS DAP GUARANTEES ITS PRODUCT FOR A PERIOD OF TWO YEARS AFTER THE DATE OF PURCHASE.

PRODUCTS WITH DEFECTS DUE TO FAULTY MATERIALS AND WORKMANSHIP WILL BE REPAIRED OR REPLACED UPON RECEIPT OF CONVINCING PROOF THAT THE DEFECT/CLAIM FALLS WITHIN THE WARRANTY (E.G. A PURCHASE RECEIPT). THIS WARRANTY DOES NOT COVER PRODUCT/PARTS THAT ARE SUBJECT TO WEAR CONSISTENT WITH NORMAL USE. ALSO SEE WARRANTY EXCLUSIONS ABOVE. THE WARRANTY IS NOT VALID IF A DEFECT IS DUE TO DAMAGE CAUSED BY INCORRECT USE, POOR MAINTENANCE (E.G. PART BLOCKED BY SCALE) OR IF ALTERATIONS OR REPAIRS HAVE BEEN CARRIED OUT BY PERSONS NOT AUTHORIZED BY PHILIPS DAP.

LIMITATION OF REMEDIES

IN NO EVENT SHALL PHILIPS OR ANY OF ITS AFFILIATED OR SUBSIDIARY COMPANIES BE LIABLE FOR ANY SPECIAL, INCIDENTAL OR CONSEQUENTIAL DAMAGES BASED UPON BREACH OF WARRANTY, BREACH OF CONTRACT, NEGLIGENCE, TORT, OR ANY OTHER LEGAL THEORY. SUCH DAMAGES INCLUDE, WITHOUT LIMITATION, LOSS OF SAVINGS OR REVENUE; LOSS OF PROFIT; LOSS OF USE; THE CLAIMS OF THIRD PARTIES INCLUDING, WITHOUT LIMITATION,



DENTISTS AND DENTAL HYGIENISTS; AND COST OF ANY SUBSTITUTE EQUIPMENT OR SERVICES. SOME STATES DO NOT ALLOW THE EXCLUSION OR LIMITATION OF INCIDENTAL OR EXCLUSION MAY NOT APPLY TO YOU.