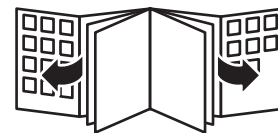



PHILIPS
AVENT
SCF870

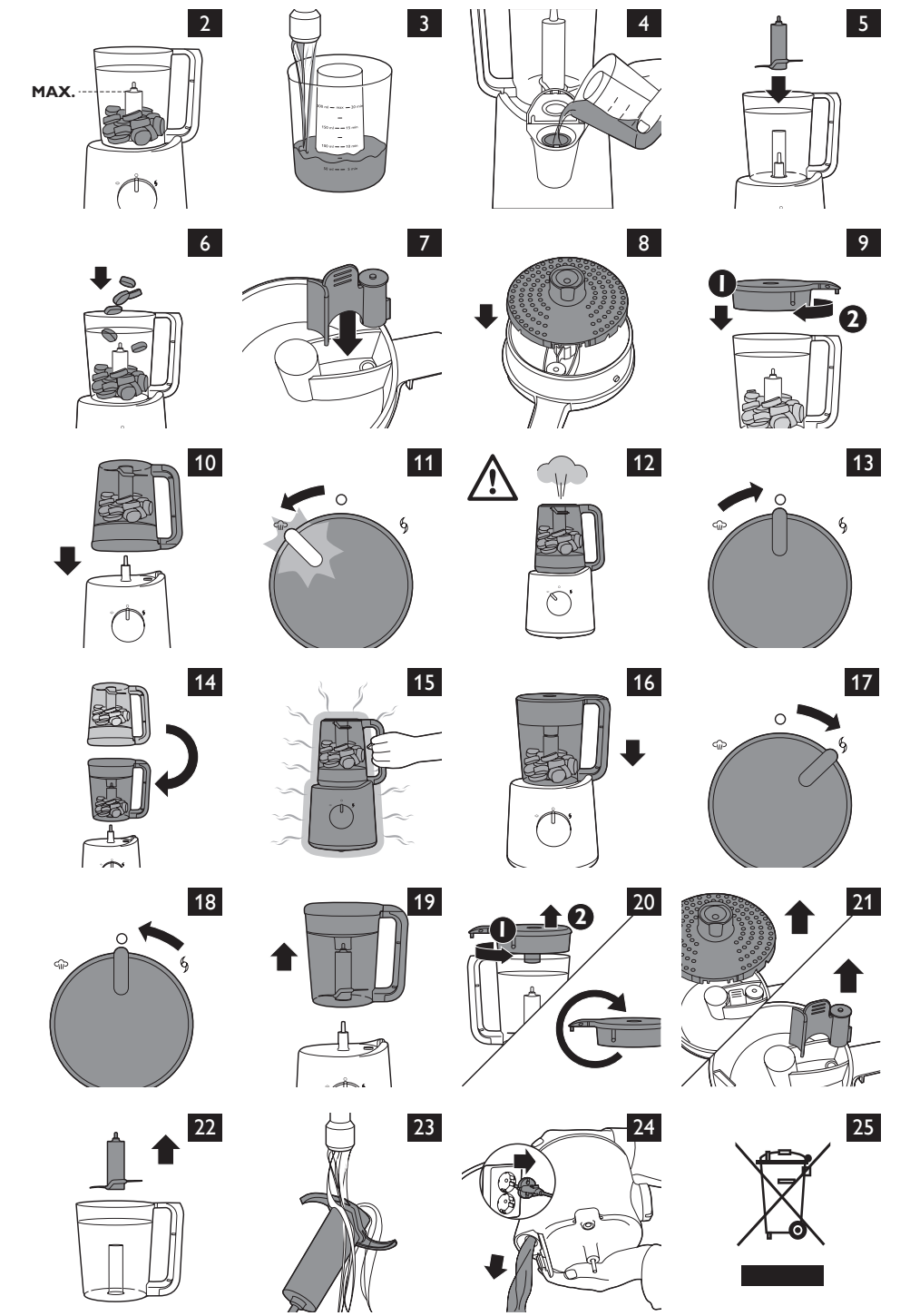
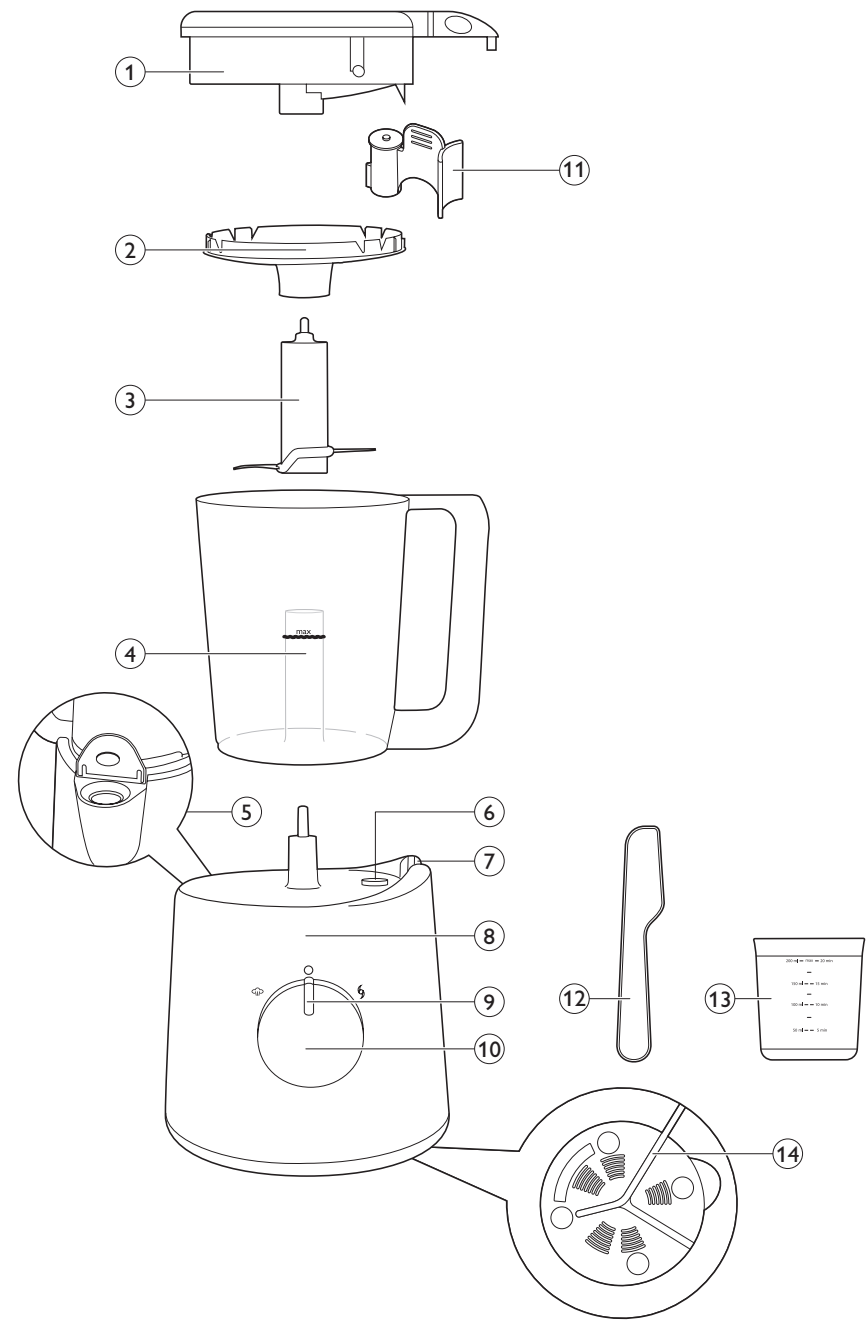


Specifications are subject to change without notice
© 2018 Koninklijke Philips N.V.
All rights reserved.
4203 000 62269 C

 100% recycled paper
100% papier recyclé



1



SCF870

ENGLISH	6
DANSK	19
ESPAÑOL	32
SUOMI	46
ITALIANO	58
INDONESIA	73
NORSK	88
PORTUGUÊS	101
ภาษาไทย	115
SVENSKA	129

Introduction

Congratulations on your purchase and welcome to Philips AVENT! To fully benefit from the support that Philips AVENT offers, register your product at www.philips.com/welcome.

This combined steamer and blender is particularly suitable for preparing small amounts of baby food. The combined steamer and blender supports all parents in preparing fresh meals for their babies with a simple steaming and blending function combined in one appliance.

General description (Fig. 1)

- 1 Lid with steam hole
- 2 Sieve
- 3 Blade unit
- 4 Jar with blade unit holder
- 5 Filling opening of water tank
- 6 Steam outlet on motor unit
- 7 Locking area for handle
- 8 Motor unit
- 9 Steaming light
- 10 Control knob
- 11 Valve
- 12 Spatula
- 13 Measuring cup
- 14 Bottom of the appliance with mains cord

Important

Read this user manual carefully before you use the appliance and save it for future reference.

Danger

- Never immerse the motor unit in water or any other liquid, nor rinse it under the tap.

Warning

- Check if the voltage indicated on the appliance corresponds to the local mains voltage before you connect the appliance.
- Do not use the appliance if the plug, the mains cord or the appliance itself is damaged.
- If the mains cord is damaged, you must have it replaced by Philips, a service centre authorised by Philips or similarly qualified persons in order to avoid a hazard.
- This appliance can be used by persons with reduced physical, sensory or mental capabilities or lack of experience and knowledge if they have been given supervision or instruction concerning use of the appliance in a safe way and if they understand the hazards involved.
- This appliance shall not be used by children. Keep the appliance and its cord out of the reach of children.
- Children shall not play with the appliance.

- Do not touch the cutting edges of the blade unit when the appliance is plugged in and during cleaning. The cutting edges are very sharp.
- If the blade unit gets stuck, unplug the appliance before you remove the ingredients that block the blade unit.
- The appliance becomes very hot during steaming and may cause burns if touched. Only lift the jar by its handle.
- Beware of hot steam that comes out of the jar during steaming and when you remove its lid.
- Beware of hot steam that comes out of the filling opening of the water tank when you open its lid.
- When the steaming process is finished, hot steam continues to come out of the steam outlet on the motor unit and the steam hole in the lid of the jar for some time. Be careful when you lift the jar off the motor unit.
- If the appliance is used improperly, hot steam could come out of the filling opening. Consult chapter 'Troubleshooting' in order to avoid or to solve this.
- Never let the appliance operate unattended.
- Do not disassemble the motor unit for maintenance or cleaning purposes. Take it to an authorised Philips service centre for repair.

Caution

- Never use any accessories or parts from other manufacturers or that Philips does not specifically recommend. If you use such accessories or parts, your guarantee becomes invalid.
- Do not place the appliance on or near an operating or still hot stove or cooker.
- Always unplug the appliance and let it cool down before you clean it.
- Never use the jar or any other part of the appliance in a microwave, as the metal parts of the jar handle and blade unit are not suitable for this use.
- Never sterilise the jar or any other part of the appliance in a steriliser or in a microwave, as the metal parts of the jar handle and blade unit are not suitable for this use.
- This appliance is intended for household use only. If the appliance is used improperly or for professional or semi-professional purposes or if it is not used according to the instructions in the user manual, the guarantee becomes invalid and Philips refuses any liability for damage caused.
- Be careful when you pour hot liquid into the beaker, as hot liquid and steam may be ejected and cause scalding.
- Let the appliance cool down for 10 minutes before you steam another batch of ingredients.

8 ENGLISH

- The appliance is not intended for chopping hard ingredients such as ice cubes and sugar cubes.
- Do not let the appliance blend for more than 30 seconds at a time. If you have not finished blending after 30 seconds, switch off the appliance and wait a few seconds before you continue. If the appliance becomes hot, let it cool down for a few minutes before you continue.
- Place the appliance on a stable, horizontal and level surface. Make sure there is enough free space around it to prevent damage to e.g. cabinets or other objects, as the appliance emits hot steam during use.
- Do not use the appliance if it has fallen or is damaged in any way. Take it to an authorised Philips service centre for repair.
- Never put water, other liquids or blended food in the jar for steaming to avoid damage to the appliance.
- Never use the steaming function without water.
- Make sure that you do not overfill the water tank (max. 200ml). Do not exceed the maximum level indicated on the measuring cup.
- When you steam ingredients, make sure that you do not overfill the jar. Make sure that the top edge of the green blade unit is not covered with food (Fig. 2).
- When you blend liquids, do not exceed the maximum level indicated on the jar (450ml).
- Do not insert any object into the filling opening or the steam outlet.
- Never refill the water tank during the steaming process, as hot water and steam may come out of the appliance as a result.
- Always make sure that the lid has cooled down after steaming before you open it to add more ingredients for blending, if necessary.
- Do not connect the appliance to an external switching device such as a timer and do not connect it to a circuit that is regularly switched on and off by the utility. This prevents a hazard that could be caused by inadvertent resetting of the thermal cut-out.
- Always check the temperature of the baby food on the back of your hand before you feed your baby.
- Always check the consistency of the baby food. Make sure there are no chunks in the food.
- When the steaming process (max. 20 minutes) is finished, do not steam or reheat the baby food again.
- Only use the spatula supplied to remove the food from the jar.
- Regular descaling prevents damage to the appliance.
- Switch off the appliance and disconnect from supply before changing accessories or approaching parts that move in use.

- Take care in handling the sharp blades when emptying the jar and during cleaning.
- Always disconnect the device from supply if it's left unattended.
- Cleaning and user maintenance shall not be made by children.

Safety system

The appliance is equipped with a built-in safety lock. The appliance only functions if you have properly assembled all parts on the motor unit. If all parts are assembled correctly, the built-in safety lock will be unlocked.

The appliance is also equipped with overheat protection. Overheating could occur if the time between two steaming processes is too short, if the blending function is used too long or if there are too much ingredients in the jar. If the overheat protection switches off the appliance during use, set the control knob to 0 and let the appliance cool down for a few minutes. After this, you can use the appliance again.

Electromagnetic fields (EMF)

This Philips appliance complies with all applicable standards and regulations regarding exposure to electromagnetic fields.

Before first use

- 1** Remove all packaging material from the appliance.
- 2** Clean all parts except the motor unit (see chapter 'Cleaning and maintenance').

Using the appliance

Always check the temperature of the baby food on the back of your hand before you feed your baby.

Always make sure that the lid has cooled down after steaming before you remove it to add more ingredients for blending, if necessary. Do not exceed the maximum level indicated on the jar.

Empty the water tank before you refill it to start a new steaming process.

Always make sure that the top edge of the green blade unit is not covered with food when you start steaming.

Do not exceed the maximum level indicated on the jar (450ml) when you blend liquids.

This appliance is intended for steaming fresh solid ingredients and then blending them to obtain baby food. See the recipe booklet for some examples. Normally you would first steam the ingredients and then blend them. However, you can also use the appliance for steaming or blending only. When you use the appliance for blending only, skip sections 'Filling the water tank' and 'Steaming' and only follow the instructions in section 'Blending'. After blending, never steam already blended food. Never steam the same batch of ingredients for longer than 20 minutes or more than once.

This appliance is NOT intended for:

- Defrosting food
- Steaming frozen food
- Steaming already blended food
- Steaming the same ingredients for more than 20 minutes
- Cooking rice and pasta
- Blending ingredients first and then steaming them
- Heating up fluids, e.g. soup or water
- Keeping food warm for several hours
- Reheating food

Filling the water tank

- 1** Fill the measuring cup with water up to the required level (Fig. 3).

The measuring cup shows millilitres and the corresponding steaming time in minutes. See the separate recipe booklet for the recommended quantities of the recipes.

Note: Do not exceed the maximum level indicated on the measuring cup (200ml) to make sure that you do not overflow the water tank.

Note: We advise you not to use mineral water, as the minerals contained in this type of water cause scale to build up inside the water tank.

- 2** Pour the water into the filling opening and close the lid (Fig. 4).

Note: Never put anything else than water in the water tank.

Steaming

If certain vegetables and fruits are steamed gently, they are perfect for babies who start to eat solid food. Steaming is the healthiest way of preparing food, as the food retains lots of vitamins and other healthy nutrients.

Note: You can find recipes and the cooking times required for these recipes in the separate recipe booklet. Note that the recipes are related to the age of the child.

Note: Do not steam frozen ingredients because the appliance cannot heat up frozen food to the temperature required for steaming. Always defrost frozen solid ingredients before you steam them in this appliance. Shake off any excess water from the defrosted ingredients before you put them in the jar.

- 1** Put the blade unit on the blade unit holder in the jar (Fig. 5).
- 2** Cut solid ingredients into small pieces (cubes not bigger than 2-3cm) before you put them in the jar.

Note: Do not process a large quantity of solid ingredients at the same time. Process these ingredients in a series of small batches instead.

- 3** Put the ingredients in the jar (Fig. 6).

Note: Do not exceed the top edge of the green blade unit.

Note: Never put water or any other liquid in the jar for steaming, to avoid damage to the appliance.

- 4** Put the valve in the lid (Fig. 7).

Note: Make sure the valve is fixed properly.

- 5** Put the sieve in the lid of the jar ('click') (Fig. 8).

- 6** Place the lid on the jar and turn it clockwise to fix it. The small projections on the lid have to slide into the grooves in the jar. Make sure that the large projection of the lid is placed exactly over the handle of the jar (Fig. 9).

- 7** Place the jar upside down on the motor unit, i.e. with the lid downwards. Make sure that the handle is on the right-hand side and that it is attached properly (Fig. 10).

Note: The appliance does not start steaming if the jar and handle are not in the correct position.

- 8** Turn the control knob to the steaming position.

- The steaming light lights up orange to indicate that the appliance is steaming (Fig. 11).

Hot steam or hot water could burn your fingers. Do not touch and never let children touch hot parts and steam, as this may cause scalds (Fig. 12).

- The steaming time depends on the amount of water you have put in the water tank. See the table in chapter 'Ingredients and steaming times' and the recipe booklet.
 - When the steaming process is finished, the appliance produces a buzzing sound and the steaming light goes out.
- 9** Set the control knob to the off position. Wait 2 minutes until no more steam comes out of the steam outlet, to avoid scalding by hot steam. (Fig. 13)

Note: If you want to steam another batch of ingredients, let the appliance cool down for 10 minutes before you start steaming again.

- 10** If you want to proceed with blending the steamed food, follow the instructions in section 'Blending after steaming' below.
- 11** Under normal conditions, no water remains in the water tank after steaming. However, in some situations (e.g. in case of scale build-up inside the water tank, interruption of the steaming process or unintended use), some water could remain in the water tank. In this case, empty the water tank completely after use to avoid bacterial growth. To descale the water tank, see chapter 'Cleaning and maintenance'.

Blending after steaming

- 1** Grab the jar handle and lift the jar off the motor unit. Turn the jar around and shake it so that the food falls down onto the blade unit (Fig. 14).

Only touch the jar handle. The lid, bottom and outer surface of the jar are hot (Fig. 15).

- 2** If necessary, remove the lid and add additional ingredients for blending (e.g. water or oil).

Always make sure that the lid of the jar and the lid of the water tank have cooled down after steaming before you open them to add more ingredients to the jar or to remove the remaining water from the water tank.

After you have put liquids in the jar, never put the jar in the steaming position.

- 3** Place the jar upright on the motor unit, i.e. with the lid upwards. Make sure the handle is on the right-hand side and positioned between the two ridges of the locking area (Fig. 16).
- 4** Turn the control knob to the blending position. Hold the knob in this position until the food is properly blended (Fig. 17).

Do not let the appliance blend for more than 30 seconds at a time. If you have not finished blending after 30 seconds, switch off the appliance and wait a few seconds before you continue. If the appliance becomes hot, let it cool down for a few minutes before you continue.

Note: If the ingredients stick to the wall of the jar, switch off the appliance and loosen them with the spatula or add some liquid.

Note: Make sure that the blended baby food has the right consistency (e.g. no lumps) before you serve it.

Note: If the baby food is still too solid, add some fluid (e.g. water) until the baby food is soft and smooth.

- 5** When you have finished blending, simply release the control knob (Fig. 18).
- The knob automatically returns to the off position.

- 6** Unplug the appliance.

- 7** Remove the blade unit. Be careful when you remove the blade unit as it might be hot. Remove the blended food from the jar. If necessary, use the spatula included with this appliance.

Make sure that the baby food is at a safe temperature for your baby.

12 ENGLISH

- 8** Under normal conditions, no water remains in the water tank after steaming. However, in some situations (e.g. in case of scale build-up inside the water tank, interruption of the steaming process or unintended use), some water could remain in the water tank. In this case, empty the water tank completely after use to avoid bacterial growth. To descale the water tank, see chapter 'Cleaning and maintenance'.

Blending without steaming

The appliance is intended for:

- pureeing steamed and cooked ingredients for baby food
- blending fluids and fruits for baby drinks

The appliance is not intended for chopping hard ingredients such as ice cubes and sugar cubes.

After you have put liquids in the jar, never put the jar in the steaming position.

Note: When you blend fluids, make sure you do not fill the jar beyond the maximum level indication on the jar.

Note: Never steam baby food after you have blended it.

- 1** Put the blade unit on the blade unit holder in the jar (Fig. 5).
- 2** Cut solid ingredients into small pieces (cubes not bigger than 2-3cm) before you put them in the jar.

Tip: Do not process a large quantity of solid ingredients at the same time. Process these ingredients in a series of small batches instead.

- 3** Put the ingredients in the jar. (Fig. 6)

Note: Do not exceed the top edge of the green blade unit.

- 4** Put the valve in the lid (Fig. 7).

Note: Make sure the valve is fixed properly.

- 5** Put the sieve in the lid of the jar ('click') (Fig. 8).

- 6** Place the lid on the jar and turn it clockwise to fix it. The small projections on the lid have to slide into the grooves in the jar. Make sure that the large projection of the lid is placed exactly over the handle of the jar. (Fig. 9)

- 7** Place the jar upright on the motor unit, i.e. with the lid upwards. Make sure the handle is on the right-hand side and positioned between the two ridges of the locking area (Fig. 16).

- 8** Turn the control knob to the blending position. Hold the knob in this position for as long as you need but for not more than 30 seconds (Fig. 17).

Note: If the ingredients stick to the wall of the jar, switch off the appliance and loosen them with the spatula or add some liquid. Do not exceed the maximum level indication on the jar.

Note: Make sure that the blended baby food has the right consistency (e.g. no lumps) before you serve it.

Note: If the baby food is still too solid, add some fluid (e.g. water) until the baby food is soft and smooth. Do not exceed the maximum level indication on the jar.

Note: Never steam baby food after you have blended it.

Do not let the appliance blend for more than 30 seconds at a time. If you have not finished blending after 30 seconds, switch off the appliance and wait a few seconds before you continue. If the motor unit becomes hot, let it cool down for a few minutes before you continue.

- 9** When you have finished blending, simply release the control knob. (Fig. 18)

- The knob automatically returns to the off position.

10 Unplug the appliance.

11 Remove the blade unit. Be careful when you remove the blade unit as it might be hot. Remove the blended food from the jar. If necessary, use the spatula included with this appliance.

Make sure that the baby food is at a safe temperature for your baby.

Ingredients and steaming times

Type of food	Ingredient	Approximate steaming time*
Fruit	Apple	5 min
	Oranges	10 min
	Peach	10 min
	Pear	5 min
	Pineapple	15 min
	Plum	10 min
	Vegetables	Asparagus
Broccoli		20 min
Carrot		15 min
Cauliflower		15 min
Celery		15 min
Courgette		15 min
Fennel		15 min
French beans		20 min
Leek		15 min
Onion		15 min
Peas		20 min
Pepper		15 min
Potato		20 min
Pumpkin		15 min
Spinach		15 min
Swede		15 min
Sweet potato		15 min
Tomato	15 min	
Meat	Chicken, beef, lamb, pork etc.	20 min
Fish	Salmon, sole, cod, trout etc.	15 min

* All food has to be cut in small cubes, no bigger than 2-3cm.

Note: The measuring cup shows millilitres and the corresponding steaming time in minutes (50ml = 5 min, 100ml = 10 min, 150ml = 15 min, 200ml = 20 min).

Cleaning and maintenance

Clean the appliance after every use.

Never immerse the motor unit in water.

Never use bleach or chemical sterilising solutions/tablets in the appliance.

Never use scouring pads, abrasive cleaning agents or aggressive liquids such as petrol, acetone or alcohol to clean the appliance.

- 1 Unplug the appliance and remove the jar from the motor unit (Fig. 19).
- 2 Remove the lid from the jar and turn the lid upside down (Fig. 20).
- 3 Remove the sieve and the valve from the lid. (Fig. 21)
- 4 Clean the valve in hot water with some washing-up liquid and rinse it under the tap.
- 5 Remove the blade unit from the jar (Fig. 22).
- 6 Clean the blade unit under the tap thoroughly, immediately after use. Make sure you also rinse the inside of the tube of the blade unit (Fig. 23).

Handle the blade unit very carefully. The cutting edges are very sharp.

Note: If you want to clean the blade unit more thoroughly, you can also place it in the dishwasher after you have rinsed it.

- 7 Clean the other parts that have come into contact with food in hot water with some washing-up liquid immediately after use.

Note: All parts, except the motor unit, can also be cleaned in the dishwasher.

- 8 If necessary, clean the motor unit with a moist cloth.
- 9 Check if any food particles have entered the water tank. You can do this by looking into the filling opening to see if there are any food particles in it or by checking if the water has an unusual colour and by smelling if the water tank produces an unpleasant or a burnt smell. If this is the case, clean the water tank (see section 'Cleaning the water tank' in this chapter).
- 10 Leave the lid of the filling opening open to prevent bacterial growth.

Descaling the water tank

If food particles enter the water tank, they may get stuck onto the heating element in the water tank during the next steaming processes. These particles cannot be removed by just rinsing the water tank. In addition, you have to descale the appliance every four weeks to ensure it continues to work 100% effectively. To reduce scale build-up, it is helpful to use pre-boiled or filtered water in the appliance.

To remove food particles inside the water tank and to descale the appliance, follow the descaling instructions below.

- 1 Make sure the appliance is switched off.
 - 2 Add 50ml white vinegar (8% acetic acid) to 150ml water.
- Note: You can also use citric acid based descalers. Do not use other types of descalers.*
- 3 Fill the water tank with the solution of vinegar (or citric acid) and water.
 - 4 Close the lid of the filling opening.
 - 5 Place the empty jar (without any food inside) fully assembled with blade unit and lid on the motor unit in steaming position (i.e. with the lid pointing downwards).

- 6** Turn the control knob to steaming position.
 - The steaming light lights up orange to indicate that the appliance is steaming.
- 7** Switch off the appliance after 5-6 min of steaming and unplug it.
- 8** Pour the used solution of white vinegar (8% acetic acid) and water out of the water tank (Fig. 24).
- 9** Rinse the water tank and the jar thoroughly with fresh water several times.
- 10** Fill the tank with 200ml water and let the appliance complete a steaming process of 20 minutes with the empty jar before you use the appliance with food again.
- 11** Leave the lid of the filling opening open to prevent bacterial growth.

Recycling

- This symbol means that this product shall not be disposed of with normal household waste (2012/19/EU) (Fig. 25).
- Follow your country's rules for the separate collection of electrical and electronic products. Correct disposal helps prevent negative consequences for the environment and human health.

Storage

- 1** Empty the water tank before you store the appliance (Fig. 24).
- 2** Make sure all parts are clean and dry before you store the appliance (see chapter 'Cleaning and maintenance').
- 3** Store the appliance with the blade unit in the jar to prevent damage.
- 4** Do not place the lid on the jar and leave the lid of the filling opening open to avoid bacterial growth.

Guarantee and support

If you need information or support, please visit www.philips.com/support or read the separate worldwide guarantee leaflet.

Technical specifications

- Voltage/wattage: see type plate on the bottom of the appliance.
- Maximum capacity of water tank: 200ml.
- Maximum capacity of jar, liquids: 450ml.
- Protection: temperature-controlled heating system and safety lock.

Troubleshooting

This chapter summarises the most common problems you could encounter with the appliance. If you are unable to solve the problem with the information below, visit www.philips.com/support for a list of frequently asked questions or contact the Consumer Care Centre in your country.

16 ENGLISH

Problem	Possible cause	Solution
The appliance does not work.	The appliance is equipped with a safety lock. If the parts have not been assembled properly onto the motor unit, the appliance does not work.	Assemble all parts properly. See chapter 'Using the appliance'.
The steaming light does not go on.	The appliance is not connected to the mains.	Put the plug in the wall socket.
	The jar is not placed on the motor unit properly.	Place the jar on the motor unit properly.
	You want to start a second steaming process just after one has finished.	Switch off the appliance and let it cool down for a few minutes before you start a second steaming process.
The ingredients are not heated up completely.	The pieces in the jar are too big, there is too much food in the jar or you have not steamed the food long enough.	Cut the food into smaller pieces (2-3cm), decrease the amount of food in the jar or select a longer steaming time (max. 20 minutes). Check the recipe booklet and/or the table in chapter 'Ingredients and steaming times' to make sure that you select the correct steaming time for the ingredients you want to steam or the recipe you want to prepare.
The appliance does not steam.	You have not put water in the appliance.	Switch off the appliance and put the right amount of water in the appliance.
	You have not put the jar on the motor unit in the correct position.	Place the jar on the appliance in the correct position (see section 'Steaming' in chapter 'Using the appliance').
Steaming takes too long or the steam function does not work at all.	There is too much scale in the water tank.	Descale the water tank. See chapter 'Cleaning and maintenance', section 'Descaling'.
Steam is coming out of the filling opening.	The lid of the filling opening is not closed properly.	Close the lid of the filling opening properly ('click').
	The steam outlet on the motor unit is blocked by food or by scale.	Clean the steam outlet with a pointy object without damaging the seal and follow the descaling instructions in the future. See chapter 'Cleaning and maintenance', section 'Descaling'.
	The steam hole in the lid is blocked.	Remove the valve and clean the steam hole in the lid properly.

Problem	Possible cause	Solution
The steaming light goes on again after the steaming process is finished. After some time, the appliance buzzes again.	You have accidentally left the jar on the base for more than 10 minutes without switching off the appliance.	Switch off the appliance within 10 minutes after the steaming process is finished and then blend the food or remove it from the jar.
The blade unit or motor unit is blocked.	There is too much food in the jar.	Switch off the appliance and process a smaller quantity. Do not fill the jar beyond the top edge of the green blade unit.
The motor unit gives off an unpleasant smell during the first few times of use.	This is normal.	If the appliance continues to give off this smell after you have used it a few times, check whether the processing quantity and processing time are correct. See chapter 'Ingredients and steaming times'.
The appliance continues to give off an unpleasant smell after I used it a few times.	You put too much food in the jar or you let the appliance blend too long.	Process smaller quantities and do not let the appliance blend for more than 30 seconds at a time.
The appliance makes a lot of noise, produces an unpleasant smell, feels hot to the touch, emits smoke, etc.	There is too much food in the jar.	Switch off the appliance and process a smaller quantity.
	You let the appliance operate too long without interruption.	Do not let the appliance blend for more than 30 seconds at a time.
The lid of the jar leaks.	You have not assembled the lid on the jar properly.	Assemble the lid on the jar properly. See chapter 'Using the appliance'.
	There is too much food in the jar.	Switch off the appliance and process a smaller quantity.
There are white spots on the filling opening and/or on the jar, sieve and lid.	Scale has built up on these parts.	This is normal. Remove the scale periodically. See chapter 'Cleaning and maintenance', section 'Descaling'.
The appliance produces a lot of noise while it is blending.	The sieve is not attached to the lid of the jar.	Make sure that the sieve is attached to the lid of the jar.

Problem	Possible cause	Solution
The water in the water tank has an unusual colour when you pour it out of the water tank or when it enters the jar during steaming, or the water in the water tank has an unpleasant smell.	Food particles have entered the water tank during use.	Clean the water tank according to the instructions in chapter 'Cleaning and maintenance, section 'Cleaning the water tank'. Use the appliance strictly according to the instructions. Make sure you do not overfill the water tank with water (max 200ml) and that you do not overfill the jar with food (do not fill the jar beyond the top edge of the green blade unit). Do not steam the same ingredients for more than 20 minutes and do not put water for steaming directly in the jar. Also make sure that the valve is fixed in the lid.
A smell of grilled or burnt food comes out of the water tank	Food particles have entered the water tank during use and have caked onto the heating element.	Clean the water tank according to the instructions in chapter 'Cleaning and maintenance, section 'Cleaning the water tank'. Use the appliance strictly according to the instructions. Make sure you do not overfill the water tank with water (max 200ml) and that you do not overfill the jar with food (do not fill the jar beyond the top edge of the green blade unit). Do not steam the same ingredients for more than 20 minutes and do not put water for steaming directly in the jar. Also make sure that the valve is fixed in the lid.
There are dark spots in the baby food or the water in the jar has an unusual colour.	Food particles have entered the water tank during use and have caked onto the heating element. This causes residues of these food particles to enter the jar during steaming.	Clean the water tank according to the instructions in chapter 'Cleaning and maintenance, section 'Cleaning the water tank'. Use the appliance strictly according to the instructions. Make sure you do not overfill the water tank with water (max 200ml) and that you do not overfill the jar with food (do not fill the jar beyond the top edge of the green blade unit). Do not steam the same ingredients for more than 20 minutes and do not put water for steaming directly in the jar. Also make sure that the valve is fixed in the lid.

Introduktion

Tillykke med dit køb, og velkommen til Philips Avent! For at få fuldt udbytte af den support, Philips Avent tilbyder, skal du registrere dit produkt på www.philips.com/welcome. Denne kombinerede dampkoger og blender er specielt velegnet til tilberedning af små portioner babymad. Den kombinerede dampkoger og blender hjælper alle forældre med at lave friske måltider til deres børn med en enkel dampnings- og blendningsfunktion kombineret i ét apparat.

Generel beskrivelse (fig. 1)

- 1 Låg med damphul
- 2 Si
- 3 Knivenhed
- 4 Blenderglas med holder til knivenhed
- 5 Påfyldningsåbning på vandtank
- 6 Dampudtag på motorenheden
- 7 Låseområde til håndtag
- 8 Motorenhed
- 9 Dampindikator
- 10 Kontrollknap
- 11 Ventil
- 12 Spatel
- 13 Målebæger
- 14 Bunden af apparatet med netledning

Vigtigt

Læs denne brugsvejledning omhyggeligt igennem, inden apparatet tages i brug, og gem den til eventuelt senere brug.

Fare

- Motorenheden må aldrig kommes ned i vand eller andre væsker eller skylles under vandhanen.

Advarsel

- Kontrollér, om den angivne netspænding på apparatet svarer til den lokale netspænding, før du slutter strøm til apparatet.
- Brug aldrig apparatet, hvis netstik, netledning eller selve apparatet er beskadiget.
- Hvis netledningen beskadiges, må den kun udskiftes af Philips, et autoriseret Philips-serviceværksted eller en tilsvarende kvalificeret fagmand for at undgå enhver risiko.
- Dette apparat kan bruges af personer med reducerede fysiske, sensoriske eller mentale evner eller manglende erfaring og viden, hvis de er blevet instrueret i sikker brug af apparatet og forstår de medfølgende risici.
- Apparatet må ikke betjenes af børn. Hold apparatet og ledningen uden for børns rækkevidde.
- Lad ikke børn lege med apparatet.

- Rør ikke ved knivenhedens skæreægge, når apparatet er sat i stikkontakten og under rengøringen. Knivbladernes ægge er meget skarpe.
- Hvis knivenheden sætter sig fast, skal du tage apparatet ud af stikkontakten, før du prøver at fjerne de ingredienser, der blokerer knivenheden.
- Apparatet bliver meget varmt under dampning og kan give forbrændinger, når det berøres. Løft kun blenderglasset vha. håndtaget.
- Vær opmærksom på den varme damp, der kommer ud af dampkogerens under dampning, og når du fjerner låget.
- Vær opmærksom på den varme damp, der kommer ud af vandtankens påfyldningsåbning, når du åbner låget.
- Når dampningsprocessen er færdig, kommer der fortsat varm damp ud af dampudtaget på motorenheden og damphullet i låget i et stykke tid. Vær forsigtig, når du løfter blenderglasset af motorenheden.
- Hvis apparatet ikke bruges korrekt, kan der komme varm damp ud af påfyldningsåbningen. Se kapitlet "Fejlfinding" for at undgå eller løse problemet.
- Lad aldrig apparatet køre uden opsyn.
- Skil ikke motoren ad til vedligeholdelse eller rengøring. Kontakt din Philips-forhandler for eftersyn/reparation.

Forsigtig

- Brug aldrig tilbehør eller dele fra andre fabrikanter, eller tilbehør/dele som ikke specifikt er anbefalet af Philips, da reklamationsretten i så fald bortfalder.
- Stil ikke apparatet på eller i nærheden af ovn eller kogeapparat, der er i brug eller stadig er varme.
- Tag altid stikket ud af stikkontakten, og lad apparatet afkøle, før det rengøres.
- Brug aldrig blenderglasset eller en anden del af apparatet i en mikrobølgeovn, da metaldelene i blenderglassets håndtag og knivenheden ikke er egnet til dette.
- Steriliser aldrig blenderglasset eller en anden del af apparatet i en sterilisator, da metaldelene i glassets håndtag og knivenheden ikke er egnet til dette.
- Dette apparat er kun beregnet til husholdningsbrug. Hvis det anvendes forkert eller til professionelle eller semi-professionelle formål eller på en måde, der ikke er i overensstemmelse med brugsvejledningen, bortfalder garantien og dermed Philips' ansvar for eventuelle skader.
- Vær forsigtig, når du hælder varm væske i bægeret, da varm væske og damp kan sprøjte ud og forårsage skoldning.

- Lad apparatet køle af i 10 minutter, inden du damper en ny portion ingredienser.
- Apparatet er ikke beregnet til at hakke hårde ingredienser som f.eks. isterninger og sukkerknalder.
- Apparatet må ikke blende i mere end 30 sekunder ad gangen. Hvis du ikke er færdig med at blende efter 30 sekunder, skal du slukke for apparatet og vente et par sekunder, inden du fortsætter. Hvis apparatet bliver overophedet, skal du lade det køle ned et par minutter, inden du fortsætter.
- Stil apparatet på et stabilt, vandret og jævnt underlag. Sørg for, at der er tilstrækkelig luft omkring det, så du undgår at beskadige f.eks. skabe eller andre genstande, da apparatet afgiver varm damp under brug.
- Brug ikke apparatet, hvis det er blevet tabt eller på nogen måde er beskadiget. Kontakt din Philips-forhandler for eftersyn/reparation.
- For at undgå beskadigelse af apparatet må du aldrig komme vand, andre væsker eller blendet mad i glasset til dampning.
- Brug aldrig dampningsfunktionen uden vand.
- Sørg for ikke at overfylde vandtanken (maks. 200 ml). Overskrid ikke den angivne maksimum-markering på målebægeret.
- Når du damper ingredienser, skal du sørge for ikke at overfylde blenderglasset. Sørg for, at den øverste del af den grønne knivenhed ikke er dækket af mad (fig. 2).
- Når du blander væsker, må du ikke overskride den angivne maksimum-markering på blenderglasset (450 ml).
- Kom ikke genstande i påfyldningsåbningen eller dampudtaget.
- Fyld aldrig vand på vandtanken under dampningen, da det kan medføre, at varmt vand og damp kommer ud af apparatet.
- Sørg altid for, at låget er kølet ned efter dampningen, inden du åbner det for at påfylde flere ingredienser til blendning, hvis dette er nødvendigt.
- Tilslut aldrig apparatet til en ekstern kontaktenhed som f.eks. en timer, og tilslut aldrig til et kredsløb, som jævnligt slås til og fra. Dette forhindrer farlige situationer, der kunne opstå som følge af en utilsigtet nulstilling af overophedningssikringen.
- Kontroller altid babymadens temperatur på din hånddryg, inden du mader dit barn.
- Kontroller altid babymadens konsistens. Sørg for, at der ikke er klumper i maden.
- Når dampningsprocessen (maks. 20 minutter) er færdig, bør du ikke dampe eller genopvarme babymaden igen.
- Brug kun den medfølgende paletske til at fjerne mad fra blenderglasset.
- Regelmæssig afkalkning forhindrer skader på apparatet.

22 DANSK

- Sluk for apparatet, og tag stikket ud af stikkontakten, før du skifter tilbehør eller kommer i nærheden af dele, der bevæger sig under brug.
- Vær forsigtig, når du håndterer de skarpe knive, tømmer blenderglasset og rengør apparatet.
- Tag altid stikket ud af stikkontakten, hvis enheden efterlades uden opsyn.
- Rengøring og vedligeholdelse må ikke foretages af børn.

Sikkerhedssystem

Apparatet er udstyret med en indbygget sikkerhedslås. Apparatet virker kun, hvis alle dele er samlet korrekt på motorenheden. Hvis alle delene er samlet korrekt, åbnes den indbyggede sikkerhedslås. Apparatet er også udstyret med overophedningsbeskyttelse. Overophedning kan opstå, hvis tidsrummet mellem to dampningsprocesser er for kort, hvis blendningsfunktionen bruges for længe, eller hvis der er for mange ingredienser i blenderglasset. Hvis overophedningsbeskyttelsen slår apparatet fra under brug, skal du indstille kontrolknappen til 0 og lade apparatet køle af i et par minutter. Derefter kan du bruge apparatet igen.

Elektromagnetiske felter (EMF)

Dette Philips-apparat overholder alle branchens gældende standarder og regler angående eksponering for elektromagnetiske felter.

Før apparatet tages i brug

- 1 Fjern al emballage fra apparatet.
- 2 Rengør alle dele undtagen motorenheden (Se afsnittet "Rengøring og vedligeholdelse").

Sådan bruges apparatet

Kontroller altid babymadens temperatur på din hånddryg, inden du mader dit barn.

Sørg altid for, at låget er kølet ned efter dampningen, inden du fjerner det for at påfylde flere ingredienser til blendning, hvis dette er nødvendigt. Overskrid ikke den angivne maksimum-markering på blenderglasset.

Tøm vandtanken, før du fylder den igen for at starte en ny dampningsproces.

Sørg altid for, at den grønne knivenheds øverste kant ikke er dækket af mad, når du starter dampningen.

Overskrid ikke den angivne maksimum-markering på blenderglasset (450 ml), når du blander væsker.

Dette apparat er beregnet til at dampe friske faste ingredienser og derefter blende dem til babymad. Se opskriftshæftet for at få eksempler. Normalt vil man først dampe ingredienserne og derefter blende dem. Du kan imidlertid også bruge apparatet til kun at dampe eller blende med. Hvis du kun bruger apparatet til blendning, kan du springe afsnittene "Påfyldning af vandtanken" og "Dampning" over og nøjes med at følge instruktionerne i afsnittet "Blendning". Efter blendning må du aldrig dampe mad, der allerede er blendet. Damp aldrig den samme portion ingredienser i længere tid end 20 minutter eller mere end én gang.

Dette apparat er IKKE beregnet til:

- Optøning af mad
- Dampning af frossen mad
- Dampning af mad, der allerede er blendet
- Dampning af de samme ingredienser i mere end 20 minutter
- Tilberedning af ris og pasta
- Blendning af ingredienser først og derefter dampning af dem
- Opvarmning af væsker, f.eks. supper eller vand
- At holde mad varm i flere timer
- Genopvarmning af mad

Påfyldning af vandtanken

1 Fyld vand i målebægeret op til det ønskede niveau (fig. 3).

Målebægeret viser millimeter og den tilsvarende dampningstid i minutter. Se det separate opskriftshæfte for at få oplysninger om de anbefalede mængder til opskrifterne.

Bemærk: Overskrid ikke den angivne maksimum-markering på målebægeret (200 ml) for at sikre, at du ikke overfylder vandtanken.

Bemærk: Vi anbefaler, at du ikke bruger mineralvand, da mineralerne i denne type vand kan forårsage kalkaflejringer i vandtanken.

2 Hæld vand i påfyldningsåbningen og luk låget (fig. 4).

Bemærk: Kom aldrig andet end vand i vandtanken.

Dampning

Hvis bestemte grøntsager og frugter dampes nænsomt, er de perfekte til børn, som begynder at spise fast føde. Dampning er den sundeste måde at tilberede mad på, fordi maden bevarer mange vitaminer og andre sunde næringsstoffer.

Bemærk: Du kan finde opskrifter og tilberedningstider i det separate opskriftshæfte.

Bemærk sammenhængen mellem opskrifterne og barnets alder.

Bemærk: Damp ikke frosne ingredienser, da apparatet ikke opvarmer frossen mad til den temperatur, der kræves til dampning. Optø altid faste ingredienser, før du damper dem i apparatet. Ryst overskydende vand af optøede ingredienser, før du kommer dem i blenderglasset.

1 Sæt knivenheden fast på knivenhedsholderen i blenderglasset (fig. 5).

2 Skær faste ingredienser i små stykker (terninger på 2-3 cm), inden du putter dem i blenderglasset.

Bemærk: Undlad at blende store mængder faste ingredienser på én gang. Blend i stedet denne type ingredienser i små portioner ad gangen.

3 Kom ingredienserne op i blenderglasset (fig. 6).

Bemærk: Overskrid ikke den grønne knivenheds øverste kant.

Bemærk: For at undgå beskadigelse af apparatet må du aldrig komme vand eller andre væsker i blenderglasset for at dampe dem.

4 Sæt ventilen i låget (fig. 7).

Bemærk: Sørg for, at ventilen sidder ordentligt fast.

5 Placer sien i blenderglassets låg ("klik") (fig. 8).

6 Sæt låget på blenderglasset, og drej det med uret for at fastgøre det. De små cirkler rundt om låget skal passe med rillerne på blenderglasset. Sørg for, at den store tap på låget er placeret nøjagtig over blenderglassets håndtag (fig. 9).

7 Placer blenderglasset på hovedet på motorenheden, dvs. med låget nedad. Sørg for, at håndtaget er på højre side, og at det sidder ordentligt fast (fig. 10).

Bemærk: Apparatet starter ikke dampningen, hvis blenderglasset og håndtaget ikke er i den korrekte position.

8 Drej kontrolknappen til dampningsindstillingen.

- Dampindikatoren lyser orange for at vise, at apparatet er i gang med dampningen (fig. 11).

Varm damp eller varmt vand kan brænde dine fingre. Rør aldrig varme dele eller damp, og lad aldrig børn røre, da det kan forårsage skoldning (fig. 12).

- Dampningstiden afhænger af den mængde vand, du har kommet i vandtanken. Se tabellen i kapitlet "Ingredienser og dampningstider" og opskriftshæftet.
- Når dampningsprocessen er afsluttet, afgiver apparatet en summende lyd, og dampindikatoren slukkes.

9 Indstil kontrolknappen til off-positionen. Vent i 2 minutter, indtil der ikke kommer mere damp ud af dampudtaget, for at undgå at blive skoldet af varm damp. (fig. 13)

Bemærk: Hvis du vil dampe en ny portion ingredienser, skal du lade apparatet køle ned i 10 minutter, før du starter dampningen igen.

10 Hvis du vil fortsætte med at blende den dampede mad, skal du følge instruktionerne i afsnittet "Blending efter dampning" nedenfor.

11 Under normale forhold er der ikke noget vand tilbage i vandtanken efter dampning. I visse tilfælde (f.eks. hvis der er kalkaflejringer i vandtanken, hvis dampningsprocessen afbrydes eller ved utilsigtet brug), kan der være lidt vand tilbage i vandtanken. I så fald skal du tømme vandtanken helt efter brug for at undgå bakterievækst. Hvis du vil afkalke vandtanken, skal du se kapitlet "Rengøring og vedligeholdelse".

Blending efter dampning

1 Tag fat i blenderglassets håndtag, og løft glasset af motorenheden. Vend blenderglasset, og ryst det, så maden falder ned på knivenheden (fig. 14).

Rør kun blenderglassets håndtag. Låget, bunden og blenderglassets udvendige overflade er varme (fig. 15).

2 Hvis det er nødvendigt, kan du fjerne låget og tilføje yderlige ingredienser til blending (f.eks. vand eller olie).

Kontrollér altid, at blenderglassets låg og låget til vandtanken er kølet ned efter dampningen, inden du åbner dem for at påfylde flere ingredienser eller for at fjerne det resterende vand fra vandtanken.

Når du har kommet væsker i blenderglasset, må du aldrig sætte glasset i dampningspositionen.

3 Placer blenderglasset opretstående på motorenheden med låget opad. Sørg for, at håndtaget er på højre side, og at det er placeret mellem låseområdet to riller (fig. 16).

4 Drej kontrolknappen til blendningsindstillingen. Hold knappen i denne position, indtil maden er blendet (fig. 17).

Apparatet må ikke blende i mere end 30 sekunder ad gangen. Hvis du ikke er færdig med at blende efter 30 sekunder, skal du slukke for apparatet og vente et par sekunder, inden du

fortsætter. Hvis apparatet bliver overophedet, skal du lade det køle ned et par minutter, inden du fortsætter.

Bemærk: Hvis ingredienserne sidder fast på indersiden af blenderglasset, skal du slukke for apparatet og fjerne dem med spatelen eller hælde lidt væske i.

Bemærk: Sørg for, at den blendede babymad har den rigtige konsistens (f.eks. ingen klumper), inden du serverer den.

Bemærk: Hvis babymaden stadig er for fast, skal du komme væske i (f.eks. vand), indtil den er blød og jævn.

5 Når du er færdig med at blende, skal du blot slippe kontrolknappen (fig. 18).

- Knappen vender automatisk tilbage til off-positionen.

6 Tag stikket ud af stikkontakten.

7 Fjern kniven. Vær forsigtig, når du fjerner kniven, eftersom den kan være varm. Tag den blendede mad ud af blenderglasset. Brug om nødvendigt den medfølgende spatel.

Sørg for, at babymaden har en temperatur, der er sikker for dit barn.

8 Under normale forhold er der ikke noget vand tilbage i vandtanken efter dampning. I visse tilfælde (f.eks. hvis der er kalkaflejringer i vandtanken, hvis dampningsprocessen afbrydes eller ved utilsigtet brug), kan der være lidt vand tilbage i vandtanken. I så fald skal du tømme vandtanken helt efter brug for at undgå bakterievækst. Hvis du vil afkalke vandtanken, skal du se kapitlet "Rengøring og vedligeholdelse".

Blendning uden dampning

Dette apparat er beregnet til:

- purering af dampede og kogte ingredienser til babymad
- blendning af væske og frugt til drikke til barnet

Apparatet er ikke beregnet til at hakke hårde ingredienser som f.eks. isterninger og sukkerknalder.

Når du har kommet væsker i blenderglasset, må du aldrig sætte glasset i dampningspositionen.

Bemærk: Når du blander væske, skal du sørge for, at du ikke fylder blenderglasset mere end til maksimum-markeringen.

Bemærk: Damp aldrig babymad, efter at du har blendet den.

1 Sæt knivenheden fast på knivenhedsholderen i blenderglasset (fig. 5).

2 Skær faste ingredienser i små stykker (terninger på 2-3 cm), inden du putter dem i blenderglasset.

Tip: Undlad at blende store mængder faste ingredienser på én gang. Blend i stedet denne type ingredienser i små portioner ad gangen.

3 Kom ingredienserne op i blenderglasset. (fig. 6)

Bemærk: Overskrid ikke den grønne knivenheds øverste kant.

4 Sæt ventilen i låget (fig. 7).

Bemærk: Sørg for, at ventilen sidder ordentligt fast.

5 Placer sien i blenderglassets låg ("klik") (fig. 8).

6 Sæt låget på blenderglasset, og drej det med uret for at fastgøre det. De små cirkler rundt om låget skal passe med rillerne på blenderglasset. Sørg for, at den store tap på låget er placeret nøjagtig over blenderglassets håndtag. (fig. 9)

7 Placer blenderglasset opretstående på motorenheden med låget opad. Sørg for, at håndtaget er på højre side, og at det er placeret mellem låseområdets to riller (fig. 16).

8 Drej kontrolknappen til blendningsindstillingen. Hold knappen i denne position, så længe du har brug for det, dog ikke længere end 30 sekunder (fig. 17).

Bemærk: Hvis ingredienserne sidder fast på indersiden af blenderglasset, skal du slukke for apparatet og fjerne dem med spatelen eller hælde lidt væske i. Overskrid ikke maksimum-markeringen på blenderglasset.

Bemærk: Sørg for, at den blendede babymad har den rigtige konsistens (f.eks. ingen klumper), inden du serverer den.

Bemærk: Hvis babymaden stadig er for fast, skal du komme væske i (f.eks. vand), indtil den er blød og jævn. Overskrid ikke maksimum-markeringen på blenderglasset.

Bemærk: Damp aldrig babymad, efter at du har blendet den.

Apparatet må ikke blende i mere end 30 sekunder ad gangen. Hvis du ikke er færdig med at blende efter 30 sekunder, skal du slukke for apparatet og vente et par sekunder, inden du fortsætter. Hvis motorenheden bliver overophedet, skal du lade det køle ned et par minutter, inden du fortsætter.

9 Når du er færdig med at blende, skal du blot slippe kontrolknappen. (fig. 18)

- Knappen vender automatisk tilbage til off-positionen.

10 Tag stikket ud af stikkontakten.

11 Fjern kniven. Vær forsigtig, når du fjerner kniven, eftersom den kan være varm. Tag den blendede mad ud af blenderglasset. Brug om nødvendigt den medfølgende spatel.

Sørg for, at babymaden har en temperatur, der er sikker for dit barn.

Ingredienser og dampningstider

Madvare	Ingredienser	Anslået dampningstid*
Frugt	Æble	5 min.
	Appelsiner	10 min.
	Fersken	10 min.
	Pære	5 min.
	Ananas	15 min.
	Blomme	10 min.
Grøntsager	Asparges	10 min.
	Broccoli	20 min.
	Gulerod	15 min.
	Blomkål	15 min.
	Selleri	15 min.
	Courgette	15 min.
	Fennikel	15 min.
	Grønne bønner	20 min.
Porre	15 min.	

Madvare	Ingredienser	Anslået dampningstid*
	Løg	15 min.
	Ærter	20 min.
	Peberfrugt	15 min.
	Kartoffel	20 min.
	Græskar	15 min.
	Spinat	15 min.
	Kålroe	15 min.
	Sød kartoffel	15 min.
	Tomat	15 min.
Kød	Kylling, oksekød, lam, svin osv.	20 min.
Fisk	Laks, søtunge, torsk, ørred osv.	15 min.

* Al mad skal skæres i små terninger, der ikke er større end 2-3 cm.

Bemærk: Målebægeret viser millimeter og den tilsvarende dampningstid i minutter (50 ml = 5 min., 100 ml = 10 min., 150 ml = 15 min., 200 ml = 20 min.).

Rengøring og vedligeholdelse

Rengør altid apparatet efter brug.

Kom aldrig motorenheden ned i vand.

Anvend aldrig blegemiddel eller kemisk steriliseringsvæske/kemiske tabletter i apparatet.

Brug aldrig skuresvampe eller skræppe rengøringsmidler såsom benzin, acetone eller sprit til rengøring af apparatet.

- 1 Tag stikket ud af stikkontakten, og fjern blenderglasset fra motorenheden (fig. 19).
- 2 Fjern låget fra blenderglasset, og vend låget med bunden i vejret (fig. 20).
- 3 Fjern sien og ventilen fra låget. (fig. 21)
- 4 Rengør ventilen i varmt vand med lidt opvaskemiddel, og skyl den under vandhanen.
- 5 Fjern knivenheden fra blenderglasset (fig. 22).
- 6 Rengør knivenheden grundigt under hanen umiddelbart efter brug. Sørg for, at du også renser indersiden af knivenhedens rør (fig. 23).

Håndter knivenheden meget forsigtigt. Knivbladenes ægge er meget skarpe.

Bemærk: Hvis du vil rengøre knivenheden grundigere, kan du også komme den i opvaskemaskinen, efter du har renset den.

- 7 Vask de andre dele, der har været i kontakt med fødevarerne, med varmt vand tilsat lidt opvaskemiddel umiddelbart efter brug.

Bemærk: Alle dele undtagen motorenheden kan vaskes i opvaskemaskine.

- 8 Rengør motorenheden med en fugtig klud, hvis det er nødvendigt.

- 9 Kontroller, om der er kommet madpartikler i vandtanken. Du kan gøre dette ved at se ind i påfyldningsåbningen for at se, om der sidder madpartikler i den, eller ved kontrollere, om vandet har en usædvanlig farve, samt om vandtanken afgiver en ubehagelig eller brændt lugt. Hvis dette er tilfældet, skal du rengøre vandtanken (se afsnittet "Rengøring af vandtanken" i dette kapitel).
- 10 Lad låget til påfyldningsåbningen stå åbent for at forhindre bakterievækst.

Afkalkning af vandtanken

Hvis der kommer madpartikler i vandtanken, kan de blive brændt fast på vandtankens varmelegeme under de næste dampningsprocesser. Disse partikler kan ikke fjernes blot ved at skylle vandtanken. Desuden skal du afkalke apparatet hver fjerde uge for at sikre, at det fortsætter med at fungere 100 % effektivt. Reducer tilkalkningen ved at anvende kogt eller filtreret vand i apparatet. Hvis du vil fjerne madpartikler i vandtanken og afkalke apparatet, skal du følge afkalkningsinstruktionerne nedenfor:

- 1 Kontroller, at apparatet er slukket.
- 2 Tilsæt 50 ml hvid eddike (8 % eddikesyre) til 150 ml vand.
Bemærk: Du kan også bruge afkalkningsmiddel, der er baseret på citronsyre. Brug ikke andre former for afkalkningsmiddel.
- 3 Fyld vandtanken med opløsningen af eddike (eller citronsyre) og vand.
- 4 Luk låget til påfyldningsåbningen.
- 5 Sæt det tomme blenderglas (uden mad i) fuldt samlet med knivenhed og låg på motorenheden i dampningsposition (dvs. med låget pegende nedad).
- 6 Drej kontrolknappen til dampningsindstillingen.
 - Dampindikatoren lyser orange for at vise, at apparatet er i gang med dampningen.
- 7 Sluk apparatet efter 5-6 minutters dampning, og tag stikket ud.
- 8 Hæld den brugte opløsning af hvid eddike (8 % eddikesyre) og vand ud af tanken (fig. 24).
- 9 Skyl vandtanken og blenderglasset grundigt flere gange med frisk vand.
- 10 Fyld tanken med 200 ml vand, og lad apparatet udføre en dampningsproces på 20 minutter med tomt blenderglas, inden du bruger apparatet til mad igen.
- 11 Lad låget til påfyldningsåbningen stå åbent for at forhindre bakterievækst.

Genanvendelse

- Dette symbol betyder, at dette produkt ikke må bortskaffes sammen med almindeligt husholdningsaffald (2012/19/EU) (fig. 25).
- Følg dit lands regler for særskilt indsamling af elektriske og elektroniske produkter. Korrekt bortskaffelse er med til at forhindre negativ påvirkning af miljø og helbred.

Opbevaring

- 1 Tøm vandtanken inden opbevaring af apparatet (fig. 24).
- 2 Sørg for, at alle dele er rene og tørre, inden apparatet stilles væk (se afsnittet "Rengøring og vedligeholdelse").
- 3 Opbevar apparatet med knivenheden i blenderglasset for at undgå beskadigelse.
- 4 Sæt ikke låget på blenderglasset, og lad låget til påfyldningsåbningen stå åbent for at undgå bakterievækst.

Reklamationsret og support

Hvis du har brug for hjælp eller support, bedes du besøge www.philips.com/support eller læse i den separate folder "World-Wide Guarantee".

Tekniske specifikationer

- Volt/watt: Se identifikationspladen i bunden af maskinen.
- Vandtankens maksimale kapacitet: 200 ml.
- Blenderglassets maksimale kapacitet, væske: 450 ml.
- Beskyttelse: temperaturkontrolleret opvarmningssystem og sikkerhedslås.

Fejlfinding

Dette kapitel opsummerer de mest almindelige problemer, der kan forekomme ved brug af apparatet. Har du brug for yderligere hjælp og vejledning, så besøg www.philips.com/support for en liste af ofte stillede spørgsmål eller kontakt dit lokale Philips Kundecenter.

Problem	Mulig årsag	Løsning
Apparatet fungerer ikke.	Apparatet er udstyret med en sikkerhedslås. Hvis delene ikke er monteret korrekt på motorenheden, fungerer apparatet ikke.	Saml alle dele korrekt. Se afsnittet "Sådan bruges apparatet".
Dampindikatoren tænder ikke.	Apparatet er ikke tilsluttet lysnettet. Blenderglasset er ikke placeret korrekt på motorenheden.	Sæt stikket i stikkontakten. Placer blenderglasset korrekt på motorenheden.
	Du ønsker at starte en dampningsproces umiddelbart efter at have afsluttet en.	Sluk for apparatet, og lad det køle ned et par minutter, inden du starter anden dampningsproces.
Ingredienserne bliver ikke helt varme.	Stykkerne i blenderglasset er for store, der er for meget mad i glasset, eller du har ikke dampet maden længe nok.	Skær maden i mindre stykker (2-3 cm), kom mindre mad i blenderglasset, eller vælg en længere dampningstid (maks. 20 minutter). Se opskriftshæftet og/eller tabellen i kapitlet "Ingredienser og dampningstider" for at være sikker på, at du vælger den korrekte dampningstid til de ingredienser, du vil dampe, eller den opskrift, du vil tilberede.
Apparatet damper ikke.	Du har ikke kommet vand i apparatet. Du har ikke sat blenderglasset på motorenheden i den korrekte position.	Sluk for apparatet, og put den rigtige mængde vand i apparatet. Sæt blenderglasset på apparatet i den korrekte position (se afsnittet "Dampning" i kapitlet "Sådan bruges apparatet").

Problem	Mulig årsag	Løsning
Dampningen tager for lang tid, eller dampningsfunktionen fungerer overhovedet ikke.	Der er for meget kalk i vandtanken.	Afkalk vandtanken. Se i afsnittet "Rengøring og vedligeholdelse" under "Afkalkning".
Der kommer damp ud af påfyldningsåbningen.	Låget til dampindtaget er ikke lukket ordentligt.	Luk låget til påfyldningsåbningen ("klik").
	Dampudtaget på motorenheden er blokeret af mad eller kalk.	Rengør dampudtaget med en spids genstand uden at ødelægge lukningen, og følg afkalkningsinstruktionerne for fremtiden. Se afsnittet "Rengøring og vedligeholdelse" under "Afkalkning".
	Lågets damp hul er blokeret.	Fjern ventilen, og rengør damp hullet i låget ordentligt.
Dampindikatoren tændes igen, når dampningsprocessen er færdig. Efter et stykke tid summer apparatet igen.	Du har ved et uheld ladet blenderglasset stå på basisenheden i mere end 10 minutter uden at slukke for apparatet.	Sluk for apparatet inden for 10 minutter, efter dampningsprocessen er færdig, og blend derefter maden, eller fjern den fra blenderglasset.
Kniv- eller motorenhed er blokeret.	Der er for meget mad i blenderglasset.	Sluk for apparatet, og tilbered en mindre portion. Fyld ikke blenderglasset mere end til den grønne knivenheds øverste kant.
Motorenheden afgiver en ubehagelig lugt under de første par ganges brug.	Dette er normalt.	Hvis apparatet fortsat afgiver denne lugt efter et par ganges brug, skal mængden, der tilberedes, og tilberedningstiden kontrolleres. Se kapitlet "Ingredienser og dampningstider".
Apparatet bliver ved med at afgive en ubehagelig lugt, efter at jeg har brugt det et par gange.	Du har puttet for meget mad i blenderglasset, eller du har ladet apparatet blende for længe.	Tilbered mindre mængder, og lad ikke apparatet blende i mere end 30 sekunder ad gangen.
Apparatet larmer kraftigt, afgiver en ubehagelig lugt, er varmt at røre ved, udsender røg osv.	Der er for meget mad i blenderglasset.	Sluk for apparatet, og tilbered en mindre portion.
	Du lader apparatet køre for længe uden pause.	Lad ikke apparatet blende i mere end 30 sekunder ad gangen.
Blenderglassets låg er utæt.	Låget er ikke sat korrekt på blenderglasset.	Sæt låget korrekt på blenderglasset. Se afsnittet "Sådan bruges apparatet".
	Der er for meget mad i blenderglasset.	Sluk for apparatet, og tilbered en mindre portion.

Problem	Mulig årsag	Løsning
Der er hvide pletter på påfyldningsåbningen og/eller på blenderglasset, sien og låget.	Der er aflejret kalk på disse dele.	Dette er normalt. Fjern kalken jævnlgt. Se afsnittet "Afkalkning" i kapitlet "Rengøring og vedligeholdelse".
Apparatet larmer meget, når det blander.	Sien er ikke sat på blenderglassets låg.	Sørg for, at sien er sat på blenderglassets låg.
Vandet i vandtanken har en usædvanlig farve, når du hælder det ud at vandtanken, eller når det kommer ind i blenderglasset, eller vandet i vandtanken har en ubehagelig lugt.	Der er kommet madpartikler i vandtanken under brug.	Rengør vandtanken efter instruktionerne i afsnittet "Rengøring af vandtanken" i kapitlet "Rengøring og vedligeholdelse". Brug apparatet i overensstemmelse med instruktionerne. Sørg for ikke at overfylde vandtanken med vand (maks. 200 ml) og ikke at overfylde blenderglasset med mad (fyld ikke blenderglasset mere end til den grønne knivenheds øverste kant). Damp ikke de samme ingredienser i mere end 20 minutter; og kom ikke vand til dampning direkte i blenderglasset. Sørg også for, at ventilen er fastgjort i låget.
Der kommer lugt af grillet eller brændt mad fra vandtanken	Der er kommet madpartikler i vandtanken under brug, og de har brændt sig fast på varmelegemet.	Rengør vandtanken efter instruktionerne i afsnittet "Rengøring af vandtanken" i kapitlet "Rengøring og vedligeholdelse". Brug apparatet i overensstemmelse med instruktionerne. Sørg for ikke at overfylde vandtanken med vand (maks. 200 ml) og ikke at overfylde blenderglasset med mad (fyld ikke blenderglasset mere end til den grønne knivenheds øverste kant). Damp ikke de samme ingredienser i mere end 20 minutter; og kom ikke vand til dampning direkte i blenderglasset. Sørg også for, at ventilen er fastgjort i låget.
Der er mørke pletter i babymaden eller vandet i blenderglasset har en usædvanlig farve.	Der er kommet madpartikler i vandtanken under brug, og de har brændt sig fast på varmelegemet. Dette medfører, at rester af disse madpartikler kommer i blenderglasset under dampning.	Rengør vandtanken efter instruktionerne i afsnittet "Rengøring af vandtanken" i kapitlet "Rengøring og vedligeholdelse". Brug apparatet i overensstemmelse med instruktionerne. Sørg for ikke at overfylde vandtanken med vand (maks. 200 ml) og ikke at overfylde blenderglasset med mad (fyld ikke blenderglasset mere end til den grønne knivenheds øverste kant). Damp ikke de samme ingredienser i mere end 20 minutter; og kom ikke vand til dampning direkte i blenderglasset. Sørg også for, at ventilen er fastgjort i låget.

Introducción

Enhorabuena por la compra de este producto y bienvenido a Philips Avent. Para sacar el mayor partido de la asistencia que Philips Avent le ofrece, registre su producto en

www.philips.com/welcome.

Esta combinación de vaporera y batidora está diseñada especialmente para preparar pequeñas cantidades de comida infantil, ayudando a los padres a preparar comida para los bebés combinando dos funciones en un solo aparato.

Descripción general (fig. 1)

- 1 Tapa con orificios de vapor
- 2 Tamiz
- 3 Unidad de cuchillas
- 4 Jarra con soporte para unidad de cuchillas
- 5 Abertura de llenado del depósito de agua
- 6 Salida de vapor en la unidad motora
- 7 Área de bloqueo del asa
- 8 Unidad motora
- 9 Piloto de vapor
- 10 Rueda de control
- 11 Válvula
- 12 Espátula
- 13 Vaso medidor
- 14 Parte inferior del aparato con cable de alimentación

Importante

Antes de usar el aparato, lea atentamente este manual de usuario y consérvelo por si necesitara consultarlo en el futuro.

Peligro

- No sumerja nunca la unidad motora en agua u otros líquidos, ni la aclare bajo el grifo.

Advertencia

- Antes de enchufar el aparato, compruebe si el voltaje indicado en el mismo se corresponde con el voltaje de red local.
- No utilice el aparato si la clavija, el cable de alimentación o el propio aparato están dañados.
- Si el cable de alimentación está dañado, debe ser sustituido por Philips o por un centro de servicio autorizado por Philips, con el fin de evitar situaciones de peligro.
- Este aparato puede ser usado por personas con su capacidad física, psíquica o sensorial reducida y por quienes no tengan los conocimientos y la experiencia necesarios, si han sido supervisados o instruidos acerca del uso del aparato de forma segura y siempre que sepan los riesgos que conlleva su uso.

- Este aparato no debe ser utilizado por los niños. Mantenga el aparato y su cable fuera del alcance de los niños.
- No permita que los niños jueguen con el aparato.
- No toque los bordes de las cuchillas de la unidad de cuchillas si el aparato está enchufado ni mientras lo limpia. Los bordes de las cuchillas están muy afilados.
- Si la unidad de cuchillas se bloquea, desenchufe el aparato antes de retirar los ingredientes que están bloqueándolas.
- Este aparato se calienta mucho mientras prepara alimentos al vapor y puede causar quemaduras al tocarse. Únicamente levante la jarra por el asa.
- Tenga cuidado con el vapor caliente que sale de la jarra mientras prepara alimentos al vapor y cuando quite la tapa.
- Tenga cuidado con el vapor caliente que sale de la abertura de llenado del depósito de agua cuando abra la tapa.
- Cuando el proceso de cocción al vapor termina, el vapor caliente continúa saliendo de la salida de vapor de la unidad motora y el orificio de vapor de la tapa de la jarra durante un tiempo. Tenga cuidado cuando levante la jarra de la unidad motora.
- Si el aparato se usa de forma inadecuada podría salir vapor caliente por la abertura de llenado. Consulte el capítulo “Guía de resolución de problemas” para evitar este problema o resolverlo.
- No deje nunca el aparato en funcionamiento sin vigilancia.
- No desmonte la unidad motora con objetivos de mantenimiento o limpieza. Llévela a un centro de servicio autorizado por Philips para repararla.

Precaución

- No utilice nunca accesorios o piezas de otros fabricantes o que no hayan sido específicamente recomendados por Philips. La garantía queda anulada si utiliza tales piezas o accesorios.
- No coloque el aparato sobre un fogón encendido o caliente ni cerca de él.
- Antes de limpiarlo, desenchufe siempre el aparato y deje que se enfríe.
- No introduzca la jarra ni ninguna otra pieza del aparato en un microondas, ya que las piezas metálicas del asa de la jarra y la unidad de cuchillas no son adecuadas para este uso.
- No esterilice la jarra ni ninguna otra pieza del aparato en un esterilizador o en un microondas, ya que las piezas metálicas del asa de la jarra y la unidad de cuchillas no son adecuadas para este uso.

- Este aparato está diseñado únicamente para uso doméstico. Si se utiliza el aparato de forma incorrecta, con fines profesionales o semiprofesionales, o de un modo que no esté de acuerdo con las instrucciones de uso, la garantía quedará anulada y Philips no aceptará responsabilidades por ningún daño.
- Tenga cuidado al verter líquidos calientes en el vaso, ya que el aparato podría expulsar líquido y vapor y provocar quemaduras.
- Deje que el aparato se enfríe durante diez minutos antes vaporizar otro lote de ingredientes.
- El aparato no está indicado para picar ingredientes duros como cubitos de hielo o terrones de azúcar.
- Evite que el aparato bata durante más de 30 segundos seguidos. Si no ha acabado de batir en 30 segundos, apague el aparato y espere unos segundos antes de continuar. Si el aparato se calienta, deje que se enfríe durante unos minutos antes de continuar.
- Coloque el aparato sobre una superficie estable, horizontal y plana. Asegúrese de que queda suficiente espacio libre alrededor para evitar deterioros, por ejemplo, en los armarios u otros objetos, ya que el aparato emite vapor caliente durante su uso.
- No utilice el aparato si se ha caído o si está dañado. Llévelo a un servicio de asistencia técnica autorizado por Philips para su reparación.
- Nunca ponga agua, otros líquidos ni comida batida en la jarra para cocer al vapor con el fin de evitar daños en el aparato.
- Nunca utilice la función de cocción al vapor sin agua.
- Asegúrese de no llenar en exceso el depósito de agua (200 ml como máximo). No exceda del nivel máximo indicado en el vaso medidor.
- Cuando prepare alimentos al vapor, asegúrese de que no llena la jarra en exceso. Asegúrese de que el borde superior de la unidad de cuchillas verde no esté cubierto de comida (fig. 2).
- Cuando bata líquidos, no exceda el nivel máximo indicado en la jarra (450 ml).
- No introduzca ningún objeto en la abertura de llenado o en la salida de vapor.
- Nunca rellene el depósito de agua durante el proceso de cocción al vapor, ya que puede salir agua caliente y vapor del aparato.
- Asegúrese de que la tapa se ha enfriado después de la cocción al vapor antes de abrirla para poner más ingredientes y batirlos en caso necesario.
- No conecte el aparato a un interruptor externo como, por ejemplo, un temporizador; ni a un circuito que se encienda o se apague a intervalos. De esta forma evitará situaciones de peligro debido al reajuste involuntario del disyuntor térmico.

- Compruebe siempre la temperatura de la comida infantil en el dorso de la mano antes de dar de comer a su bebé.
- Compruebe siempre la consistencia de la comida infantil. Asegúrese de que no hay trozos.
- Cuando el proceso de cocción al vapor (máx. 20 minutos) finalice, no vuelva a preparar al vapor ni recaliente la comida para el bebé.
- Utilice únicamente la espátula suministrada para extraer los alimentos de la jarra.
- Si elimina los depósitos de cal de forma regular, evitará el deterioro del aparato.
- Apague el aparato y desenchúfelo de la fuente de alimentación antes de cambiar los accesorios o tocar alguna de las piezas que está en movimiento durante su funcionamiento.
- Tenga cuidado al manipular las cuchillas al vaciar la jarra y durante la limpieza.
- Desenchufe siempre el aparato de la fuente si se deja desatendido.
- Los niños no deben llevar a cabo la limpieza ni el mantenimiento.

Sistema de seguridad

El aparato está equipado con un bloqueo de seguridad integrado y sólo funciona si ha montado correctamente todas las piezas en la unidad motora. Si es así, se desactivará el bloqueo de seguridad. El aparato está equipado con una protección contra el sobrecalentamiento. Podría ocurrir un sobrecalentamiento si el tiempo entre los dos procesos de cocción al vapor es demasiado corto, si la función de batidora se utiliza durante demasiado tiempo o si hay demasiados ingredientes en la jarra. Si la protección contra el sobrecalentamiento apaga el aparato durante el uso, coloque la rueda de control en la posición 0 y deje que el aparato se enfríe durante unos minutos. Después, ya puede volver a utilizar el aparato.

Campos electromagnéticos (CEM)

Este aparato de Philips cumple los estándares y las normativas aplicables sobre exposición a campos electromagnéticos.

Antes de utilizarlo por primera vez

- 1** Quite el material de embalaje del aparato.
- 2** Limpie todas las piezas excepto la unidad motora (consulte el capítulo 'Limpieza y mantenimiento').

Uso del aparato

Compruebe siempre la temperatura de la comida infantil en el dorso de la mano antes de dar de comer a su bebé.

Antes de extraer la tapa, asegúrese siempre de que se ha enfriado después del proceso de preparación al vapor para agregar más ingredientes para batirlos, si es necesario. No exceda el nivel máximo indicado en la jarra.

Vacíe el depósito de agua antes de rellenarlo para comenzar un nuevo proceso de cocción al vapor.

Asegúrese siempre de que el borde superior de la unidad de cuchillas verde no esté cubierto de alimentos cuando empiece la cocción al vapor.

No exceda el nivel máximo indicado en la jarra (450 ml) cuando bata líquidos.

Este aparato está diseñado para cocer al vapor ingredientes sólidos y frescos y, a continuación, batirlos para obtener la comida para bebés. Consulte el libro de recetas para ver algunos ejemplos. Normalmente, primero cocerá al vapor los ingredientes y, a continuación, los batirá. Sin embargo, también puede utilizar el aparato sólo para cocer al vapor o batir. Cuando utilice el aparato sólo para batir, sáltese las secciones "Llenado del depósito de agua" y "Cocción al vapor" y sólo siga las instrucciones de la sección "Batido". Después de batir, nunca cueza al vapor alimentos ya batidos. Nunca cueza al vapor el mismo lote de ingredientes durante más de 20 minutos ni más de una vez. Este aparato NO está diseñado para:

- Descongelar alimentos
- Cocer al vapor alimentos congelados
- Cocer al vapor alimentos ya batidos
- Cocer al vapor los mismos ingredientes durante más de 20 minutos
- Preparación de arroz y pasta
- Primero mezcle los ingredientes y, a continuación, cuézalos al vapor
- Calentamiento de líquidos, por ejemplo sopa o agua
- Mantener los alimentos calientes durante varias horas
- Recalentamiento de alimentos

Llenado del depósito de agua**1 Llene el vaso medidor con agua hasta el nivel necesario (fig. 3).**

El vaso medidor muestra los mililitros y los tiempos de vaporización correspondientes en minutos. Consulte el libro de recetas adjunto para utilizar las cantidades recomendadas para las recetas.

Nota: No exceda el nivel máximo indicado en el vaso medidor (200 ml) para asegurarse de que no llena en exceso el depósito de agua.

Nota: Le aconsejamos no utilizar agua mineral, ya que los minerales de este tipo de agua provocan acumulación de cal en el interior del depósito de agua.

2 Llene de agua la abertura de llenado y cierre la tapa (fig. 4).

Nota: Nunca introduzca nada que no sea agua en el depósito de agua.

Proceso de vaporización

Si ciertas verduras y frutas se cuecen al vapor de forma gradual, serán el alimento perfecto para los bebés que comienzan a comer comida sólida. La cocción al vapor es el método más saludable de preparar comida, ya que se conservan muchas vitaminas y otros nutrientes.

Nota: Puede encontrar recetas y tiempos de preparación para las mismas en el libro de recetas incluido. Tenga en cuenta que las recetas variarán dependiendo de la edad del niño.

Nota: No cueza al vapor ingredientes congelados porque el aparato no puede calentar alimentos congelados a la temperatura necesaria para cocerlos. Siempre descongele los ingredientes sólidos congelados antes de cocerlos en este aparato. Sacuda cualquier exceso de agua de los ingredientes descongelados antes de colocarlos en la jarra.

1 Coloque la unidad de cuchillas sobre el soporte de la unidad de cuchillas de la jarra (fig. 5).**2 Parta los ingredientes sólidos en pequeños trozos (cubos que no sean más grandes de 2 o 3 cm) antes de ponerlos en la jarra.**

Nota: No procese gran cantidad de ingredientes sólidos al mismo tiempo; procéselos en pequeños lotes.

3 Ponga los ingredientes en la jarra (fig. 6).

Nota: No exceda del borde superior de la unidad de cuchillas verde.

Nota: Nunca coloque agua ni ningún otro líquido en la jarra para cocer al vapor, para evitar daños en el aparato.

4 Coloque la válvula en la tapa (fig. 7).

Nota: Asegúrese de que la válvula está fijada correctamente.

5 Coloque el tamiz en la tapa de la jarra (oír un “clic”) (fig. 8).

6 Coloque la tapa en la jarra y gírela en el sentido de las agujas del reloj para fijarla. Los pequeños salientes de la tapa deben encajar en las ranuras de la jarra. Asegúrese de que el gran saliente de la tapa se coloca exactamente sobre el asa de la jarra (fig. 9).

7 Coloque la jarra boca abajo en la unidad motora, es decir, con la tapa hacia abajo. Asegúrese de que el asa esté hacia la derecha y está colocada correctamente (fig. 10).

Nota: El aparato no comienza la cocción al vapor si la jarra y el asa no están en la posición correcta.

8 Gire el botón de control hacia la posición de cocción al vapor.

- El piloto de vapor se ilumina en naranja para indicar que el aparato está cocinando al vapor (fig. 11).

El vapor o el agua calientes podrían quemarle los dedos. No toque las piezas calientes ni el vapor y evite que los niños lo hagan, ya que podrían quemarse (fig. 12).

- El tiempo de cocción al vapor depende de la cantidad de agua que haya introducido en el depósito de agua. Consulte la tabla del capítulo “Ingredientes y tiempos de cocción” y el libro de recetas.
- Cuando el proceso de cocción al vapor ha finalizado, el aparato emite un sonido y el piloto de vapor se apaga.

9 Coloque el botón de control en la posición de apagado. Espere 2 minutos hasta que no salga vapor por la salida de vapor, para evitar quemaduras causadas por el vapor caliente. (fig. 13)

Nota: Si desea preparar al vapor otro lote de ingredientes, deje que el aparato se enfríe durante 10 minutos antes de empezar a cocinar al vapor otra vez.

10 Si desea continuar batiendo los alimentos cocidos al vapor, siga las instrucciones de la siguiente sección “Batir después de cocinar al vapor”.

11 En condiciones normales, no queda nada de agua en el depósito de agua después de la cocción al vapor. Sin embargo, en algunas situaciones (por ejemplo, en caso de formación de depósitos de cal dentro del depósito de agua, la interrupción del proceso de cocción al vapor o el uso involuntario), podría quedar un poco de agua en el depósito de agua. En este caso, vacíe el depósito de agua completamente después del uso para evitar la aparición de bacterias. Para eliminar los depósitos de cal en el depósito de agua, consulte el capítulo “Limpieza y mantenimiento”.

Batir después de cocinar al vapor

1 Tome la jarra por el asa y extráigala de la unidad motora. Gírela y agítela de manera que la comida caiga en la unidad de cuchillas (fig. 14).

Toque únicamente el asa de la jarra, ya que tanto la tapa como la parte inferior y la parte externa de la superficie de la jarra estarán calientes (fig. 15).

2 Si es necesario, extraiga la tapa y añada ingredientes adicionales para batirlos (por ejemplo, agua o aceite).

Asegúrese siempre de que la tapa de la jarra y la tapa del depósito de agua se hayan enfriado después de la cocción al vapor antes de abrirlas para agregar más ingredientes a la jarra o extraer el agua restante del depósito de agua.

Después de que haya introducido líquidos en la jarra, nunca coloque la misma en la posición de cocción al vapor.

3 Coloque la jarra en posición vertical en la unidad motora, es decir, con la apertura de la tapa hacia arriba. Asegúrese de que el asa esté a la derecha y colocada entre los dos salientes del área de bloqueo (fig. 16).

4 Gire el botón de control a la posición de batido. Mantenga el botón en esta posición hasta que los alimentos se hayan mezclado correctamente (fig. 17).

Evite que el aparato bata durante más de 30 segundos seguidos. Si no ha acabado de batir en 30 segundos, apague el aparato y espere unos segundos antes de continuar. Si el aparato se calienta, deje que se enfríe durante unos minutos antes de continuar.

Nota: Si los ingredientes se pegan a la pared de la jarra, apague el aparato y despréndalos con una espátula o algo de líquido.

Nota: Asegúrese de que la comida infantil tiene la consistencia correcta (no tiene grumos) antes de servirla.

Nota: Si la comida infantil aún está demasiado sólido, añada algo de líquido (por ejemplo, agua) hasta que esté blando y suave.

5 Cuando haya acabado de batir, suelte el botón de control (fig. 18).

- El botón vuelve automáticamente a la posición de apagado.

6 Desenchufe el aparato.

7 Retire la unidad de cuchillas. Tenga cuidado al quitar la unidad de cuchillas, ya que puede estar caliente. Retire de la jarra los alimentos batidos. Si es necesario, use la espátula incluida con el aparato.

Asegúrese de que la comida infantil esté a una temperatura adecuada para el bebé.

8 En condiciones normales, no queda nada de agua en el depósito de agua después de la cocción al vapor. Sin embargo, en algunas situaciones (por ejemplo, en caso de formación de depósitos de cal dentro del depósito de agua, la interrupción del proceso de cocción al vapor o el uso involuntario), podría quedar un poco de agua en el depósito de agua. En este caso, vacíe el depósito de agua completamente después del uso para evitar la aparición de bacterias. Para eliminar los depósitos de cal en el depósito de agua, consulte el capítulo "Limpieza y mantenimiento".

Batir sin cocer al vapor

El aparato sirve para:

- hacer comida infantil para bebés con ingredientes cocinados al vapor
- batir líquidos y frutas para las bebidas del bebé

El aparato no está indicado para picar ingredientes duros como cubitos de hielo o terrones de azúcar.

Después de que haya introducido líquidos en la jarra, nunca coloque la misma en la posición de cocción al vapor.

Nota: Cuando bata líquidos, asegúrese de no llenar la jarra por encima de la indicación de máximo de la jarra.

Nota: Nunca cueza al vapor comida para bebé después de haberla batido.

1 Coloque la unidad de cuchillas sobre el soporte de la unidad de cuchillas de la jarra (fig. 5).

2 Parta los ingredientes sólidos en pequeños trozos (cubos que no sean más grandes de 2 o 3 cm) antes de ponerlos en la jarra.

Consejo: No procese gran cantidad de ingredientes sólidos al mismo tiempo; proceselos en pequeños lotes.

3 Ponga los ingredientes en la jarra. (fig. 6)

Nota: No exceda del borde superior de la unidad de cuchillas verde.

4 Coloque la válvula en la tapa (fig. 7).

Nota: Asegúrese de que la válvula está fijada correctamente.

5 Coloque el tamiz en la tapa de la jarra (oirá un “clic”) (fig. 8).

6 Coloque la tapa en la jarra y gírela en el sentido de las agujas del reloj para fijarla. Los pequeños salientes de la tapa deben encajar en las ranuras de la jarra. Asegúrese de que el gran saliente de la tapa se coloca exactamente sobre el asa de la jarra. (fig. 9)

7 Coloque la jarra en posición vertical en la unidad motora, es decir, con la apertura de la tapa hacia arriba. Asegúrese de que el asa esté a la derecha y colocada entre los dos salientes del área de bloqueo (fig. 16).

8 Gire el botón de control a la posición de batido. Mantenga el botón en esta posición tanto tiempo como sea necesario pero nunca más de 30 segundos (fig. 17).

Nota: Si los ingredientes se pegan a la pared de la jarra, apague el aparato y despréndalos con una espátula o un poco de líquido. No exceda el indicador de nivel máximo de la jarra.

Nota: Asegúrese de que la comida infantil tiene la consistencia correcta (no tiene grumos) antes de servirla.

Nota: Si la comida infantil aún está demasiado sólido, añada algo de líquido (por ejemplo, agua) hasta que esté blando y suave. No exceda el indicador de nivel máximo de la jarra.

Nota: Nunca cueza al vapor comida para bebé después de haberla batido.

Evite que el aparato bata durante más de 30 segundos seguidos. Si no ha acabado de batir en 30 segundos, apague el aparato y espere unos segundos antes de continuar. Si la unidad motora se calienta, deje que se enfríe durante unos minutos antes de continuar.

9 Cuando haya acabado de batir, suelte el botón de control. (fig. 18)

- El botón vuelve automáticamente a la posición de apagado.

10 Desenchufe el aparato.

11 Retire la unidad de cuchillas. Tenga cuidado al quitar la unidad de cuchillas, ya que puede estar caliente. Retire de la jarra los alimentos batidos. Si es necesario, use la espátula incluida con el aparato.

Asegúrese de que la comida infantil esté a una temperatura adecuada para el bebé.

Ingredientes y tiempos de cocción

Tipo de alimento	Ingrediente	Tiempo de cocción aproximado*
Fruta	Manzana	5 minutos
	Naranja	10 min
	Melocotón	10 min
	Pera	5 minutos
	Piña	15 min.
Verduras	Ciruela	10 min
	Espárrago	10 min

Tipo de alimento	Ingrediente	Tiempo de cocción aproximado*
	Brécol	20 minutos
	Zanahoria	15 min.
	Coliflor	15 min.
	Apio	15 min.
	Calabacín	15 min.
	Hinojo	15 min.
	Guisantes franceses	20 minutos
	Puerro	15 min.
	Cebolla	15 min.
	Guisantes	20 minutos
	Pimiento	15 min.
	Patata	20 minutos
	Calabaza	15 min.
	Espinacas	15 min.
	Nabo sueco	15 min.
	Boniato	15 min.
	Tomate	15 min.
Carne	Pollo, ternera, cordero, cerdo, etc.	20 minutos
Pescado	Salmón, lenguado, bacalao, trucha, etc.	15 min.

* Todos los alimentos se deben trocear en pequeños cubos no más grandes de 2 o 3 cm.

Nota: El vaso medidor muestra los mililitros y los tiempos de cocción al vapor correspondientes en minutos (50 ml = 5 minutos, 100 ml = 10 minutos, 150 ml = 15 minutos, 200 ml = 20 minutos).

Limpieza y mantenimiento

Limpie siempre el aparato después de usarlo.

No sumerja nunca la unidad motora en agua.

Nunca utilice soluciones o pastillas con lejía o con esterilizadores químicos en el aparato.

No utilice estropajos, agentes abrasivos ni líquidos agresivos, como gasolina, acetona o alcohol para limpiar el aparato.

- 1** Desenchufe el aparato y quite la jarra de la unidad motora (fig. 19).
- 2** Extraiga la tapa de la jarra y póngala boca abajo (fig. 20).
- 3** Extraiga el tamiz y la válvula de la tapa. (fig. 21)
- 4** Lave la válvula en agua tibia con un poco de detergente líquido y aclárela bajo el grifo.

5 Extraiga la unidad de cuchillas de la jarra (fig. 22).

6 Lave bien la unidad de cuchillas bajo el grifo inmediatamente después de su uso. Asegúrese de aclarar también la parte interior del tubo de la unidad motora (fig. 23).

Manipule las cuchillas con mucho cuidado. Los bordes están muy afilados.

Nota: Si desea lavar a fondo la unidad de cuchillas, también la puede colocar en el lavavajillas después de haberla aclarado.

7 Lave las otras piezas que hayan estado en contacto con los alimentos con agua caliente y un poco de detergente líquido. Hágalo inmediatamente después de usar el aparato.

Nota: Todas las piezas se pueden lavar en el lavavajillas excepto la unidad motora.

8 Si es necesario, limpie la unidad motora con un paño húmedo.

9 Compruebe si se han introducido restos de alimentos en el depósito de agua. Puede hacerlo mirando la abertura de llenado para ver si hay restos de alimentos en ella o comprobando si el agua tiene un color inusual o si el depósito de agua produce un desagradable o un olor a quemado. Si este es el caso, limpie el depósito de agua (consulte sección “Limpieza del depósito de agua” de este capítulo).

10 Deje la tapa de la abertura de llenado abierta para evitar la aparición de bacterias.

Eliminación de los depósitos de cal del depósito de agua

Si se introducen restos de alimentos en el depósito de agua, éstos pueden atascarse en la resistencia del depósito de agua durante los próximos procesos de cocción al vapor. Estos restos no pueden eliminarse sólo enjuagando el depósito de agua.

Además, tiene que eliminar los depósitos de cal cada cuatro semanas para garantizar que el aparato funcione correctamente. Para reducir la formación de depósitos de cal, es útil utilizar agua hervida o filtrada en el aparato.

Para eliminar los restos de alimentos de dentro del depósito de agua y para eliminar los depósitos de cal del aparato, siga las siguientes instrucciones para eliminar los depósitos de cal.

1 Asegúrese de que el aparato está apagado.

2 Añada 50 ml de vinagre blanco (8 % de ácido acético) por cada 150 ml de agua.

Nota: También puede utilizar descalcificadores a base de ácido cítrico. No utilice otros tipos de descalcificadores.

3 Llene el depósito de agua con la solución de vinagre (o ácido cítrico) y el agua.

4 Cierre la tapa de la abertura de llenado.

5 Coloque la jarra vacía (sin ningún alimento dentro) completamente montada en la unidad de cuchillas y coloque la tapa en la unidad motora en la posición de cocción al vapor (es decir, con la tapa hacia abajo).

6 Gire el botón de control hacia la posición de cocción al vapor.

- El piloto de vapor se ilumina en naranja para indicar que el aparato está cocinando al vapor.

7 Apague el aparato después de 5 o 6 minutos de cocción al vapor y desenchúfelo.

8 Extraiga la solución utilizada de vinagre blanco (8 % de ácido acético) y el agua del depósito de agua (fig. 24).

9 Enjuague bien el depósito de agua y la jarra con agua limpia varias veces.

10 Llene el depósito de agua con 200 ml de agua y deje que el aparato finalice un proceso de cocción al vapor de 20 minutos con la jarra vacía antes de utilizarlo otra vez con comida.

11 Deje la tapa de la abertura de llenado abierta para evitar la aparición de bacterias.

Reciclaje

- Este símbolo significa que este producto no debe desecharse con la basura normal del hogar (2012/19/UE) (fig. 25).
- Siga la normativa de su país para la recogida selectiva de productos eléctricos y electrónicos. El correcto desecho de los productos ayuda a evitar consecuencias negativas para el medioambiente y la salud humana.

Almacenamiento

- 1** Vacíe el depósito de agua antes de guardar el aparato (fig. 24).
- 2** Antes de guardar el aparato compruebe que todas las piezas están limpias y secas (consulte el capítulo "Limpieza y mantenimiento").
- 3** Guarde el aparato con la unidad de cuchillas en la jarra para evitar daños.
- 4** No coloque la tapa en la jarra y deje la tapa de abertura de llenado abierta para evitar la aparición de bacterias.

Garantía y asistencia

Si necesita ayuda o información, visite www.philips.com/support o lea el folleto de garantía mundial independiente.

Especificaciones técnicas

- Voltaje/vatios: consulte la placa de características de la parte inferior del aparato.
- Capacidad máxima del depósito de agua: 200 ml.
- Capacidad máxima de la jarra con ingredientes líquidos: 450 ml.
- Protección: sistema de calentamiento con temperatura controlada y bloqueo de seguridad.

Guía de resolución de problemas

En este capítulo se resumen los problemas más frecuentes que pueden surgir con el aparato. Si no puede resolver el problema con la siguiente información, visite www.philips.com/support para consultar una lista de preguntas más frecuentes o póngase en contacto con el Servicio de Atención al Cliente en su país.

Problema	Posible causa	Solución
El aparato no funciona.	El aparato está equipado con un bloqueo de seguridad. Si las piezas no se han montado correctamente en la unidad motora, el aparato no funciona.	Monte todas las piezas correctamente. Consulte el capítulo 'Uso del aparato'.
El piloto de vapor no se ilumina.	El aparato no está conectado a la red.	Enchufe el aparato a la toma de corriente.

Problema	Posible causa	Solución
	La jarra no se ha colocado correctamente en la unidad motora.	Coloque la jarra de la batidora sobre la unidad motora.
	Si desea iniciar otro proceso de cocción al vapor justo después de que se haya completado el primero.	Apague el aparato y deje que se enfríe durante unos minutos antes de iniciar el segundo proceso de vaporización.
Los ingredientes no se calientan completamente.	Las piezas de la jarra son demasiado grandes, hay demasiada comida en la jarra o no ha cocido la comida durante el tiempo suficiente.	Corte el alimento en pedazos más pequeños (2-3 cm), disminuya la cantidad de alimentos en la jarra o seleccione un tiempo de cocción al vapor más largo (máx. 20 minutos). Compruebe el libro de recetas o la tabla del capítulo "Ingredientes y tiempos de cocción" para asegurarse de que seleccione el tiempo de cocción al vapor correcto para los ingredientes que desea cocer al vapor o la receta que desea preparar.
El aparato no produce vapor:	No ha puesto agua en el aparato.	Apague el aparato y deposite la cantidad correcta de agua en él.
	No ha colocado la jarra en la unidad motora en la posición correcta.	Coloque la jarra en el aparato en la posición correcta (consulte sección "Cocción al vapor" del capítulo "Uso del aparato").
El proceso de cocción al vapor es demasiado largo o la función de cocción al vapor no funciona.	Hay demasiada cal en el depósito de agua.	Elimine los depósitos de cal del depósito de agua. Consulte la sección "Eliminación de los depósitos de cal" del capítulo "Limpieza y mantenimiento".
Sale vapor por la abertura de llenado.	La tapa de la abertura de llenado no está cerrada correctamente.	Cierre la tapa de la abertura de llenado correctamente ("clic").
	La salida de vapor de la unidad motora está bloqueada por alimentos o cal.	Limpie la salida de vapor con un objeto puntiagudo sin dañar el sellado y en el futuro siga las instrucciones sobre eliminación de depósitos de cal. Consulte la sección "Eliminación de los depósitos de cal" del capítulo "Limpieza y mantenimiento".
	El orificio de vapor de la tapa está bloqueado.	Extraiga la válvula y limpie el orificio de vapor de la tapa correctamente.

Problema	Posible causa	Solución
El piloto de vapor se vuelve a iluminar cuando finaliza el proceso de cocción al vapor. Después de algún tiempo, el aparato vuelve a zumbar.	Ha dejado la jarra sobre la base durante más de 10 minutos sin apagar el aparato.	Apague el aparato 10 minutos después de finalizar el proceso de cocción al vapor y después bata los alimentos o sáquelos de la jarra.
La unidad de cuchillas o la unidad motora están bloqueadas	Hay demasiados alimentos en la jarra.	Apague el aparato y procese una cantidad más pequeña. No llene la jarra excediendo del borde superior de la unidad de cuchillas verde.
La unidad motora desprende un olor desagradable las primeras veces que se utiliza.	Esto es normal.	Si el aparato continúa desprendiendo este olor después de haberlo utilizado varias veces, compruebe si la cantidad y el tiempo de procesado son correctos. Consulte el capítulo "Ingredientes y tiempos de cocción".
El aparato sigue desprendiendo un olor desagradable después de haberlo utilizado varias veces.	Ha puesto demasiada comida en la jarra o ha dejado que el aparato batiera durante demasiado tiempo.	Procese pequeñas cantidades y no deje que el aparato bata durante más de 30 segundos seguidos.
El aparato hace mucho ruido, emite un olor desagradable, se calienta mucho, desprende humo, etc.	Hay demasiados alimentos en la jarra.	Apague el aparato y procese una cantidad menor.
	El aparato ha estado funcionando demasiado tiempo sin interrupción.	No deje que el aparato bata durante más de 30 segundos seguidos.
La tapa de la jarra gotea.	No ha colocado la tapa correctamente sobre la jarra.	Coloque la tapa correctamente sobre la jarra. Consulte el capítulo "Uso del aparato".
	Hay demasiados alimentos en la jarra.	Apague el aparato y procese una cantidad menor.
Hay puntos blancos en la abertura de llenado o en la jarra, en el tamiz y en la tapa.	Esto se debe a que se ha formado cal en estas piezas.	Esto es algo normal. Elimine la cal de forma periódica. Consulte la sección "Eliminación de los depósitos de cal" del capítulo "Limpieza y mantenimiento".

Problema	Posible causa	Solución
El aparato produce mucho ruido mientras está batiendo.	El tamiz no está colocado en la tapa de la jarra.	Asegúrese de que el tamiz está colocado en la tapa de la jarra.
El agua del depósito de agua tiene un color inusual cuando la extrae del depósito de agua o cuando se introduce en la jarra durante la cocción al vapor; o el agua del depósito de agua tiene un olor desagradable.	Se han introducido restos de alimentos en el depósito de agua durante el uso.	Limpie el depósito de agua según las instrucciones de la sección "Limpieza del depósito de agua" del capítulo "Limpieza y mantenimiento". Utilice el aparato siguiendo estrictamente las instrucciones. Asegúrese de no llenar en exceso el depósito de agua (máximo 200 ml) y de que no llena en exceso la jarra con alimentos (no llene la jarra excediendo del borde superior de la unidad de cuchillas verde). No cueza al vapor los mismos ingredientes durante más de 20 minutos y no introduzca agua para cocer al vapor directamente en la jarra. También asegúrese de que la válvula está bien fijada en la tapa.
Un olor a alimentos tostados o quemados sale del depósito de agua	Se han introducido restos de alimentos en el depósito de agua durante el uso y se han atascado en la resistencia.	Limpie el depósito de agua según las instrucciones de la sección "Limpieza del depósito de agua" del capítulo "Limpieza y mantenimiento". Utilice el aparato siguiendo estrictamente las instrucciones. Asegúrese de no llenar en exceso el depósito de agua (máximo 200 ml) y de que no llena en exceso la jarra con alimentos (no llene la jarra excediendo del borde superior de la unidad de cuchillas verde). No cueza al vapor los mismos ingredientes durante más de 20 minutos y no introduzca agua para cocer al vapor directamente en la jarra. También asegúrese de que la válvula está bien fijada en la tapa.
Hay puntos oscuros en la comida para bebé o el agua de la jarra tiene un color inusual.	Se han introducido restos de alimentos en el depósito de agua durante el uso y se han atascado en la resistencia. Esto provoca que estos restos de alimentos se introduzcan en la jarra durante el proceso de cocción al vapor.	Limpie el depósito de agua según las instrucciones de la sección "Limpieza del depósito de agua" del capítulo "Limpieza y mantenimiento". Utilice el aparato siguiendo estrictamente las instrucciones. Asegúrese de no llenar en exceso el depósito de agua (máximo 200 ml) y de que no llena en exceso la jarra con alimentos (no llene la jarra excediendo del borde superior de la unidad de cuchillas verde). No cueza al vapor los mismos ingredientes durante más de 20 minutos y no introduzca agua para cocer al vapor directamente en la jarra. También asegúrese de que la válvula está bien fijada en la tapa.

El enchufe macho de conexión debe ser conectado solamente a un enchufe hembra de las mismas características técnicas del enchufe en materia.

Johdanto

Onnittelut ostoksestasi ja tervetuloa Philips Avent -tuotteiden käyttäjäksi! Hyödynnä Philips Aventin tuki ja rekisteröi tuotteesi osoitteessa www.philips.com/welcome.

Höyrykeittimen ja tehosekoittimen yhdistelmä sopii erityisesti pienten vauvanruokamäärien valmistukseen. Vanhempien on helppo valmistaa vauvanruokaa, kun höyrytys- ja soseutustoiminnot ovat samassa laitteessa.

Yleiskuvaus (Kuva 1)

- 1 Kansi, jossa on höyryaukko
- 2 Siivilä
- 3 Teräyksikkö
- 4 Kannu, jossa on teräyksikön teline
- 5 Vesisäiliön täyttöaukko
- 6 Rungon höyrynpistoaukko
- 7 Kahvan lukitusalue
- 8 Runko
- 9 Höyrytysvalo
- 10 Valitsin
- 11 Venttiili
- 12 Lasta
- 13 Mittamuki
- 14 Laitteen pohja ja virtajohto

Tärkeää

Lue tämä käyttöopas huolellisesti ennen käyttöä ja säilytä se myöhempiä tarvetta varten.

Vaara

- Älä upota runkoa veteen tai muuhun nesteeseen. Älä myöskään huuhtelee sitä vesihanalla.

Varoitus

- Tarkista, että laitteeseen merkitty käyttöjännite vastaa paikallista verkkojännitettä, ennen kuin liität laitteen pistorasiaan.
- Älä käytä laitetta, jos pistoke, johto tai itse laite on vaurioitunut.
- Jos virtajohto on vahingoittunut, se on oman turvallisuutesi vuoksi hyvä vaihdattaa Philipsin valtuuttamassa huoltoliikkeessä tai muulla ammattitaitoisella korjaajalla.
- Laitetta voivat käyttää myös henkilöt, joiden fyysinen tai henkinen toimintakyky on rajoittunut tai joilla ei ole kokemusta tai tietoa laitteen käytöstä, jos heitä on neuvottu laitteen turvallisesta käytöstä tai tarjolla on turvallisen käytön edellyttämä valvonta ja jos he ymmärtävät laitteeseen liittyvät vaarat.
- Lapset eivät saa käyttää laitetta. Pidä laite ja sen virtajohto poissa lasten ulottuvilta.
- Lasten ei pidä leikkiä laitteella.

- Älä koske teräyksikön teriin etenkään, kun laitteen virtajohto on kytketty pistorasiaan tai kun puhdistat laitetta. Terät ovat erittäin terävät.
- Jos teräyksikkö juuttuu paikalleen, irrota pistoke pistorasiasta, ennen kuin irrotat kiinni juuttuneet ainekset.
- Laite tulee höyrytyksen aikana hyvin kuumaksi ja voi koskettaessa aiheuttaa palovamman. Nosta kannua vain kahvasta.
- Varo kuumaa höyryä, jota tulee kannusta höyrytyksen aikana ja kantta irrotettaessa.
- Varo kuumaa höyryä, jota tulee vesisäiliön täyttöaukosta kantta avattaessa.
- Kun höyrytys on valmis, kuumaa höyryä tulee edelleen rungon höyrynoistoaukosta ja kannun kannen höyryaukosta jonkin aikaa. Ole varovainen nostaessasi kannua pois rungosta.
- Jos laitetta käytetään väärin, kuumaa höyryä voi päästä ulos täyttöaukosta. Ohjeita tämän välttämiseksi on kohdassa Vianmäärittäminen.
- Älä jätä laitetta käyntiin ilman valvontaa.
- Älä pura runkoa huoltoa ja puhdistusta varten. Toimita laite Philipsin valtuuttamaan huoltoliikkeeseen korjattavaksi.

Varoitus

- Älä koskaan käytä osia, jotka eivät ole Philipsin valmistamia tai suosittelemia. Jos käytät tällaisia osia, takuu raukeaa.
- Älä laita laitetta kuumalle liedelle.
- Irrota pistoke pistorasiasta ja anna laitteen jäähtyä ennen puhdistamista.
- Älä koskaan käytä kannua tai laitteen muita osia mikroaaltouunissa. Kannun kahvan ja teräyksikön metalliosat eivät sovellu mikroaaltouuniin.
- Älä koskaan steriloi kannua tai laitteen muita osia sterilointilaitteessa tai mikroaaltouunissa. Kannun kahvan ja teräyksikön metalliosat eivät sovellu tällaiseen käyttöön.
- Tämä laite on tarkoitettu vain kotitalouksien käyttöön. Jos laitetta käytetään väärin tai (puoli-)ammattillisessa tarkoituksessa tai jos sitä on käytetty käyttöohjeen vastaisesti, takuu mitätöityy eikä Philips vastaa mahdollisista vahingoista.
- Ole varovainen, kun kaadat kuumaa nestettä sekoituskannuun, sillä kuuma neste ja höyry voivat ryöpytä astiasta ja aiheuttaa palovammoja.
- Anna laitteen jäähtyä noin 10 minuuttia, ennen kuin höyrytät toisen aineserän.
- Laitetta ei ole tarkoitettu kovien aineiden, esimerkiksi jääkuutioiden tai sokeripalojen, murskaamiseen.
- Soseuta laitteella enintään 30 sekuntia kerrallaan. Jos soseuttamista on jatkettava 30 sekunnin kuluttua, katkaise laitteesta virta ja odota

muutama sekunti ennen kuin jatkat. Jos laite kuumenee, anna sen jäähtyä muutaman minuutin ajan ennen kuin jatkat.

- Aseta laite tukevalle, vaakasuoralle ja tasaiselle pinnalle. Varmista, että sen ympärillä on tarpeeksi tilaa, jotta esim. kaapit tai muut esineet eivät vahingoitu laitteen tuottaessa kuumaa höyryä käytön aikana.
- Älä käytä laitetta, jos se on pudonnut tai jollain tavalla vahingoittunut. Toimita laite Philipsin valtuuttamaan huoltoliikkeeseen korjattavaksi.
- Vältäksesi laitteen vahingoittumisen älä koskaan laita vettä, muuta nestettä tai soseutettua ruokaa höyrytyskannuun.
- Älä käytä höyrytystoimintoa ilman vettä.
- Älä täytä vesisäiliötä liian täyteen (enintään 2 dl). Älä ylitä mittamukin enimmäismäärämerkkiä.
- Höyryttäessäsi aineksia varmista, ettet täytä kannua liian täyteen. Varmista, ettei ruoka peitä vihreän teräyksikön yläreunaa (Kuva 2).
- Kun käytät nesteitä soseutettaessa älä ylitä kannuun merkittyä enimmäistasoa (4,5 dl).
- Älä laita mitään esineitä täyttö- tai höyryaukkoon.
- Älä lisää vesisäiliöön vettä höyrytyksen aikana, sillä laitteesta voi tällöin roiskua kuumaa vettä ja höyryä.
- Varmista aina, että kansi on jäähtynyt höyrytyksen jälkeen ennen kuin avaat sen ja mahdollisesti lisäät aineksia soseutettavaksi.
- Lämpökatkaisimen huolimattomasta nollaamisesta johtuvien vaaratilanteiden välttämiseksi laitetta ei saa koskaan liittää aikakytkimeen tai vastaavaan kytkimeen tai piiriin, jonka virta katkaistaan ja kytketään säännöllisesti.
- Tarkista aina ruoan lämpötila ennen kuin alat syöttää lasta.
- Tarkista aina vauvanruoan koostumus. Varmista, ettei siihen ole jäänyt paloja.
- Kun höyrytys (korkeintaan 20 minuuttia) on valmis, älä höyrytä tai lämmitä vauvanruokaa uudelleen.
- Ota ruoka kannusta ainoastaan laitteen mukana toimitetulla lastalla.
- Säännöllinen kalkinpoisto estää laitetta vahingoittumasta.
- Katkaise laitteesta virta ja irrota virtajohto pistorasiasta ennen kuin vaihdat lisäosia tai aiot koskea osiin, jotka liikkuvat käytössä.
- Ole varovainen, kun käsittelet teriä kannua tyhjentäessäsi ja laitetta puhdistaussasi.
- Irrota laitteen virtajohto aina pistorasiasta, kun jätät laitteen ilman valvontaa.
- Lasten ei saa antaa puhdistaa tai huoltaa laitetta.

Turvajärjestelmä

Laitteessa on kiinteä turvalukko. Laite toimii vain, jos kaikki osat on liitetty runkoon oikein. Kun osat ovat asianmukaisesti paikoillaan, kiinteä turvalukko sallii käynnistämisen.

Laite on varustettu myös ylikuumenemissuojalla. Ylikuumeneminen on mahdollista, jos tauko kahden höyrytyksen välillä on liian lyhyt, jos soseutustoimintoa käytetään liian pitkään tai jos kannussa on liikaa aineksia. Jos ylikuumenemissuoja sammuttaa laitteen käytön aikana, aseta valitsinruppi kohtaan 0 ja anna laitteen jäähtyä muutaman minuutin ajan. Tämän jälkeen voit käyttää laitetta uudelleen.

Sähkömagneettiset kentät (EMF)

Tämä Philips-laite vastaa kaikkia sähkömagneettisia kenttiä (EMF) koskevia standardeja ja säännöksiä.

Käyttöönotto

- 1 Poista laitteesta kaikki pakkausmateriaalit.
- 2 Puhdista kaikki osat paitsi runko (katso kohta Puhdistus ja hoito).

Käyttö

Tarkista aina ruoan lämpötila ennen kuin alat syöttää lasta.

Varmista aina, että kansi on jäähtynyt höyrytyksen jälkeen ennen kuin otat sen pois ja lisäät soseutettavia aineksia. Älä ylitä kannuun merkittyä enimmäistasoa.

Tyhjennä vesisäiliö ennen kuin täytät sen uutta höyrytystä varten.

Varmista aina höyrytyksen alussa, että ruoka ei peitä vihreän teräyksikön yläreunaa.

Älä ylitä kannuun merkittyä enimmäismääriä (4,5 dl) aineksia soseutettaessa.

Tämä laite on tarkoitettu tuoreiden, kiinteiden aineiden höyryttämiseen ja niiden soseuttamiseen vauvanruuaksi. Katso esimerkkejä reseptivihosta. Normaalisti ainekset höyrytetään ennen niiden soseuttamista. Laitetta voidaan kuitenkin käyttää myös vain höyryttämiseen tai vain soseuttamiseen. Käyttäessäsi laitetta vain soseuttamiseen ohita osiot "Vesisäiliön täyttäminen" ja "Höyryttäminen" ja noudata vain osion "Soseuttaminen" ohjeita. Älä koskaan höyrytä jo soseutettua ruokaa. Älä koskaan höyrytä samoja aineksia yli 20 minuuttia tai useammin kuin kerran.

Tätä laitetta EI ole tarkoitettu:

- ruoan sulattamiseen
- pakastetun ruoan höyryttämiseen
- jo soseutetun ruoan höyryttämiseen
- samojen aineiden höyryttämiseen yli 20 minuutin ajan
- riisin ja pastan valmistamiseen
- aineiden soseuttamiseen ennen höyryttämistä
- nesteiden, esimerkiksi keiton tai veden lämmittämiseen
- ruoan pitämiseen lämpimänä useiden tuntien ajan
- ruoan uudelleenlämmitykseen

Vesisäiliön täyttäminen

- 1 Ota mittamukiin tarvittava määrä vettä (Kuva 3).

Mittamukissa on asteikko millilitroina ja vastaava höyrytysaika minuutteina. Katso erillisestä reseptivihosta reseptien suosittelemat määrät.

Huomautus: Älä ylitä mittamukiin merkittyä enimmäistasoa (2 dl). Näin varmistat, ettet täytä vesisäiliötä liian täyteen.

Huomautus: Emme suosittele kivennäisveden käyttöä, sillä sen sisältämät mineraalit aiheuttavat kalkkikertymiä vesisäiliöön.

2 Kaada vesi täyttöaukkoon ja sulje kansi (Kuva 4).

Huomautus: Älä koskaan laita vesisäiliöön mitään muuta kuin vettä.

Höyryttäminen

Kun tietyt vihannekset ja hedelmät höyrytetään varovasti, ne sopivat täydellisesti vauvoille, jotka opettelevat syömään kiinteää ruokaa. Höyryttäminen on terveellinen tapa valmistaa ruokaa, koska ruoan vitamiinit ja muut ravintoaineet säilyvät ruoassa.

Huomautus: Reseptit ja valmistusajat ovat erillisessä reseptivihkossa. Huomioi, että reseptit on järjestetty lapsen iän mukaan.

Huomautus: Älä höyrytä jäisiä aineksia, koska laite ei kykene kuumentamaan pakastettua ruokaa höyryttämiseen vaadittavaan lämpötilaan. Sulata aina jäiset ainekset ennen niiden höyrytystä tällä laitteella. Ravista liika vesi sulatetuista aineksista, ennen kuin laitat ne kannuun.

1 Aseta terä kannussa olevaan teräyksikkötelineeseen (Kuva 5).**2** Paloittele kiinteät ainekset (enintään 2-3 cm kokoisiksi), ennen kuin laitat ne kannuun.

Huomautus: Älä aseta kannuun kerralla suurta määrää kiinteitä aineita. Hienonna sen sijaan kiinteät aineet pieninä annoksina.

3 Mittaa aineet sekoituskannuun (Kuva 6).

Huomautus: Älä ylitä vihreän teräyksikön yläreunaa.

Huomautus: Vältäaksesi laitteen vahingoittumisen älä koskaan laita vettä tai muuta nestettä höyrytyskannuun.

4 Aseta venttiili kanteen (Kuva 7).

Huomautus: Varmista, että venttiili kiinnittyy kunnolla.

5 Napsauta siivilä kannun kanteen (Kuva 8).**6** Aseta kansi kannun päälle ja kiinnitä se kiertämällä myötäpäivään. Kannen pienten ulkonemien tulee työntyä kannun uurteisiin. Varmista, että kannen suuri ulkonema asettuu tarkasti kannun kahvan yläpuolelle (Kuva 9).**7** Aseta kannu runkoon ylösalaisin eli kansi alaspäin. Varmista, että kahva on oikealla ja se on kunnolla kiinni (Kuva 10).

Huomautus: Laite ei aloita höyryttämistä, jos kannua ja kahvaa ei ole asetettu oikein.

8 Käännä valitsin höyrytysasentoon.

- Oranssi höyrytysvalo ilmaisee, että laitteen höyrytystoiminto on käytössä (Kuva 11).

Kuuma höyry tai vesi voi polttaa sormia. Älä koske äläkä anna lapsen koskea laitteen kuumia osia tai höyryä, sillä ne voivat aiheuttaa palovammoja (Kuva 12).

- Höyrytysaika riippuu vesisäiliön veden määrästä. Katso lisätietoa taulukosta kohdassa "Ainekset ja höyrytysajat" sekä reseptivihkosta.
- Kun höyrytystoiminto on päättynyt, laitteesta kuuluu merkkiäänäni, ja höyrytysvalo sammuu.

9 Aseta valitsinnuppi pois päältä -asentoon. Odota 2 minuuttia, kunnes höyryä ei enää tule höyrynoistoaukosta. Näin vältät kuuman höyryn aiheuttamat palovammat. (Kuva 13)

Huomautus: Jos haluat höyryttää toisen aineserän, anna laitteen jäähtyä 10 minuutin ajan ennen kuin aloitat höyryttämisen uudelleen.

10 Jos haluat soseuttaa höyrytetyn ruoan, noudata ohjeita kohdassa "Soseutus höyryttämisen jälkeen".

- 11** Normaaliolosuhteissa vesisäiliöön ei jää vettä höyrytyksen jälkeen. Joissakin tilanteissa (esim. jos vesisäiliöön on kertynyt kalkkia, höyrytystoiminto on keskeytetty tai laitetta on käytetty tarkoitukseen sopimattomalla tavalla), vettä voi kuitenkin jäädä vesisäiliöön. Tyhjennä tällöin vesisäiliö käytön jälkeen kokonaan bakteerikasvun estämiseksi. Katso ohjeita kalkin poistamiseen vesisäiliöstä kohdasta ”Puhdistus ja hoito”.

Soseutus höyryttämisen jälkeen

- 1** Tartu kannun kahvaan ja nosta kannu rungosta. Käännä kannu ja ravistele sitä, jotta ruoka putoaa terien päälle (Kuva 14).

Koske vain kannun kahvaan. Kansi, pohja ja kannun ulkopinta ovat kuumia (Kuva 15).

- 2** Avaa tarpeen vaatiessa kansi ja laita kannuun lisää soseutettavia aineksia (esimerkiksi vettä tai öljyä).

Varmista aina, että kannun kansi ja vesisäiliön kansi ovat jäähtyneet höyrytyksen jälkeen, ennen kuin avaat ne ja lisäät aineksia kannuun tai poistat veden vesisäiliöstä.

Älä koskaan aseta kannua höyrytysasentoon pantuasi kannuun nesteitä.

- 3** Aseta kannu runkoon pystyyn eli kansi ylöspäin. Varmista, että kahva on oikealla puolella lukitusalueen kahden pidikkeen välissä (Kuva 16).
- 4** Käännä valitsinnuppi soseutusasentoon. Pidä nuppi tässä asennossa, kunnes ruoka on täysin soseutettu (Kuva 17).

Soseuta laitteella enintään 30 sekuntia kerrallaan. Jos soseuttamista on jatkettava 30 sekunnin kuluttua, katkaise laitteesta virta ja odota muutama sekunti ennen kuin jatkat. Jos laite kuumenee, anna sen jäähtyä muutaman minuutin ajan ennen kuin jatkat.

Huomautus: Jos ainekset tarttuvat kannun reunoihin, katkaise laitteesta virta ja irrota ainekset lastalla tai lisää nestettä.

Huomautus: Varmista, että soseutetun vauvanruoan koostumus on oikeanlainen (siinä ei ole esimerkiksi paakkuja) ennen kuin tarjoilet sen.

Huomautus: Jos vauvanruoka on edelleen liian kiinteää, lisää nestettä (esimerkiksi vettä), kunnes ruoka on pehmeää.

- 5** Kun soseuttamista ei tarvitse enää jatkaa, vapauta valitsin (Kuva 18).

- Valitsin palautuu automaattisesti Off-asentoon.

- 6** Irrota pistoke pistorasiasta.

- 7** Irrota teräyksikkö. Ole varovainen, kun irrotat teräyksikköä, sillä se saattaa olla kuuma. Ota soseutettu ruoka pois kannusta. Tarvittaessa voit käyttää apuna laitteen mukana toimitettua lastaa.

Varmista, että vauvanruoka on sopivan lämpöistä.

- 8** Normaaliolosuhteissa vesisäiliöön ei jää vettä höyrytyksen jälkeen. Joissakin tilanteissa (esim. jos vesisäiliöön on kertynyt kalkkia, höyrytystoiminto on keskeytetty tai laitetta on käytetty tarkoitukseen sopimattomalla tavalla), vettä voi kuitenkin jäädä vesisäiliöön. Tyhjennä tällöin vesisäiliö käytön jälkeen kokonaan bakteerikasvun estämiseksi. Katso ohjeita kalkin poistamiseen vesisäiliöstä kohdasta ”Puhdistus ja hoito”.

Soseuttaminen höyryttämättä

Laite on tarkoitettu

- höyrytettyjen ja keitettyjen vauvanruoka-ainesten soseuttamiseen
- nesteiden ja hedelmien soseuttamiseen vauvojen juomiksi.

Laitetta ei ole tarkoitettu kovien ainesten, esimerkiksi jääkuutioiden tai sokeripalojen, murskaamiseen.

Älä koskaan aseta kannua höyrytasentoon pantuasi kannuun nesteitä.

Huomautus: Kun käytät nesteitä soseutettaessa varmista, että täytät kannun enintään enimmäistasomerkkiin asti.

Huomautus: Älä koskaan höyrytä vauvanruokaa soseutettuasi sen.

1 Aseta terä kannussa olevaan teräyksikköelineeseen (Kuva 5).

2 Paloittele kiinteät ainekset (enintään 2-3 cm kokoisiksi), ennen kuin laitat ne kannuun.

Vinkki: Älä aseta kannuun kerralla suurta määrää kiinteitä aineita. Hienonna sen sijaan kiinteät aineet pieninä annoksina.

3 Mittaa aineet sekoituskannuun. (Kuva 6)

Huomautus: Älä ylitä vihreän teräyksikön yläreunaa.

4 Aseta venttiili kanteen (Kuva 7).

Huomautus: Varmista, että venttiili kiinnittyy kunnolla.

5 Napsauta siivilä kannun kanteen (Kuva 8).

6 Aseta kansi kannun päälle ja kiinnitä se kiertämällä myötäpäivään. Kannen pienten ulkonemien tulee työntyä kannun uurteisiin. Varmista, että kannen suuri ulkonema asettuu tarkasti kannun kahvan yläpuolelle. (Kuva 9)

7 Aseta kannu runkoon pystyyn eli kansi ylöspäin. Varmista, että kahva on oikealla puolella lukitusalueen kahden pidikkeen välissä (Kuva 16).

8 Käännä valitsin soseutusasettoon. Pidä valitsinta tässä asennossa niin kauan kuin on tarpeen, ei kuitenkaan yli 30 sekuntia (Kuva 17).

Huomautus: Jos ainekset tarttuvat kannun reunoihin, sammuta laite ja irrota ne lastalla tai lisää hieman nestettä. Älä ylitä kannuun merkittyä enimmäistasoa.

Huomautus: Varmista, että soseutetun vauvanruoan koostumus on oikeanlainen (siinä ei ole esimerkiksi paakkuja) ennen kuin tarjoilet sen.

Huomautus: Jos vauvanruoka on liian kiinteää, lisää nestettä (esim. vettä), kunnes vauvanruoka on pehmeää ja sileää. Älä ylitä kannuun merkittyä enimmäistasoa.

Huomautus: Älä koskaan höyrytä vauvanruokaa soseutettuasi sen.

Soseuta laitteella enintään 30 sekuntia kerrallaan. Jos soseuttamista on jatkettava 30 sekunnin kuluttua, katkaise laitteesta virta ja odota muutama sekunti ennen kuin jatkat. Jos runko kuumenee, anna sen jäähtyä muutaman minuutin ajan ennen kuin jatkat.

9 Kun soseuttamista ei tarvitse enää jatkaa, vapauta valitsin. (Kuva 18)

- Valitsin palautuu automaattisesti Off-asettoon.

10 Irrota pistoke pistorasiasta.

11 Irrota teräyksikkö. Ole varovainen, kun irrotat teräyksikköä, sillä se saattaa olla kuuma. Ota soseutettu ruoka pois kannusta. Tarvittaessa voit käyttää apuna laitteen mukana toimitettua lastaa.

Varmista, että vauvanruoka on sopivan lämpöistä.

Ainekset ja höyrytysajat		
Ruokalaji	Ainesosa	Arvioitu höyrytysaika*
Hedelmät	Omena	5 min
	Appelsiini	10 min
	Persikka	10 min
	Päärynä	5 min
	Ananas	15 min
	Luumu	10 min
Kasvikset	Parsa	10 min
	Parsakaali	20 min
	Porkkana	15 min
	Kukkakaali	15 min
	Varsiselleri	15 min
	Kesäkurpitsa	15 min
	Fenkoli	15 min
	Tarhapavut	20 min
	Purjo	15 min
	Sipuli	15 min
	Herneet	20 min
	Paprika	15 min
	Peruna	20 min
	Kurpitsa	15 min
	Pinaatti	15 min
	Lanttu	15 min
Bataatti	15 min	
Tomaatti	15 min	
Liha	Kana, nauta, lammas, sika jne	20 min
Kala	Lohi, meriantura, turska, taimen jne	15 min

* Kaikki ruoka on paloitteltava kuutioiksi, joiden koko on enintään 2-3 cm.

Huomaus: Mittamukissa on asteikko millilitroina ja vastaava höyrytysaika minuutteina (50 ml = 5 min, 100 ml = 10 min, 150 ml = 15 min, 200 ml = 20 min).

Puhdistus ja huolto

Puhdista laite aina käytön jälkeen.

Älä upota runkoa veteen.

Älä koskaan käytä laitteessa valkaisuaineita tai kemiallisia sterilointiliuoksia/-tabletteja.

Älä käytä naarmuttavia tai syövyttäviä puhdistusaineita tai -välineitä laitteen puhdistamiseen (kuten bensiiniä, asetonia tai alkoholia).

- 1** Irrota pistoke pistorasiasta ja irrota kannu rungosta (Kuva 19).
- 2** Irrota kansi kannusta ja käännä kansi ylösalaisin (Kuva 20).
- 3** Irrota siivilä ja venttiili kannesta. (Kuva 21)
- 4** Puhdista venttiili kuumassa vedessä käyttäen astianpesuainetta ja huuhtelee hanan alla.
- 5** Irrota teräyksikkö kannusta (Kuva 22).
- 6** Puhdista terä kunnolla juoksevilla vedellä heti käytön jälkeen. Muista huuhdella myös terän sisäpuoli (Kuva 23).

Käsittele teräyksikköä varovasti. Terät ovat erittäin teräviä.

Huomautus: Jos haluat puhdistaa terät perusteellisesti, voit pestä ne tiskikoneessa huuhtelun jälkeen.

- 7** Puhdista aina ruoan kanssa kosketuksissa olleet muut osat lämpimällä pesuainvedellä heti käytön jälkeen.

Huomautus: Runkoa lukuun ottamatta kaikki osat voi pestä myös astianpesukoneessa.

- 8** Puhdista runko tarpeen vaatiessa kostealla liinalla.
- 9** Tarkasta, onko ruoan palasia päässyt vesisäiliöön. Tee niin katsomalla, näkykö täyttöaukosta ruoan palasia, tarkastamalla veden väri ja haistamalla vesisäiliötä epämiellyttävän tai palaneen hajun varalta. Jos havaitset jotakin poikkeavaa, puhdista vesisäiliö (katso kohta "Vesisäiliön puhdistaminen").
- 10** Jätä täyttöaukon kansi auki bakteerikasvun estämiseksi.

Kalkin poistaminen vesisäiliöstä

Jos ruoan palasia pääsee vesisäiliöön, ne saattavat takertua vesisäiliön kuumennusvastukseen seuraavien höyrytyskertojen aikana. Nämä hiukkaset eivät irtoa vain vesisäiliötä huuhtelemalla. Tämän lisäksi laitteesta on poistettava kalkki kuukauden välein, jotta laite toimisi moitteettomasti. Kalkin kertymistä voi vähentää käyttämällä keitettyä tai suodatettua vettä.

Poista ruoan palaset ja kalkki vesisäiliöstä noudattamalla seuraavia kalkinpoisto-ohjeita.

- 1** Varmista, että laitteesta on katkaistu virta.
- 2** Lisää 50 ml ruokaetikkaa (8 % etikkaa) 150 ml:aan vettä.

Huomautus: Voit käyttää myös sitruunahappoa sisältäviä kalkinpoistoaineita. Älä käytä muuntyyppisiä kalkinpoistoaineita.

- 3** Täytä vesisäiliö ruokaetikkaliuoksella (tai sitruunahappoliuoksella) ja vedellä.
- 4** Sulje täyttöaukon kansi.
- 5** Aseta tyhjä kannu (joka ei sisällä lainkaan ruokaa) teräyksiköllä ja kannella varustettuna runkoon höyrytysasentoon (ts. kansi osoittaa alaspäin).
- 6** Käännä valitsin höyrytysasentoon.
 - Oranssi höyrytysvalo ilmaisee, että laitteen höyrytystoiminto on käytössä.
- 7** Sammuta laite 5-6 minuutin höyrytyksen jälkeen ja irrota se pistorasiasta.

- 8** Kaada käytetty ruokaetikkaa (8 % etikkaa) pois vesisäiliöstä (Kuva 24).
- 9** Huuhtelee vesisäiliö ja kannu perusteellisesti raikkaalla vedellä useita kertoja.
- 10** Lisää säiliöön 2 dl vettä ja käytä laitetta yhden 20 minuutin höyrytystoiminnon ajan kannun ollessa tyhjä. Sen jälkeen voit käyttää laitetta jälleen ruoanlaittoon.
- 11** Jätä täyttöaukon kansi auki bakteerikasvun estämiseksi.

Kierrätys

- Tämä merkki tarkoittaa, että tätä tuotetta ei saa hävittää tavallisen kotitalousjätteen mukana (2012/19/EU) (Kuva 25).
- Noudata maasi sähkö- ja elektroniikkalaitteiden erillistä keräystä koskevia sääntöjä. Asianmukainen hävittäminen auttaa ehkäisemään ympäristölle ja ihmisille mahdollisesti koituvia haittavaikutuksia.

Säilytys

- 1** Tyhjennä vesisäiliö ennen laitteen laittamista säilytykseen (Kuva 24).
- 2** Varmista, että kaikki osat ovat puhtaita ja kuivia, ennen kuin laitat laitteen säilytykseen (katso kohta Puhdistaminen ja huolto).
- 3** Laita laitteen säilytyksen ajaksi terä kannuun.
- 4** Älä aseta kantta kannun päälle ja jätä täyttöaukon kansi auki bakteerikasvun välttämiseksi.

Takuu ja tuki

Jos haluat tukea tai lisätietoja, käy Philipsin verkkosivuilla osoitteessa www.philips.com/support tai lue erillinen kansainvälinen takuulehtinen.

Tekniset tiedot

- Jännite/teho: katso laitteen pohjassa olevaa arvokilpeä.
- Vesisäiliön enimmäistilavuus: 2 dl.
- Kannun enimmäistilavuus, nesteet: 4,5 dl.
- Turvallisuus: ylikuumenemissuojia ja turvalukko.

Vianmääritys

Tähän osaan on koottu tavallisimmat laitteen käytössä ilmenevät ongelmat. Ellet löydä ongelmaasi ratkaisua seuraavista tiedoista, lue osoitteesta www.philips.com/support vastauksia usein kysytyihin kysymyksiin tai ota yhteys maasi asiakaspalveluun.

Ongelma	Mahdollinen syy	Ratkaisu
Laite ei toimi.	Laitteessa on turvalukko. Jos laitteen osia ei ole kiinnitetty kunnolla runkoon, laite ei käynnisty.	Kiinnitä kaikki osat kunnolla. Lisäohjeita on kohdassa Käyttö.
Höyrytysvalo ei pala.	Laitetta ei ole liitetty pistorasiaan. Kannu ei ole kunnolla kiinni rungossa.	Työnnä pistoke pistorasiaan. Aseta kannu runkoon.

Ongelma	Mahdollinen syy	Ratkaisu
	Haluat käynnistää toisen höyrytyskerran heti ensimmäisen jälkeen.	Katkaise laitteesta virta ja anna sen jäähtyä muutaman minuutin ajan ennen kuin käynnistät toisen höyrytyksen.
Ainekset eivät kuumennu täysin.	Kannussa olevien ainesten palat ovat liian suuria, kannussa on liikaa ruokaa tai ruokaa ei ole höyrytetty tarpeeksi pitkään.	Pilko ruoka pienemmiksi paloiksi (2-3 cm), vähennä kannussa olevan ruoan määrää tai valitse pidempi höyrytysaika (enintään 20 minuuttia). Tarkista reseptivihkosta ja/tai kohdan "Ainekset ja höyrytysajat" taulukosta, että valitset höyrytettävälle aineksille tai valmistettavalle reseptille oikean höyrytysajan.
Laite ei höyrytä.	Et ole lisännyt laitteeseen vettä.	Katkaise laitteesta virta ja lisää laitteeseen oikea määrä vettä.
	Et ole asettanut kannua runkoon oikeaan asentoon.	Aseta kannu laitteeseen oikeaan asentoon (katso osaa "Höyrytys" kohdassa "Käyttö").
Höyryttäminen kestää liian kauan, tai höyrytystoiminto ei toimi ollenkaan.	Vesisäiliössä on liikaa kalkkia.	Poista vesisäiliöstä kalkki. Katso kohdan "Puhdistus ja hoito" osaa "Kalkinpoisto".
Täyttöaukosta tulee höyryä.	Täyttöaukon kantta ei ole suljettu kunnolla.	Napsauta täyttöaukon kansi kiinni.
	Rungon höyrynpistoaukko on ruoan tai kalkin tukkima.	Puhdista höyrynpistoaukko teräväkärkisellä esineellä vahingoittamatta tiivistettä ja noudata jatkossa kalkinpoisto-ohjeita. Katso kohdan "Puhdistus ja hoito" osaa "Kalkinpoisto".
	Kannen höyryaukko on tukossa.	Irrota venttiili ja puhdista kannen höyryaukko perusteellisesti.
Höyrytysvalo syttyy uudelleen, kun höyrytys on valmis. Jonkin ajan kuluttua laitteesta kuuluu merkkiäni uudelleen.	Olet vahingossa jättänyt kannun alustalle yli 10 minuutiksi katkaisematta virtaa laitteesta.	Katkaise laitteesta virta 10 minuutin kuluessa höyrytyksen valmistumisesta ja soseuta ruoka tai poista se kannusta.
Terä tai moottori juuttuu paikalleen.	Kannussa on liikaa ruokaa.	Sammuta laite ja käsittele pienempi määrä. Älä täytä kannua vihreän teräyksikön yläreunan yli.
Rungosta lähtee epämiellyttävää hajua muutamalla ensimmäisellä käyttökerralla.	Tämä on normaalia.	Jos laitteesta lähtee hajua vielä muutaman käyttökerran jälkeenkin, tarkista, että käsiteltävät ainesmäärät ja käsittelyaika ovat oikein. Katso kohtaa "Ainekset ja höyrytysajat".
Laitteesta lähtee epämiellyttävää hajua vielä muutaman käyttökerran jälkeen.	Olet laittanut liikaa ruokaa kannuun tai antanut laitteen soseuttaa liian kauan.	Käsittele pienempiä määriä äläkä soseuta laitteella yli 30 sekuntia kerrallaan.

Ongelma	Mahdollinen syy	Ratkaisu
Laite pitää kovaa ääntä, siitä lähtee epämiellyttävää hajua tai käryä, se tuntuu käteen kuumalta jne.	Kannussa on liikaa ruokaa.	Katkaise laitteesta virta ja vähennä aineiden määrää.
	Käytät laitetta liian pitkän aikaa kerrallaan.	Älä soseuta laitteella yli 30 sekuntia kerrallaan.
Kannun kansi vuotaa.	Kannun kansi ei ole kunnolla paikallaan.	Laita kannun kansi kunnolla paikalleen. Lisäohjeita on kohdassa "Käyttö".
	Kannussa on liikaa ruokaa.	Katkaise laitteesta virta ja vähennä aineiden määrää.
Täyttöaukossa ja/tai kannussa, siivilässä ja kannessa on valkoisia pilkkuja.	Näihin kohtiin on kerääntynyt kalkkia.	Se on normaalia. Poista kalkki säännöllisesti. Lisätietoja on kohdassa "Puhdistus ja hoito".
Laitteesta lähtee kova ääni soseutuksen aikana.	Siivilä ei ole kiinni kannun kannessa.	Varmista, että siivilä on kiinni kannun kannessa.
Vesisäiliön vesi on epätavallisen väristä kaataessasi sitä pois vesisäiliöstä tai sen siirtyessä kannuun höyrytyksen aikana, tai vesisäiliön vesi on epämiellyttävän hajuista.	Ruoan palasia on päässyt vesisäiliöön käytön aikana.	Puhdista vesisäiliö kohdan "Puhdistus ja hoito" osan "Vesisäiliön puhdistus" ohjeiden mukaisesti. Käytä laitetta ainoastaan ohjeiden mukaan. Varmista, ettet täytä vesisäiliötä liian täyteen (enintään 2 dl), etkä täytä kannua liian täyteen ruokaa (älä täytä kannua vihreän teräyksikön yläreunan yli). Älä höyrytä samoja aineksia yli 20 minuuttia äläkä pane höyrytettävää vettä suoraan kannuun. Varmista myös, että venttiili on kiinnitetty kanteen.
Vesisäiliöstä tulee grillatun tai palaneen ruoan hajua	Ruoan palasia on päässyt vesisäiliöön käytön aikana ja ne ovat takertuneet kuumennusvastukseen.	Puhdista vesisäiliö kohdan "Puhdistus ja hoito" osan "Vesisäiliön puhdistus" ohjeiden mukaisesti. Käytä laitetta ainoastaan ohjeiden mukaan. Varmista, ettet täytä vesisäiliötä liian täyteen (enintään 2 dl), etkä täytä kannua liian täyteen ruokaa (älä täytä kannua vihreän teräyksikön yläreunan yli). Älä höyrytä samoja aineksia yli 20 minuuttia äläkä pane höyrytettävää vettä suoraan kannuun. Varmista myös, että venttiili on kiinnitetty kanteen.
Vauvanruoassa on tummia täpliä tai vesisäiliön vesi on epätavallisen väristä.	Ruoan palasia on päässyt vesisäiliöön käytön aikana ja ne ovat takertuneet kuumennusvastukseen. Tämän vuoksi ruokahiukkasten jäännöksiä päätyy kannuun höyrytyksen aikana.	Puhdista vesisäiliö kohdan "Puhdistus ja hoito" osan "Vesisäiliön puhdistus" ohjeiden mukaisesti. Käytä laitetta ainoastaan ohjeiden mukaan. Varmista, ettet täytä vesisäiliötä liian täyteen (enintään 2 dl), etkä täytä kannua liian täyteen ruokaa (älä täytä kannua vihreän teräyksikön yläreunan yli). Älä höyrytä samoja aineksia yli 20 minuuttia äläkä pane höyrytettävää vettä suoraan kannuun. Varmista myös, että venttiili on kiinnitetty kanteen.

Introduzione

Congratulazioni per l'acquisto e benvenuti in Philips Avent! Per trarre il massimo vantaggio dall'assistenza Philips Avent, registrate il vostro prodotto su www.philips.com/welcome. Questo sistema combinato di cottura a vapore e frullatore è particolarmente indicato per la preparazione di piccole quantità di pappe. L'apparecchio consente a mamme e papà di preparare pappe fresche per i loro bimbi grazie a due semplici funzioni, cottura a vapore e frullatore, combinate in un unico prodotto.

Descrizione generale (fig. 1)

- 1 Coperchio con foro vapore
- 2 Setaccio
- 3 Gruppo lame
- 4 Recipiente con fermo per gruppo lame
- 5 Foro di riempimento del serbatoio dell'acqua
- 6 Uscita vapore sul gruppo motore
- 7 Area di blocco dell'impugnatura
- 8 Gruppo motore
- 9 Spia cottura a vapore
- 10 Manopola di controllo
- 11 Valvola
- 12 Spatola
- 13 Dosatore
- 14 Base dell'apparecchio con cavo di alimentazione

Importante

Prima di utilizzare l'apparecchio, leggete attentamente il presente manuale e conservatelo per eventuali riferimenti futuri.

Pericolo

- Non immergete mai il gruppo motore nell'acqua o in altri liquidi e non sciacquatelo sotto l'acqua corrente.

Avviso

- Prima di collegare l'apparecchio, verificate che la tensione riportata sulla spina corrisponda alla tensione disponibile.
- Non utilizzate l'apparecchio se la spina, il cavo di alimentazione o l'apparecchio stesso sono danneggiati.
- Nel caso in cui il cavo di alimentazione fosse danneggiato, dovrà essere sostituito presso i centri autorizzati Philips, i rivenditori specializzati oppure da personale debitamente qualificato, per evitare situazioni pericolose.
- Questo apparecchio può essere usato da persone con capacità mentali, fisiche o sensoriali ridotte, prive di esperienza o conoscenze adatte a condizione che tali persone abbiano ricevuto assistenza o formazione per utilizzare l'apparecchio in maniera sicura e capiscano i potenziali pericoli associati a tale uso.
- L'apparecchio non deve essere usato dai bambini. Tenete l'apparecchio e il suo cavo di alimentazione fuori dalla portata dei bambini.

- Evitate che i bambini giochino con l'apparecchio.
- Non toccate i bordi delle lame quando l'apparecchio è collegato alla presa di corrente e durante la pulizia. Le lame sono estremamente taglienti.
- Nel caso in cui il gruppo lame rimanga incastrato, scollegate l'apparecchio, quindi togliete gli ingredienti che bloccano le lame.
- L'apparecchio si surriscalda durante la cottura a vapore e può causare scottature se a contatto con la pelle. Alzate sempre il recipiente dall'impugnatura.
- Fate attenzione al vapore caldo che esce dal recipiente durante la cottura e quando rimuovete il coperchio.
- Fate attenzione al vapore caldo che esce dal foro di riempimento del serbatoio dell'acqua quando aprite il coperchio.
- Quando il processo di cottura a vapore è terminato, il vapore caldo continua a uscire per un breve periodo di tempo dalla presa di sfogo del vapore sul gruppo motore e dal foro del vapore sul coperchio del recipiente. Fate attenzione quando estraete il recipiente dal gruppo motore.
- Se l'apparecchio non viene utilizzato correttamente, dal foro di riempimento potrebbe fuoriuscire del vapore caldo. Consultate il capitolo "Risoluzione dei guasti" per risolvere o evitare questo problema.
- Non lasciate mai in funzione l'apparecchio senza sorveglianza.
- Non smontate il gruppo motore per interventi di manutenzione o pulizia. Consegnatelo a un centro di assistenza Philips autorizzato per la riparazione.

Attenzione

- Non usate mai accessori o parti di altri produttori o non specificatamente consigliati da Philips. Nel caso in cui utilizzate detti accessori o parti, la garanzia decade.
- Non posizionate mai l'apparecchio sopra o in prossimità di superfici calde come fornelli o piani cottura.
- Prima di procedere alla pulizia, scollegate sempre la spina dalla presa di corrente e lasciate raffreddare l'apparecchio.
- Non usate mai il recipiente o alcuna altra parte dell'apparecchio all'interno di un microonde, poiché le parti metalliche dell'impugnatura del recipiente e il gruppo lame non sono adatti a questo tipo di utilizzo.
- Non sterilizzate mai il recipiente o alcuna altra parte dell'apparecchio all'interno di uno sterilizzatore o di un microonde, poiché le parti metalliche dell'impugnatura del recipiente e il gruppo lame non sono adatti a questo tipo di utilizzo.
- L'apparecchio è destinato a uso domestico. Se viene utilizzato impropriamente, per scopi professionali o semiprofessionali o in maniera

non conforme alle istruzioni per l'uso, la garanzia viene annullata e Philips declina qualsiasi responsabilità per qualsivoglia danni causati.

- Prestate attenzione quando versate liquidi caldi nel bicchiere, poiché i liquidi caldi o il vapore potrebbero essere espulsi e causare ustioni.
- Lasciate raffreddare l'apparecchio per 10 minuti prima di cuocere a vapore altri ingredienti.
- L'apparecchio non può essere utilizzato per tritare ingredienti duri, ad esempio cubetti di ghiaccio o zollette di zucchero.
- Non frullate per più di 30 secondi alla volta. Se 30 secondi non sono sufficienti a ottenere la consistenza desiderata, spegnete l'apparecchio e attendete alcuni secondi prima di riprendere. Se l'apparecchio si surriscalda, lasciatelo raffreddare per alcuni minuti prima di continuare.
- Posizionate l'apparecchio su una superficie piana e stabile. Assicuratevi che vi sia abbastanza spazio libero attorno ad esso per evitare danni a mobiletti o altri oggetti poiché l'apparecchio emette vapore caldo durante l'uso.
- In caso di danneggiamenti o guasto, non utilizzate in nessun caso l'apparecchio. Consegnatelo a un centro di assistenza Philips autorizzato per la riparazione.
- Non mettere mai acqua, altri liquidi o alimenti frullati nel contenitore per la cottura a vapore, per evitare di danneggiare l'apparecchio.
- Non utilizzate mai la funzione di cottura a vapore senza acqua.
- Fate attenzione a non versare una quantità eccessiva di acqua (max. 200 ml) nel serbatoio. Non superate il livello massimo indicato sul dosatore.
- Quando cuocete a vapore degli ingredienti, assicuratevi di non riempire troppo il recipiente. Il margine superiore del gruppo lame verde non deve essere coperto da cibo (fig. 2).
- Quando mescolate dei liquidi, non superate il livello massimo indicato sul recipiente (450 ml).
- Non inserite alcun oggetto nel foro di riempimento o nella presa di sfogo del vapore.
- Non riempite mai il serbatoio dell'acqua durante la cottura a vapore. L'acqua calda e il vapore potrebbero fuoriuscire dall'apparecchio.
- Al termine della cottura a vapore, assicuratevi sempre che il coperchio si sia raffreddato prima di aprirlo per aggiungere eventuali altri ingredienti nel frullatore.
- Questo apparecchio non deve essere alimentato attraverso un dispositivo di commutazione esterno, come ad esempio un timer, oppure collegato a un circuito che viene aperto e chiuso a intervalli regolari dall'apparecchio stesso. In questo modo si possono evitare

pericoli causati da una reimpostazione involontaria del dispositivo di sicurezza della temperatura.

- Controllate sempre la temperatura della pappa versandone una piccola quantità sul dorso della mano prima di darla al vostro bambino.
- Controllate sempre la consistenza della pappa, assicurandovi che non vi siano grumi.
- Quando il processo di cottura a vapore (max. 20 minuti) è concluso, non cuocere o riscaldare nuovamente a vapore la pappa.
- Per rimuovere il cibo dal recipiente, utilizzate esclusivamente la spatola fornita in dotazione.
- Per evitare danni all'apparecchio, rimuovete regolarmente il calcare.
- Spegnerne l'apparecchio e disconnetterlo dall'alimentazione prima di sostituire gli accessori o di toccare le parti che si muovono durante l'uso.
- Prestare particolare attenzione alle lame quando si svuota il recipiente e si eseguono le operazioni di pulizia.
- Scollegare il dispositivo dall'alimentazione quando viene lasciato incustodito.
- Le operazioni di pulizia e manutenzione non devono essere eseguite da bambini.

Sistema di sicurezza

L'apparecchio è dotato di uno speciale blocco di sicurezza e funziona solo se tutti i componenti sono stati montati correttamente sul gruppo motore. In questo caso, il blocco di sicurezza integrato viene automaticamente sbloccato.

L'apparecchio è anche dotato di protezione contro il surriscaldamento. Il surriscaldamento potrebbe verificarsi se il tempo che intercorre tra due utilizzi è troppo breve, se il frullatore viene usato troppo a lungo o se ci sono troppi ingredienti nel recipiente. Se la protezione contro il surriscaldamento spegne l'apparecchio durante l'uso, impostare la manopola di controllo su 0 e lasciare che l'apparecchio si raffreddi per alcuni minuti. Una volta fatto questo, l'apparecchio può essere utilizzato di nuovo.

Campi elettromagnetici (EMF)

Questo apparecchio Philips è conforme a tutti gli standard e alle norme relativi all'esposizione ai campi elettromagnetici.

Primo utilizzo

- 1** Rimuovere tutto il materiale da imballaggio dall'apparecchio.
- 2** Pulite tutti i componenti tranne il gruppo motore (vedere il capitolo "Pulizia e manutenzione").

Modalità d'uso dell'apparecchio

Controllate sempre la temperatura della pappa versandone una piccola quantità sul dorso della mano prima di darla al vostro bambino.

Prima di rimuovere il coperchio per aggiungere eventuali altri ingredienti da frullare, verificate sempre che si sia raffreddato dopo la cottura a vapore. Non superate il livello massimo indicato sul recipiente.

Svuotate il serbatoio dell'acqua prima di ricaricarlo per iniziare un nuovo processo di cottura a vapore.

Verificate sempre che il margine superiore del gruppo lame verde non sia ricoperto di cibo quando avviate il processo di cottura a vapore.

Non superate il livello massimo indicato sul recipiente (450 ml) quando mescolate dei liquidi.

Questo apparecchio è stato progettato per la cottura a vapore di ingredienti solidi freschi, che andranno poi frullati al fine di ottenere pappe per bambini. Per alcuni esempi consultate il ricettario. Di solito per prima cosa si cuociono al vapore gli ingredienti e poi si frullano. Potete comunque utilizzare l'apparecchio solo per la cottura a vapore o per frullare gli alimenti.

Se utilizzate l'apparecchio solo per frullare, saltate le sezioni "Riempimento del serbatoio dell'acqua" e "Cottura a vapore" e seguite solo le istruzioni della sezione "Frullatura". Dopo aver frullato gli ingredienti, non cuoceteli mai a vapore. Non cuocete mai a vapore gli stessi ingredienti per più di 20 minuti o più di una volta.

Questo apparecchio NON è adatto per:

- Scongellare alimenti
- Cuocere a vapore alimenti surgelati
- Cuocere a vapore alimenti già frullati
- Cuocere a vapore gli stessi ingredienti per più di 20 minuti
- Cuocere riso e pasta
- Frullare ingredienti per poi cuocerli a vapore
- Riscaldare liquidi come zuppe o acqua
- Mantenere caldi gli alimenti per molte ore
- Riscaldare nuovamente gli alimenti

Riempimento del serbatoio dell'acqua

1 Riempite il dosatore con acqua fino al livello richiesto (fig. 3).

Il dosatore mostra i livelli in millilitri e i corrispondenti tempi di cottura a vapore in minuti. Consultate il ricettario separato per conoscere le quantità consigliate per le varie ricette.

Nota: Non superate il livello massimo indicato sul dosatore (200 ml) al fine di evitare fuoriuscite dal serbatoio dell'acqua.

Nota: Si consiglia di non usare acqua minerale, poiché i minerali in essa contenuti provocano l'accumulo di residui nel serbatoio dell'acqua.

2 Versate l'acqua attraverso il foro di riempimento e chiudete il coperchio (fig. 4).

Nota: All'interno del serbatoio deve essere versata esclusivamente acqua.

Cottura a vapore

Le verdure e la frutta cotte a vapore sono ideali per i bambini che hanno appena iniziato a mangiare cibi solidi. La cottura a vapore è il modo più sano per la preparazione di pappe, dal momento che gli alimenti preservano gran parte delle vitamine e altre sostanze nutritive importanti per la salute.

Nota: Potete trovare le ricette e i relativi tempi di cottura nel ricettario separato. Si noti che le ricette sono associate alle diverse fasi di crescita del bambino.

Nota: Non cuocete a vapore ingredienti surgelati poiché l'apparecchio è in grado di riscaldare gli alimenti surgelati alla temperatura richiesta per questo tipo di cottura. Scongelate sempre gli ingredienti solidi surgelati prima di cuocerli a vapore con questo apparecchio. Rimuovete l'acqua in eccesso dagli ingredienti scongelati prima di inserirli all'interno del recipiente.

1 Inserite il gruppo lame sul supporto relativo all'interno del recipiente (fig. 5).

2 Tagliate gli ingredienti solidi in piccoli pezzi (cubetti di massimo 2-3 cm) prima di inserirli nel recipiente.

Nota: Non frullate contemporaneamente grandi quantità di ingredienti solidi. Procedete in modo graduale, aggiungendo pochi pezzi alla volta.

3 Mettete gli ingredienti nel recipiente (fig. 6).

Nota: Non superate mai il margine superiore del gruppo lame verde.

Nota: Non mettete mai acqua o altri liquidi nel recipiente per la cottura a vapore per evitare di danneggiare l'apparecchio.

4 Inserite la valvola nel coperchio (fig. 7).

Nota: Assicuratevi che la valvola sia inserita correttamente.

5 Inserite il setaccio nel coperchio del recipiente ("clic") (fig. 8).

6 Posizionate il coperchio sul recipiente e ruotatelo in senso orario per bloccarlo in posizione. Le piccole parti sporgenti sul coperchio devono scorrere all'interno delle scanalature del recipiente. Assicuratevi che la sporgenza grande del coperchio sia posizionato esattamente sopra l'impugnatura del recipiente (fig. 9).

7 Capovolgete il recipiente e posizionate il gruppo motore con il coperchio rivolto verso il basso. Assicuratevi che l'impugnatura si trovi sulla destra e che sia inserita correttamente (fig. 10).

Nota: L'apparecchio non inizia la cottura a vapore se il recipiente e l'impugnatura non sono nella posizione corretta.

8 Girate la manopola di controllo sulla posizione per la cottura a vapore.

- La spia della cottura a vapore diventa arancione a indicare che l'apparecchio ha avviato la cottura a vapore (fig. 11).

Il vapore o l'acqua calda possono ustionare le dita. Non toccate e non lasciate che i bambini entrino a contatto con parti calde e vapore per evitare scottature (fig. 12).

- Il tempo di cottura a vapore dipende dalla quantità di acqua che avete messo nel serbatoio dell'acqua. Consultate la tabella del capitolo "Ingredienti e tempi di cottura a vapore" e il ricettario.
- Al termine della cottura a vapore, l'apparecchio produce un segnale acustico e la spia della cottura a vapore si spegne.

9 Impostate la manopola di controllo su off. Attendete 2 minuti finché dalla presa di sfogo del vapore non fuoriesce più vapore al fine di evitare scottature dovute alle alte temperature. (fig. 13)

Nota: Se volete cuocere a vapore altri ingredienti, fate raffreddare l'apparecchio per 10 minuti prima di avviare nuovamente la cottura a vapore.

10 Se volete frullare gli ingredienti cotti a vapore, seguite le istruzioni della sezione "Frullatura dopo la cottura a vapore" riportata sotto.

11 In condizioni normali, dopo la cottura a vapore non rimane traccia di acqua. In alcune situazioni (ad esempio in caso di accumulo di calcare nel serbatoio dell'acqua, interruzione del processo di cottura a vapore o di un utilizzo non intenzionale), tuttavia, è possibile che rimanga dell'acqua all'interno del serbatoio. In questo caso, svuotate il serbatoio dell'acqua completamente dopo l'uso al fine di evitare la formazione di batteri. Per effettuare la pulizia anticalcare del serbatoio dell'acqua, consultate il capitolo "Pulizia e manutenzione".

Frullatura dopo la cottura a vapore

- 1** Afferrate l'impugnatura del recipiente e rimuovetelo dal gruppo motore. Ruotate e scuotete il recipiente in modo da far scendere il cibo nel gruppo lame (fig. 14).

Toccate soltanto l'impugnatura del recipiente. Il coperchio, la base e la superficie esterna del recipiente sono caldi (fig. 15).

- 2** Se necessario, rimuovete il coperchio e aggiungete altri ingredienti per frullare la pappa (ad esempio, acqua od olio).

Prima di aprire il coperchio del recipiente per aggiungere altri ingredienti o prima di aprire il coperchio del serbatoio per rimuovere l'acqua rimanente all'interno, verificate sempre che questi componenti si siano raffreddati.

Dopo aver introdotto dei liquidi nel recipiente, non mettete mai quest'ultimo nella posizione della cottura a vapore.

- 3** Posizionate il recipiente sul gruppo motore con il coperchio rivolto verso l'alto. Assicuratevi che l'impugnatura si trovi alla vostra destra e tra le due sporgenze dell'area di blocco (fig. 16).

- 4** Ruotate la manopola di controllo nella posizione di frullatura. Tenete la manopola in questa posizione finché il cibo non è stato frullato correttamente (fig. 17).

Non frullate per più di 30 secondi alla volta. Se 30 secondi non sono sufficienti a ottenere la consistenza desiderata, spegnete l'apparecchio e attendete alcuni secondi prima di riprendere. Se l'apparecchio si surriscalda, lasciatelo raffreddare per alcuni minuti prima di continuare.

Nota: Se gli ingredienti si attaccano alle pareti del recipiente, spegnete l'apparecchio e staccateli utilizzando la spatola o aggiungete dei liquidi.

Nota: Assicuratevi che la pappa frullata abbia la consistenza desiderata (ad esempio, senza grumi) prima di darla al bambino.

Nota: Se la pappa per il bambino è ancora troppo solida, aggiungete del liquido (ad es. acqua) fino a ottenere una consistenza morbida e cremosa.

- 5** Al termine della miscela, è sufficiente rilasciare la manopola di controllo (fig. 18).

- La manopola torna automaticamente in posizione OFF.

- 6** Staccate la spina dalla presa di corrente.

- 7** Rimuovere il gruppo lame. Fare attenzione quando si rimuove il gruppo lame poiché potrebbe essere caldo. Rimuovi gli alimenti frullati dal contenitore. Se necessario, utilizza la spatola fornita con l'apparecchio.

Assicuratevi che la pappa non sia troppo calda per il vostro bambino.

- 8** In condizioni normali, dopo la cottura a vapore non rimane traccia di acqua. In alcune situazioni (ad esempio in caso di accumulo di calcare nel serbatoio dell'acqua, interruzione del processo di cottura a vapore o di un utilizzo non intenzionale), tuttavia, è possibile che rimanga dell'acqua all'interno del serbatoio. In questo caso, svuotate il serbatoio dell'acqua completamente dopo l'uso al fine di evitare la formazione di batteri. Per effettuare la pulizia anticalcare del serbatoio dell'acqua, consultare il capitolo "Pulizia e manutenzione".

Frullatura senza cottura a vapore

L'apparecchio deve essere utilizzato per:

- ridurre in purea ingredienti cotti a vapore o normalmente per ottenere pappe per bambini
- frullare liquidi e frutta per ottenere bevande per bambini

L'apparecchio non può essere utilizzato per tritare ingredienti duri, ad esempio cubetti di ghiaccio o zollette di zucchero.

Dopo aver introdotto dei liquidi nel recipiente, non mettete mai quest'ultimo nella posizione della cottura a vapore.

Nota: Quando si frullano sostanze liquide, assicuratevi di non riempire il recipiente oltre il limite massimo indicato sul recipiente.

Nota: Non cuocete mai la pappa dopo averla frullata.

- 1** Inserite il gruppo lame sul supporto relativo all'interno del recipiente (fig. 5).
- 2** Tagliate gli ingredienti solidi in piccoli pezzi (cubetti di massimo 2-3 cm) prima di inserirli nel recipiente.

Consiglio: Non frullate contemporaneamente grandi quantità di ingredienti solidi. Procedete in modo graduale, aggiungendo pochi pezzi alla volta.

- 3** Mettete gli ingredienti nel recipiente. (fig. 6)

Nota: Non superate mai il margine superiore del gruppo lame verde.

- 4** Inserite la valvola nel coperchio (fig. 7).

Nota: Assicuratevi che la valvola sia inserita correttamente.

- 5** Inserite il setaccio nel coperchio del recipiente ("clic") (fig. 8).

- 6** Posizionate il coperchio sul recipiente e ruotatelo in senso orario per bloccarlo in posizione. Le piccole parti sporgenti sul coperchio devono scorrere all'interno delle scanalature del recipiente. Assicuratevi che la sporgenza grande del coperchio sia posizionato esattamente sopra l'impugnatura del recipiente. (fig. 9)

- 7** Posizionate il recipiente sul gruppo motore con il coperchio rivolto verso l'alto. Assicuratevi che l'impugnatura si trovi alla vostra destra e tra le due sporgenze dell'area di blocco (fig. 16).

- 8** Ruotate la manopola di controllo portandola nella posizione frullatore. Tenete la manopola in questa posizione fino a quando sarà necessario, ma per non più di 30 secondi (fig. 17).

Nota: Se gli ingredienti rimangono attaccati alle pareti del recipiente, spegnete l'apparecchio e fateli scendere con la spatola o aggiungete del liquido. Non superate l'indicazione del livello massimo sul recipiente.

Nota: Assicuratevi che la pappa frullata abbia la consistenza desiderata (ad esempio, senza grumi) prima di darla al bambino.

Nota: Se la pappa risulta ancora troppo solida aggiungete del liquido (ad es. acqua) fino a ottenere una consistenza morbida e cremosa. Non superate l'indicazione del livello massimo sul recipiente.

Nota: Non cuocete mai la pappa dopo averla frullata.

Non frullate per più di 30 secondi alla volta. Se 30 secondi non sono sufficienti a ottenere la consistenza desiderata, spegnete l'apparecchio e attendete alcuni secondi prima di riprendere. Se il gruppo motore si surriscalda, lasciatelo raffreddare per alcuni minuti prima di continuare.

- 9** Al termine della miscela, è sufficiente rilasciare la manopola di controllo. (fig. 18)

- La manopola torna automaticamente in posizione OFF.

- 10** Staccate la spina dalla presa di corrente.

- 11** Rimuovere il gruppo lame. Fare attenzione quando si rimuove il gruppo lame poiché potrebbe essere caldo. Rimuovi gli alimenti frullati dal contenitore. Se necessario, utilizza la spatola fornita con l'apparecchio.

Assicuratevi che la pappa non sia troppo calda per il vostro bambino.

Ingredienti e tempi di cottura a vapore		
Tipo di cibo	Ingredienti	Tempo di cottura a vapore approssimativo*
Frutta	Mele	5 min
	Arance	10 min
	Pesche	10 min
	Pere	5 min
	Ananas	15 min
	Susine	10 min
Verdure	Asparagi	10 min
	Broccoli	20 min
	Carote	15 min
	Cavolfiore	15 min
	Sedano	15 min
	Zucchina	15 min
	Finocchi	15 min
	Fagiolini	20 min
	Porri	15 min
	Cipolle	15 min
	Piselli	20 min
	Peperoni	15 min
	Patate	20 min
	Zucca	15 min
	Spinaci	15 min
	Rape	15 min
Patate dolci	15 min	
Pomodori	15 min	
Carne	Pollo, manzo, agnello, maiale, ecc...	20 min
Pesce	Salmone, sogliola, merluzzo, trota, ecc...	15 min

* Tutti gli alimenti devono essere tagliati a cubetti piccoli non più grandi di 2-3 cm.

Nota: Il dosatore mostra i livelli in millilitri e i corrispondenti tempi di cottura a vapore in minuti (50 ml = 5 min, 100 ml = 10 min, 150 ml = 15 min, 200 ml = 20 min).

Pulizia e manutenzione

Pulite l'apparecchio ogni volta che lo usate.

Non immergete mai il gruppo motore nell'acqua.

Non utilizzate mai soluzioni/pastiglie sterilizzanti o altre sostanze chimiche all'interno dell'apparecchio.

Non usate prodotti o sostanze abrasive o detergenti aggressivi, come benzina, acetone o alcool per pulire l'apparecchio.

- 1** Scollegate l'apparecchio e rimuovete il recipiente dal gruppo motore (fig. 19).
- 2** Rimuovete il coperchio dal recipiente e capovolgetelo (fig. 20).
- 3** Rimuovete il setaccio e la valvola dal coperchio. (fig. 21)
- 4** Pulite la valvola in acqua calda con del liquido per piatti e risciacquatela con acqua corrente.
- 5** Rimuovete il gruppo lame dal recipiente (fig. 22).
- 6** Lavate il gruppo lame sotto l'acqua corrente subito dopo l'uso, assicurandovi di lavare anche l'interno del gruppo lame (fig. 23).

Prestate la massima attenzione quando maneggiate il gruppo lame. Le lame sono estremamente taglienti.

Nota: Se desiderate pulire il gruppo lame più a fondo, è possibile lavarlo in lavastoviglie dopo averlo sciacquato.

- 7** Subito dopo l'uso lavate sempre gli altri componenti che sono venuti a contatto con il cibo in acqua calda aggiungendo un po' detersivo liquido.

Nota: Tutti i componenti, eccetto il gruppo motore, possono essere lavati in lavastoviglie.

- 8** Se necessario, pulite il gruppo motore con un panno umido.
- 9** Verificate se all'interno del serbatoio dell'acqua sono entrate particelle di cibo. Potete fare questo esaminando il foro di riempimento per vedere se ci sono delle particelle di cibo, controllando se l'acqua ha un colore insolito oppure verificando se il serbatoio dell'acqua produce un odore sgradevole o di bruciato. In questo caso, pulite il serbatoio dell'acqua (vedere la sezione "Pulizia del serbatoio dell'acqua" in questo capitolo).
- 10** Togliete il coperchio del foro di riempimento per evitare la formazione di batteri.

Decalcificazione del serbatoio dell'acqua

Se all'interno del serbatoio dell'acqua sono entrate particelle di cibo, queste potrebbero rimanere incastrate sulla resistenza al successivo utilizzo. Tali particelle non possono essere rimosse risciacquando semplicemente il serbatoio dell'acqua.

Rimuovete inoltre il calcare dall'apparecchio ogni quattro settimane per assicurare il funzionamento ottimale dell'apparecchio. Per ridurre la formazione di calcare, si consiglia di utilizzare acqua filtrata o portata a ebollizione.

Per rimuovere i residui di cibo dal serbatoio dell'acqua ed eseguire la pulizia anticalore dell'apparecchio, seguite le istruzioni relative riportate sotto.

- 1** Controllate che l'apparecchio sia spento.
- 2** Aggiungete 50 ml di aceto di vino bianco (8% di acido acetico) a 150 ml di acqua.

Nota: potete anche utilizzare degli agenti decalcificanti a base di acido citrico. Non utilizzate altri tipi di agenti decalcificanti.

- 3** Riempite il serbatoio dell'acqua con la soluzione di aceto (o acido citrico) e acqua.
- 4** Chiudete il coperchio del foro di riempimento.

- 5 Posizionate il recipiente vuoto (senza alimenti) con all'interno il gruppo lame e il coperchio sul gruppo motore nella posizione di cottura a vapore (cioè con il coperchio rivolto verso il basso).
- 6 Girate la manopola di controllo sulla posizione per la cottura a vapore.
 - La spia della cottura a vapore diventa arancione a indicare che l'apparecchio ha avviato la cottura a vapore.
- 7 Spegnete l'apparecchio dopo 5-6 minuti di cottura a vapore e scollegatelo dall'alimentazione.
- 8 Fate uscire la soluzione di aceto di vino bianco (8% di acido acetico) e acqua dal serbatoio dell'acqua (fig. 24).
- 9 Risciacquate più volte e a fondo il serbatoio dell'acqua e il recipiente con acqua pulita.
- 10 Riempite il serbatoio con 200 ml di acqua e avviate un processo completo di cottura a vapore di 20 minuti con il recipiente vuoto, prima di utilizzarlo nuovamente.
- 11 Togliete il coperchio del foro di riempimento per evitare la formazione di batteri.

Reciclaggio

- Questo simbolo indica che il prodotto non può essere smaltito con i normali rifiuti domestici (2012/19/UE) (fig. 25).
- Ci sono due situazioni in cui potete restituire gratuitamente il prodotto vecchio a un rivenditore:
 1. Quando acquistate un prodotto nuovo, potete restituire un prodotto simile al rivenditore.
 2. Se non acquistate un prodotto nuovo, potete restituire prodotti con dimensioni inferiori a 25 cm (lunghezza, altezza e larghezza) ai rivenditori con superficie dedicata alla vendita di prodotti elettrici ed elettronici superiore ai 400 m².
- In tutti gli altri casi, attenetevi alle normative di raccolta differenziata dei prodotti elettrici ed elettronici in vigore nel vostro paese: un corretto smaltimento consente di evitare conseguenze negative per l'ambiente e per la salute.

Conservazione

- 1 Svotate il serbatoio dell'acqua prima di riporre l'apparecchio (fig. 24).
- 2 Assicuratevi che tutte le parti siano pulite e asciutte prima di riporre l'apparecchio (vedere il capitolo "Pulizia e manutenzione").
- 3 Riponete l'apparecchio con il gruppo lame all'interno del recipiente per evitare di danneggiarlo.
- 4 Non posizionate il coperchio sul recipiente e lasciate aperto il foro di riempimento per evitare la formazione di batteri.

Garanzia e assistenza

Per assistenza o informazioni, visitate il sito Web all'indirizzo **www.philips.com/support** oppure leggete l'opuscolo della garanzia internazionale.

Specifiche tecniche

- Voltaggio/potenza in watt: vedere la targhetta nella parte inferiore dell'apparecchio.
- Capacità massima del serbatoio dell'acqua: 200 ml.
- Capacità massima del recipiente (ingredienti liquidi): 450 ml.
- Protezione: sistema di riscaldamento a temperatura controllata e blocco di sicurezza.

Risoluzione dei problemi

Questo capitolo riassume i problemi più comuni che potreste riscontrare con l'apparecchio. Se non riuscite a risolvere il problema con le informazioni riportate sotto, visitate il sito www.philips.com/support per un elenco di domande frequenti o contattate il centro assistenza clienti del vostro paese.

Problema	Possibile causa	Soluzione
L'apparecchio non funziona.	L'apparecchio è dotato di un blocco di sicurezza. Se i componenti non sono stati montati correttamente sul gruppo motore, l'apparecchio non funziona.	Montate i componenti correttamente. Vedere il capitolo "Modalità d'uso dell'apparecchio".
La spia della cottura a vapore non si accende.	L'apparecchio non è collegato alla presa di corrente.	Inserite la spina nella presa di corrente a muro.
	Il recipiente non è stato posizionato correttamente sul gruppo motore.	Posizionate il recipiente correttamente sul gruppo motore.
	Desiderate avviare un secondo processo di cottura a vapore subito dopo un altro.	Scollegate l'apparecchio e lasciatelo raffreddare per alcuni minuti prima di avviare un secondo processo di cottura a vapore.
Gli ingredienti non sono riscaldati completamente.	I pezzi inseriti nel recipiente sono troppo grandi, c'è troppo cibo all'interno del recipiente oppure gli alimenti non sono stati cotti sufficientemente a lungo.	Tagliate gli alimenti in pezzetti più piccoli (2-3 cm), diminuite la quantità di ingredienti nel recipiente o selezionate un tempo di cottura a vapore più lungo (max. 20 minuti). Controllate il ricettario e/o la tabella del capitolo "Ingredienti e tempi di cottura a vapore" al fine di selezionare il tempo di cottura a vapore corretto per gli ingredienti da cuocere o per la ricetta che desiderate preparare.
L'apparecchio non cuoce.	Non avete inserito l'acqua nell'apparecchio.	Spegnete l'apparecchio e versate la quantità corretta di acqua nell'apparecchio.
	Il recipiente non è stato posizionato sul gruppo motore nella posizione corretta.	Posizionate il recipiente sull'apparecchio in posizione corretta (vedere la sezione "Cottura a vapore" nel capitolo "Modalità d'uso dell'apparecchio").
La cottura a vapore impiega troppo tempo o non funziona affatto.	Nel serbatoio dell'acqua si è accumulata una quantità eccessiva di calcare.	Eseguite la pulizia anticalcare del serbatoio dell'acqua. Vedere il capitolo "Pulizia e manutenzione", sezione "Decalcificazione".
Il vapore fuoriesce dal foro di riempimento.	Il coperchio del foro di riempimento non è chiuso correttamente.	Chiudete il coperchio del foro di riempimento fino a che non scatta in posizione.

Problema	Possibile causa	Soluzione
	La presa di sfogo del vapore sul gruppo motore è bloccata da cibo o dal calcare.	Pulite l'apertura con un oggetto appuntito senza danneggiare il sigillo e, in futuro, seguite attentamente le istruzioni per la rimozione del calcare. Vedere il capitolo "Pulizia e manutenzione" sezione "Decalcificazione".
	L'apertura per la fuoriuscita del vapore posta sul coperchio è bloccata.	Rimuovete la valvola e pulite il foro del vapore nel coperchio in maniera corretta.
La spia del vapore si riaccende a conclusione del processo di cottura e dopo un po' l'apparecchio produce nuovamente un segnale acustico.	Il recipiente è stato lasciato accidentalmente sulla base per più di 10 minuti senza spegnere l'apparecchio.	Spegnete l'apparecchio entro 10 minuti dal termine della cottura, quindi frullate gli alimenti o rimuoveteli dal recipiente.
Il blocco lame o il gruppo motore sono bloccati.	Il recipiente contiene una quantità eccessiva di cibo.	Spegnete l'apparecchio e lavorate una quantità più piccola di ingredienti. Non riempite il recipiente oltre il margine superiore del gruppo lame verde.
Il gruppo motore emette un odore sgradevole le prime volte che viene usato.	Si tratta di un fenomeno del tutto normale.	Se l'apparecchio continua a emanare questo odore dopo essere stato utilizzato alcune volte, controllate se le quantità degli ingredienti e i tempi di preparazione sono corretti. Vedere il capitolo "Ingredienti e tempi di cottura a vapore".
L'apparecchio continua a emanare cattivo odore anche dopo essere stato utilizzato più volte.	Avete inserito un quantitativo di cibo eccessivo nel recipiente oppure fate frullare gli alimenti troppo a lungo.	Lavorate quantità di cibo inferiori e non frullate gli alimenti per più di 30 secondi alla volta.
L'apparecchio produce molto rumore, emana un odore sgradevole, è bollente, emette fumo ecc.	Il recipiente contiene una quantità eccessiva di cibo.	Spegnete l'apparecchio e preparate una quantità minore di ingredienti.
	L'apparecchio è stato fatto funzionare troppo a lungo senza interruzioni.	Non utilizzate il frullatore per più di 30 secondi alla volta.
Il coperchio del recipiente frullatore perde.	Il coperchio non è stato posizionato correttamente.	Posizionate correttamente il coperchio sul recipiente. Vedere il capitolo "Modalità d'uso dell'apparecchio".

Problema	Possibile causa	Soluzione
	Il recipiente contiene una quantità eccessiva di cibo.	Spegnete l'apparecchio e preparate una quantità minore di ingredienti.
Sul foro di riempimento e/o sul recipiente, sul setaccio e sul coperchio sono presenti macchie bianche.	Si è formato calcare su questi componenti.	Si tratta di un fenomeno del tutto normale. Rimuovete il calcare periodicamente. Vedere il capitolo "Pulizia e manutenzione", sezione "Decalcificazione".
L'apparecchio produce molto rumore mentre frulla gli alimenti.	Il setaccio non è stato montato sul coperchio del recipiente.	Accertatevi che il setaccio sia montato sul coperchio.
L'acqua ha un colore insolito quando viene versata fuori dal serbatoio o quando entra all'interno del recipiente durante la cottura a vapore, oppure l'acqua stessa all'interno del serbatoio emette un odore sgradevole.	Durante l'utilizzo sono entrare delle particelle di cibo nel serbatoio dell'acqua.	Pulite il serbatoio dell'acqua seguendo le istruzioni nel capitolo "Pulizia e manutenzione", sezione "Pulizia del serbatoio dell'acqua". Usate l'apparecchio seguendo attentamente le istruzioni. Assicuratevi di non riempire troppo il serbatoio dell'acqua (massimo 200 ml di acqua) e di non inserire troppi alimenti all'interno del recipiente (non riempitelo oltre il margine superiore del gruppo lame verde). Non cuocete a vapore gli stessi ingredienti per più di 20 minuti e non mettete acqua direttamente all'interno del recipiente. Assicuratevi inoltre che la valvola sia inserita correttamente nel coperchio.
Dal serbatoio dell'acqua fuoriesce un odore di cibo grigliato/bruciato	Durante l'utilizzo sono entrate delle particelle di cibo nel serbatoio dell'acqua e si sono accumulate sulla resistenza.	Pulite il serbatoio dell'acqua seguendo le istruzioni nel capitolo "Pulizia e manutenzione", sezione "Pulizia del serbatoio dell'acqua". Usate l'apparecchio seguendo attentamente le istruzioni. Assicuratevi di non riempire troppo il serbatoio dell'acqua (massimo 200 ml di acqua) e di non inserire troppi alimenti all'interno del recipiente (non riempitelo oltre il margine superiore del gruppo lame verde). Non cuocete a vapore gli stessi ingredienti per più di 20 minuti e non mettete acqua direttamente all'interno del recipiente. Assicuratevi inoltre che la valvola sia inserita correttamente nel coperchio.

Problema	Possibile causa	Soluzione
Ci sono delle macchie scure sulla pappa o l'acqua nel recipiente ha un colore insolito.	Durante l'utilizzo sono entrate delle particelle di cibo nel serbatoio dell'acqua e si sono accumulate sulla resistenza. In questo modo alcuni residui di cibo possono entrare all'interno del recipiente durante la cottura a vapore.	Pulite il serbatoio dell'acqua seguendo le istruzioni nel capitolo "Pulizia e manutenzione", sezione "Pulizia del serbatoio dell'acqua". Usate l'apparecchio seguendo attentamente le istruzioni. Assicuratevi di non riempire troppo il serbatoio dell'acqua (massimo 200 ml di acqua) e di non inserire troppi alimenti all'interno del recipiente (non riempitelo oltre il margine superiore del gruppo lame verde). Non cuocete a vapore gli stessi ingredienti per più di 20 minuti e non mettete acqua direttamente all'interno del recipiente. Assicuratevi inoltre che la valvola sia inserita correttamente nel coperchio.

Pendahuluan

Selamat atas pembelian Anda dan selamat datang di Philips Avent! Untuk memanfaatkan sepenuhnya dukungan yang ditawarkan Philips Avent, daftarkan produk Anda di www.philips.com/welcome. Gabungan pengukus dan blender ini sangat cocok untuk menyiapkan makanan bayi dalam jumlah kecil. Gabungan pengukus dan blender ini membantu orang tua menyiapkan makanan segar untuk bayi mereka dengan fungsi pengukus dan blender sederhana yang digabungkan dalam satu alat.

Keterangan umum (Gbr. 1)

- 1 Tutup dengan lubang uap
- 2 Saringan
- 3 Unit pisau
- 4 Tabung dengan penahan unit pisau
- 5 Lubang pengisian tangki air
- 6 Lubang keluaran uap pada unit motor
- 7 Area pengunci untuk pegangan
- 8 Unit motor
- 9 Lampu pengukusan
- 10 Kenop kontrol
- 11 Katup
- 12 Spatula
- 13 Gelas ukur
- 14 Bagian bawah alat dengan kabel listrik

Penting

Bacalah petunjuk pengguna ini secara saksama sebelum Anda menggunakan alat dan simpan untuk referensi di kemudian hari.

Bahaya

- Jangan pernah merendam unit motor di dalam air atau cairan lain apa pun, jangan pula membilasnya di bawah keran air.

Peringatan

- Periksa apakah voltase pada alat sesuai dengan voltase listrik di rumah Anda, sebelum menghubungkan alat.
- Jangan gunakan alat ini jika steker, kabel listrik atau alatnya sendiri rusak.
- Jika kabel listrik rusak, maka harus diganti oleh Philips, pusat layanan resmi Philips, atau orang yang mempunyai keahlian sejenis agar terhindar dari bahaya.
- Alat ini dapat digunakan oleh orang dengan keterbatasan fisik, indera, atau kecakapan mental yang kurang atau kurang pengalaman dan pengetahuan jika mereka diberi pengawasan atau petunjuk mengenai cara penggunaan alat yang aman dan mengerti bahayanya.
- Alat ini tidak boleh digunakan oleh anak-anak. Jauhkan alat dan kabelnya dari jangkauan anak-anak.
- Anak-anak dilarang memainkan alat ini.

- Jangan menyentuh tepi pemotong pada unit pisau saat alat sedang tersambung ke stopkontak dan selama pembersihan. Tepi pemotong sangat tajam.
- Jika unit pisau macet, cabut steker alat dari stopkontak sebelum mengeluarkan bahan makanan yang mengganjal unit pisau.
- Alat akan menjadi sangat panas selama pengukusan dan dapat menyebabkan luka bakar jika disentuh. Selalu gunakan pegangan untuk mengangkat tabung.
- Waspadalah terhadap uap panas yang keluar dari tabung selama proses mengukus dan saat tutupnya dilepaskan.
- Waspadalah terhadap uap panas yang keluar dari lubang pengisian pada tangki air ketika Anda melepaskan tutupnya.
- Saat proses mengukus selesai, uap panas akan terus keluar dari lubang keluaran uap pada unit motor dan dari lubang uap pada tutup tabung selama beberapa saat. Berhati-hatilah ketika melepaskan tabung dari unit motor.
- Jika alat ini digunakan dengan cara yang tidak semestinya, uap panas dapat keluar dari lubang pengisian. Lihat bab 'Pemecahan masalah' untuk menghindari atau memecahkan masalah ini.
- Jangan sekali-kali membiarkan alat bekerja tanpa diawasi.
- Jangan membongkar unit motor untuk keperluan pemeliharaan atau pembersihan. Bawa alat ke pusat layanan Philips resmi untuk diperbaiki.

Perhatian

- Jangan sekali-kali menggunakan aksesoris atau komponen apa pun dari produsen lain atau yang tidak secara khusus direkomendasikan oleh Philips. Jika Anda menggunakan aksesoris atau komponen tersebut, garansi Anda menjadi batal.
- Jangan letakkan alat di atas atau di dekat kompor atau pemanas yang sedang beroperasi atau masih panas.
- Selalu cabut steker alat dan tunggu sampai dingin sebelum Anda membersihkannya.
- Jangan pernah gunakan tabung atau komponen alat lainnya di dalam microwave, karena bagian logam pada pegangan tabung dan unit pisau tidak cocok untuk fungsi ini.
- Jangan pernah mensterilkan tabung atau komponen alat lainnya di dalam alat sterilisasi atau microwave, karena bagian logam pada pegangan tabung dan unit pisau tidak cocok untuk fungsi ini.

- Alat ini hanya untuk keperluan rumah tangga. Jika alat ini digunakan tidak sebagaimana layaknya atau untuk tujuan profesional atau semi-profesional, atau digunakan dengan cara yang tidak sesuai dengan petunjuk penggunaan, garansi menjadi tidak berlaku dan Philips tidak bertanggung jawab atas setiap kerusakan yang disebabkan.
- Berhati-hatilah saat menuangkan cairan panas ke gelas blender, karena cairan panas dan uap bisa tersembur dan menyebabkan kulit melepuh.
- Biarkan alat mendingin selama 10 menit sebelum Anda mengukus bahan berikutnya.
- Alat ini tidak ditujukan untuk merajang bahan-bahan keras seperti es batu dan gula batu.
- Jangan biarkan alat memblender lebih dari 30 detik untuk satu kali proses.
Jika proses memblender belum selesai setelah 30 detik, matikan alat dan tunggu beberapa detik sebelum Anda melanjutkan. Jika alat menjadi panas, biarkan mendingin selama beberapa menit sebelum Anda melanjutkan.
- Letakkan alat pada permukaan yang stabil, datar dan rata. Pastikan terdapat cukup ruang di sekitar alat untuk mencegah kerusakan pada benda di dekatnya, contohnya lemari atau objek lainnya, karena alat mengeluarkan uap panas selama digunakan.
- Jangan gunakan alat jika sebelumnya pernah jatuh atau rusak. Bawa alat ke pusat layanan Philips resmi untuk diperbaiki.
- Jangan pernah memasukkan air, cairan lainnya, atau makanan hasil memblender ke dalam tabung untuk dikukus agar alat tidak rusak.
- Jangan pernah menggunakan fungsi mengukus tanpa air.
- Pastikan Anda tidak mengisi tangki air terlalu penuh (maks. 200 ml). Jangan melebihi batas maksimum yang tertera pada gelas ukur.
- Ketika Anda mengukus bahan-bahan, pastikan Anda tidak mengisi tabung terlalu penuh. Pastikan bahwa bagian atas unit pisau berwarna hijau tidak tertutup makanan (Gbr. 2).
- Ketika Anda memblender cairan, jangan melebihi batas maksimum yang tertera pada tabung (450 ml).
- Jangan masukkan benda apa pun ke dalam lubang pengisian atau lubang keluaran uap.
- Jangan pernah menambahkan air ke dalam tangki air selama proses pengukusan, karena dapat mengakibatkan air panas dan uap keluar dari alat.

- Selalu pastikan tutup tabung telah dingin setelah mengukus sebelum dibuka untuk menambahkan bahan lainnya untuk diblender bila perlu.
- Jangan sambungkan alat ke perangkat sakelar eksternal seperti timer dan jangan sambungkan ke sirkuit yang secara teratur dihidup-matikan lewat perangkat ini. Hal ini mencegah bahaya yang dapat disebabkan oleh sistem pengaturan ulang tiba-tiba dari proses pengaman termal.
- Selalu periksa suhu makanan bayi dengan bagian belakang tangan Anda sebelum menyuapi bayi Anda.
- Selalu periksa konsistensi makanan bayi. Pastikan tidak ada potongan kasar dalam makanan.
- Saat proses mengukus (maks. 20 menit) selesai, jangan mengukus atau memanaskan ulang makanan bayi lagi.
- Hanya gunakan spatula yang disertakan untuk mengeluarkan makanan dari tabung.
- Pembersihan kerak berkala akan mencegah kerusakan pada alat.
- Matikan alat dan lepas steker dari stopkontak sebelum mengganti aksesori atau mendekati komponen yang bergerak jika sedang dipakai.
- Berhati-hatilah terhadap pisau yang tajam ketika mengosongkan tabung dan selama membersihkan.
- Selalu lepas steker dari stopkontak jika perangkat ditinggal tanpa pengawasan.
- Pembersihan dan perawatan tidak boleh dilakukan oleh anak-anak.

Sistem pengaman

Alat dilengkapi dengan kunci pengaman bawaan. Alat hanya akan berfungsi jika Anda memasang semua komponen pada unit motor dengan benar. Bila semua komponen sudah dipasang dengan benar, kunci pengaman bawaan akan non-aktif.

Alat ini juga dilengkapi dengan pelindung terhadap panas berlebih. Panas berlebihan dapat terjadi jika jeda antara dua proses pengukusan terlalu singkat, jika fungsi blender digunakan terlalu lama, atau jika jumlah bahan makanan dalam tabung terlalu banyak. Jika pelindung terhadap panas berlebih mematikan alat saat sedang digunakan, setel kenop kontrol ke 0 dan biarkan alat mendingin selama beberapa menit. Setelah itu, Anda dapat kembali menggunakan alat ini.

Medan elektromagnet (EMF)

Alat Philips ini mematuhi semua standar dan peraturan yang berlaku terkait paparan terhadap medan elektromagnet.

Sebelum menggunakan alat pertama kali

- 1 Lepaskan semua bahan kemasan dari alat.
- 2 Bersihkan semua komponen selain unit motor (lihat bab 'Membersihkan dan pemeliharaan').

Menggunakan alat

Selalu periksa suhu makanan bayi dengan bagian belakang tangan Anda sebelum menyuapi bayi Anda.

Selalu pastikan tutup tabung telah dingin setelah mengukus sebelum dibuka untuk menambahkan bahan lainnya yang akan diblender, bila perlu. Jangan melebihi batas maksimum yang tertera pada tabung.

Kosongkan tangki air terlebih dahulu sebelum mengisi ulang untuk memulai proses pengukusan yang baru.

Selalu pastikan bahwa bagian atas unit pisau berwarna hijau tidak tertutup makanan saat Anda mulai mengukus.

Jangan melebihi batas maksimum yang tertera pada tabung (450 ml) pada saat Anda memblender cairan.

Alat ini ditujukan untuk mengukus bahan padat segar lalu memblendernya untuk menghasilkan makanan bayi. Lihat buklet resep untuk beberapa contoh. Biasanya Anda akan mengukus bahan lebih dahulu lalu memblendernya. Namun, Anda juga dapat menggunakan alat ini untuk mengukus atau memblender saja. Bila Anda menggunakan alat untuk memblender saja, lewati bagian 'Mengisi tangki air' dan 'Mengukus' dan ikuti petunjuk pada bagian 'Memblender' saja. Setelah memblender, jangan pernah mengukus makanan yang sudah diblender. Jangan pernah mengukus campuran bahan yang sama lebih dari 20 menit atau lebih dari satu kali.

Alat ini TIDAK ditujukan untuk:

- Mencairkan makanan
- Mengukus makanan beku
- Mengukus makanan yang sudah diblender
- Mengukus bahan yang sama lebih dari 20 menit
- Memasak nasi dan pasta
- Memblender bahan lebih dahulu, kemudian mengukusnya
- Memanaskan cairan, seperti sup atau air
- Menjaga makanan tetap hangat selama beberapa jam
- Memanaskan ulang makanan

Mengisi tangki air

- 1 Isi gelas ukur dengan air sampai batas yang diperlukan (Gbr. 3).

Gelas ukur menunjukkan ukuran milliliter dan waktu pengukusan yang sesuai dalam hitungan menit. Lihat di buklet resep terpisah takaran yang disarankan untuk setiap resep.

Catatan: Jangan melebihi batas maksimum yang tertera pada gelas ukur (200 ml) untuk memastikan Anda tidak mengisi tangki air terlalu penuh.

Catatan: Kami sarankan Anda tidak menggunakan air mineral, karena mineral yang terkandung dalam air mineral akan menyebabkan kerak menumpuk dalam tangki air.

- 2 Tuangkan air ke lubang pengisian dan pasang tutupnya (Gbr. 4).

Catatan: Jangan pernah memasukkan apa pun selain air ke dalam tangki air.

Mengukus

Jika sayuran dan buah-buahan tertentu dikukus dengan perlahan, hasilnya sangat cocok untuk bayi yang sedang belajar makan makanan keras. Pengukusan adalah cara mengolah makanan paling sehat, karena kandungan vitamin dan zat gizi yang sehat tetap terjaga di dalamnya.

Catatan: Anda dapat menemukan aneka resep dan waktu memasak yang diperlukan untuk resep-resep ini di dalam buklet resep terpisah. Perhatikan bahwa resep terkait dengan usia anak.

Catatan: Jangan mengukus bahan beku karena alat tidak dapat memanaskan makanan beku ke suhu yang diperlukan untuk mengukus. Selalu cairkan bahan padat beku sebelum Anda mengukusnya dalam alat ini. Kibaskan sisa air dari bahan yang telah dicairkan sebelum memasukkannya ke dalam tabung.

- 1** Pasang unit pisau pada penahan unit pisau di dalam tabung (Gbr. 5).
- 2** Potong kecil-kecil bahan yang padat (berbentuk dadu tidak lebih dari 2-3 cm) sebelum dimasukkan ke dalam tabung.

Catatan: Jangan mengolah bahan padat dalam jumlah besar pada saat yang bersamaan. Olah bahan-bahan sedikit demi sedikit.

- 3** Masukkan bahan-bahan ke dalam tabung (Gbr. 6).

Catatan: Jangan melebihi bagian atas unit pisau berwarna hijau.

Catatan: Jangan pernah memasukkan air atau cairan lain ke dalam tabung untuk mengukus, agar alat tidak rusak.

- 4** Pasangkan katup di dalam tutup (Gbr. 7).

Catatan: Pastikan katup terpasang dengan benar.

- 5** Pasangkan saringan di dalam tutup tabung (hingga berbunyi 'klik') (Gbr. 8).
- 6** Pasangkan tutup pada tabung dan putar searah jarum jam untuk mengencangkannya. Tonjolan kecil pada tutup harus digeser masuk ke alur dalam tabung. Pastikan bahwa tonjolan besar pada tutup dipasang tepat di atas pegangan tabung (Gbr. 9).
- 7** Balik dan pasang tabung pada unit motor, yaitu dengan tutup mengarah ke bawah. Pastikan pegangan berada di sisi kanan dan sudah terpasang dengan benar (Gbr. 10).

Catatan: Alat tidak akan mulai mengukus jika tabung dan pegangan belum berada pada posisi yang benar.

- 8** Putar kenop kontrol ke posisi mengukus.
 - Lampu pengukusan akan menyala jingga, menandakan bahwa alat sedang mengukus (Gbr. 11).

Uap atau air panas dapat membakar jari Anda. Jangan menyentuh dan jangan biarkan anak-anak menyentuh komponen panas dan uap, karena dapat menyebabkan kulit melepuh (Gbr. 12).

- Waktu pengukusan tergantung pada jumlah air yang Anda masukkan ke dalam tangki air. Lihat tabel dalam bab 'Bahan makanan dan waktu pengukusan' dan buku resep.
- Bila proses mengukus telah selesai, alat akan mengeluarkan bunyi dengung dan lampu pengukusan akan padam.

- 9** Setel kenop kontrol ke posisi off. Tunggu 2 menit sampai tidak ada lagi uap yang keluar dari lubang keluaran uap, untuk menghindari kulit melepuh karena terkena uap panas. (Gbr. 13)

Catatan: Jika Anda ingin mengukus sejumlah bahan lain, biarkan alat mendingin selama 10 menit sebelum Anda mulai mengukus kembali.

- 10** Jika anda ingin melanjutkan dengan memblender makanan yang dikukus, ikuti petunjuk pada bagian 'Memblender setelah mengukus' di bawah ini.

- 11** Dalam kondisi normal, tidak akan ada air yang tersisa di dalam tangki air setelah pengukusan. Akan tetapi, dalam situasi tertentu (misalnya bila ada penumpukan kerak di dalam tangki air, gangguan selama proses pengukusan, atau penggunaan yang tidak semestinya), sedikit air akan tersisa di dalam tangki air. Bila ini terjadi, kosongkan tangki air hingga habis setelah digunakan untuk mencegah pertumbuhan bakteri. Untuk membersihkan kerak pada tangki air, lihat bab 'Membersihkan dan pemeliharaan'.

Memblender setelah mengukus

- 1** Pegang pegangan tabung dan lepaskan tabung dari unit motor. Putar tabung dan goyang-goyangkan sehingga makanan jatuh ke unit pisau (Gbr. 14).

Hanya sentuh pegangan tabung. Tutup, bagian bawah, dan permukaan luar tabung akan terasa panas (Gbr. 15).

- 2** Jika perlu, lepaskan tutup dan tambahkan bahan tambahan untuk memblender (misalnya air atau minyak).

Selalu pastikan tutup tabung dan tutup tangki air telah dingin setelah mengukus sebelum Anda membukanya untuk menambahkan bahan lain ke dalam tabung atau untuk membuang sisa air dari tangki air.

Setelah Anda memasukkan cairan ke dalam tabung, jangan pernah menempatkan tabung dalam posisi mengukus.

- 3** Tempatkan tabung tegak lurus pada unit motor, yaitu dengan tutup menghadap ke atas. Pastikan pegangan berada di sisi kanan dan diposisikan di antara kedua tonjolan pada area pengunci (Gbr. 16).

- 4** Putar kenop kontrol ke posisi memblender. Tahan kenop pada posisi ini hingga makanan terblender dengan baik (Gbr. 17).

Jangan biarkan alat memblender lebih dari 30 detik untuk satu kali proses. Jika proses memblender belum selesai setelah 30 detik, matikan alat dan tunggu beberapa detik sebelum Anda melanjutkan. Jika alat menjadi panas, biarkan mendingin selama beberapa menit sebelum Anda melanjutkan.

Catatan: Jika bahan menempel ke dinding tabung, matikan alat dan sapu menggunakan spatula atau tambahkan sedikit cairan.

Catatan: Pastikan makanan bayi yang diblender memiliki konsistensi yang tepat (mis. tidak bergumpal) sebelum disajikan.

Catatan: Jika makanan bayi masih terlalu padat, tambahkan sedikit cairan (mis. air) hingga makanan bayi lembut dan halus.

- 5** Bila Anda sudah selesai memblender, cukup lepaskan kenop kontrol (Gbr. 18).

- Kenop secara otomatis kembali ke posisi off.

- 6** Cabut alat dari stopkontak.

- 7** Lepaskan unit pisau. Berhati-hatilah saat melepaskan unit pisau karena mungkin panas. Keluarkan makanan yang diblender dari tabung. Bila perlu, gunakan spatula yang disertakan bersama alat ini.

Pastikan suhu makanan bayi aman untuk bayi Anda.

- 8** Dalam kondisi normal, tidak akan ada air yang tersisa di dalam tangki air setelah pengukusan. Akan tetapi, dalam situasi tertentu (misalnya bila ada penumpukan kerak di dalam tangki air, gangguan proses pengukusan, atau penggunaan yang tidak semestinya), sedikit air akan tersisa di dalam tangki air. Bila ini terjadi, kosongkan tangki air hingga habis setelah digunakan untuk mencegah pertumbuhan bakteri. Untuk membersihkan kerak pada tangki air, lihat bab 'Membersihkan dan pemeliharaan'.

Memblender tanpa mengukus

Alat ini ditujukan untuk:

- menghaluskan bahan yang telah dikukus dan dimasak untuk makanan bayi
- memblender cairan dan buah untuk minuman bayi

Alat ini tidak ditujukan untuk merajang bahan-bahan keras seperti es batu dan gula batu.

Setelah Anda memasukkan cairan ke dalam tabung, jangan pernah menempatkan tabung dalam posisi mengukus.

Catatan: Ketika Anda memblender cairan, pastikan Anda tidak mengisi tabung melebihi batas maksimal yang tertera pada tabung.

Catatan: Jangan pernah mengukus makanan bayi setelah diblender.

- 1** Pasang unit pisau pada penahan unit pisau di dalam tabung (Gbr. 5).
- 2** Potong kecil-kecil bahan yang padat (berbentuk dadu tidak lebih dari 2-3 cm) sebelum dimasukkan ke dalam tabung.

Tip: Jangan mengolah bahan padat dalam jumlah besar pada saat bersamaan. Olah bahan-bahan sedikit demi sedikit.

- 3** Masukkan bahan-bahan ke dalam tabung. (Gbr. 6)

Catatan: Jangan melebihi bagian atas unit pisau berwarna hijau.

- 4** Pasangkan katup di dalam tutup (Gbr. 7).

Catatan: Pastikan katup terpasang dengan benar.

- 5** Pasangkan saringan di dalam tutup tabung (hingga berbunyi 'klik') (Gbr. 8).
- 6** Pasangkan tutup pada tabung dan putar searah jarum jam untuk mengencangkannya. Tonjolan kecil pada tutup harus digeser masuk ke alur dalam tabung. Pastikan bahwa tonjolan besar pada tutup dipasang tepat di atas pegangan tabung. (Gbr. 9)
- 7** Tempatkan tabung tegak lurus pada unit motor, yaitu dengan tutup menghadap ke atas. Pastikan pegangan berada di sisi kanan dan diposisikan di antara kedua tonjolan pada area pengunci (Gbr. 16).
- 8** Putar kenop kontrol ke posisi memblender. Tahan kenop dalam posisi ini selama Anda butuhkan, tetapi tidak lebih dari 30 detik (Gbr. 17).

Catatan: Jika bahan menempel ke dinding tabung, matikan alat dan sapu menggunakan spatula atau tambahkan sedikit cairan. Jangan melebihi batas maksimum yang tertera pada tabung.

Catatan: Pastikan makanan bayi yang diblender memiliki konsistensi yang tepat (mis. tidak bergumpal) sebelum disajikan.

Catatan: Jika makanan bayi masih terlalu padat, tambahkan sedikit cairan (mis. air) hingga makanan bayi lembut dan halus. Jangan melebihi batas maksimum yang tertera pada tabung.

Catatan: Jangan pernah mengukus makanan bayi setelah diblender.

Jangan biarkan alat memblender lebih dari 30 detik untuk satu kali proses. Jika proses memblender belum selesai setelah 30 detik, matikan alat dan tunggu beberapa detik sebelum Anda melanjutkan. Jika unit motor menjadi panas, biarkan mendingin selama beberapa menit sebelum Anda melanjutkan.

- 9** Bila Anda sudah selesai memblender, cukup lepaskan kenop kontrol. (Gbr. 18)

- Kenop secara otomatis kembali ke posisi off.

10 Cabut alat dari stopkontak.

11 Lepaskan unit pisau. Berhati-hatilah saat melepaskan unit pisau karena mungkin panas. Keluarkan makanan yang diblender dari tabung. Bila perlu, gunakan spatula yang disertakan bersama alat ini.

Pastikan suhu makanan bayi aman untuk bayi Anda.

Bahan-bahan dan waktu pengukusan		
Jenis makanan	Bahan makanan	Perkiraan waktu pengukusan*
Buah	Apel	5 mnt
	Jeruk	10 mnt
	Persik	10 mnt
	Pir	5 mnt
	Nanas	15 mnt
	Plum	10 mnt
Sayuran	Asparagus	10 mnt
	Brokoli	20 mnt
	Wortel	15 mnt
	Kembang kol	15 mnt
	Seledri	15 mnt
	Zukini	15 mnt
	Adas	15 mnt
	Kacang buncis	20 mnt
	Daun bawang	15 mnt
	Bawang bombay	15 mnt
	Kacang polong	20 mnt
	Cabai/Paprika/Lada	15 mnt
	Kentang	20 mnt
	Labu kuning	15 mnt
	Bayam	15 mnt
	Kacang-kacangan	15 mnt
	Ubi	15 mnt
	Tomat	15 mnt
Daging	Ayam, sapi, domba, babi, dll.	20 mnt
Ikan	Salmon, sole, kod, trout, dll.	15 mnt

* Semua makanan harus dipotong kecil-kecil berbentuk dadu, tidak lebih dari 2-3 cm.

Catatan: Gelas ukur menunjukkan ukuran dalam mililiter dan waktu pengukusan yang sesuai dalam hitungan menit (50 ml = 5 mnt, 100 ml = 10 mnt, 150 ml = 15 mnt, 200 ml = 20 mnt).

Membersihkan dan pemeliharaan

Bersihkan alat setiap kali selesai digunakan.

Jangan pernah merendam unit motor di dalam air.

Jangan pernah gunakan pemutih atau cairan/tablet pensteril kimia dalam alat.

Jangan pernah menggunakan sabut gosok, bahan pembersih abrasif, atau cairan agresif seperti bensin, aseton, atau alkohol untuk membersihkan alat.

- 1 Cabut steker alat dari stopkontak dan lepaskan tabung dari unit motor (Gbr. 19).
- 2 Lepaskan tutup dari tabung dan balikkan posisinya ke bawah (Gbr. 20).
- 3 Lepaskan saringan dan katup dari tutup. (Gbr. 21)
- 4 Bersihkan katup dalam air panas dengan sedikit cairan pembersih, kemudian bilas di bawah keran.
- 5 Lepaskan unit pisau dari tabung (Gbr. 22).
- 6 Segera bersihkan unit pisau di bawah keran secara menyeluruh setelah digunakan. Pastikan Anda juga membilas bagian dalam tabung unit pisau (Gbr. 23).

Anda harus sangat berhati-hati saat memegang unit pisau. Tepi pemotong sangat tajam.

Catatan: Jika Anda ingin membersihkan unit pisau lebih menyeluruh, Anda juga dapat menempatkannya dalam mesin cuci piring setelah dibilas.

- 7 Bersihkan komponen lain yang bersentuhan dengan makanan dalam air panas dengan sedikit cairan pembersih segera setelah digunakan.

Catatan: Semua komponen, kecuali unit motor, juga dapat dibersihkan dalam mesin cuci piring.

- 8 Jika perlu, bersihkan unit motor dengan kain lembap.
- 9 Periksa apakah ada partikel makanan yang masuk ke dalam tangki air. Anda bisa melakukan ini dengan melihat lubang pengisian untuk memastikan apakah ada partikel makanan di dalamnya atau memeriksa apakah air berubah warna dan dengan mencium apakah tangki air mengeluarkan bau tak sedap atau bau hangus. Jika ini terjadi, bersihkan tangki air (lihat bagian 'Membuang kerak pada tangki air' dalam bab ini).
- 10 Biarkan tutup lubang pengisian terbuka untuk mencegah pertumbuhan bakteri.

Membuang kerak pada tangki air

Jika partikel makanan masuk ke tangki air, partikel tersebut dapat menyumbat elemen pemanas dalam tangki air saat proses pengukusan berikutnya. Partikel-partikel ini tidak dapat dihilangkan hanya dengan membilas tangki air.

Selain itu, Anda harus membersihkan kerak pada alat setiap empat minggu untuk memastikan alat terus bekerja efektif 100%. Untuk mengurangi penumpukan kerak, penggunaan air matang atau air filtrasi dalam alat akan sangat membantu.

Untuk menghilangkan partikel makanan dalam tangki air dan membersihkan kerak pada alat, ikuti petunjuk pembersihan kerak di bawah ini.

- 1 Pastikan alat telah dimatikan.
- 2 Campur 50 ml cuka putih (8% asam asetat) dengan 150 ml air.

Catatan: Anda juga dapat menggunakan pembersih kerak berbahan dasar asam sitrat. Jangan gunakan tipe pembersih kerak lainnya.

- 3 Isi tangki air dengan larutan cuka (atau larutan asam sitrat) dan air.

- 4 Pasang tutup lubang pengisian.
- 5 Tempatkan tabung kosong (tanpa makanan di dalamnya) yang sudah dipasang lengkap dengan unit pisau dan tutupnya pada unit motor dalam posisi mengukus (yaitu, dengan tutup mengarah ke bawah).
- 6 Putar kenop kontrol ke posisi mengukus.
 - Lampu pengukusan akan menyala jingga, menandakan bahwa alat sedang mengukus.
- 7 Matikan alat setelah mengukus 5-6 menit dan cabut stekernya.
- 8 Buang larutan cuka (8% asam asetat) dan air dari tangki air (Gbr. 24).
- 9 Bilas tangki air dan tabung secara saksama dengan air bersih beberapa kali.
- 10 Isi tangki dengan 200 ml air dan biarkan alat menyelesaikan proses pengukusan selama 20 menit dengan tabung kosong sebelum Anda kembali menggunakan alat untuk memproses makanan.
- 11 Biarkan tutup lubang pengisian terbuka untuk mencegah pertumbuhan bakteri.

Mendaur ulang

- Simbol ini berarti produk ini dilarang dibuang bersama limbah rumah tangga biasa (2012/19/EU) (Gbr. 25).
- Patuhi peraturan mengenai pengumpulan produk-produk elektrik dan elektronik di negara Anda. Pembuangan produk secara benar akan membantu mencegah dampak negatif terhadap lingkungan dan kesehatan manusia.

Penyimpanan

- 1 Kosongkan tangki air sebelum Anda menyimpan alat (Gbr. 24).
- 2 Pastikan semua komponen sudah bersih dan kering sebelum Anda menyimpan alat (lihat bab 'Membersihkan dan pemeliharaan').
- 3 Simpan alat dengan unit pisau di dalam tabung untuk mencegah kerusakan.
- 4 Jangan pasang tutup pada tabung dan biarkan tutup lubang pengisian terbuka untuk menghindari pertumbuhan bakteri.

Garansi dan dukungan

Jika Anda membutuhkan informasi atau dukungan, harap kunjungi www.philips.com/support atau bacalah pamflet garansi internasional.

Spesifikasi teknis

- Voltase/watt: lihat pelat tipe di bagian bawah alat.
- Kapasitas maksimum tangki air: 200 ml.
- Kapasitas maksimum tabung, cairan: 450 ml.
- Perlindungan: sistem pemanas dengan kontrol suhu dan kunci pengaman.

Pemecahan masalah

Bab ini merangkum berbagai masalah paling umum yang mungkin Anda temui pada alat. Jika Anda tidak dapat mengatasi masalah dengan informasi di bawah, kunjungi www.philips.com/support untuk daftar pertanyaan yang sering diajukan atau hubungi Pusat Layanan Konsumen di negara Anda.

Masalah	Kemungkinan penyebab	Solusi
Alat tidak mau bekerja.	Alat ini dilengkapi kunci pengaman. Jika komponen belum dipasang dengan benar pada unit motor, alat tidak akan berfungsi.	Pasang semua komponen dengan benar. Lihat bab 'Menggunakan alat'.
Lampu pengukusan tidak menyala.	Alat tidak terhubung ke sumber listrik. Tabung tidak terpasang dengan benar pada unit motor.	Masukkan steker ke stopkontak dinding. Tempatkan tabung pada unit motor dengan benar.
	Anda ingin memulai proses pengukusan kedua setelah pengukusan pertama selesai.	Matikan alat dan biarkan dingin selama beberapa menit sebelum Anda memulai proses pengukusan kedua.
Bahan-bahan tidak dipanaskan seluruhnya.	Potongan bahan dalam tabung terlalu besar; terlalu banyak bahan makanan dalam tabung, atau makanan kurang lama dikukus.	Potong-potong bahan makanan menjadi lebih kecil (2-3 cm), kurangi jumlah bahan makanan di dalam tabung, atau pilih waktu mengukus yang lebih lama (maks. 20 menit). Lihat buklet resep dan/atau tabel dalam bab 'Bahan makanan dan waktu pengukusan' untuk memastikan Anda memilih waktu pengukusan yang benar untuk bahan yang ingin Anda kukus atau resep yang akan Anda olah.
Alat tidak dapat menghasilkan uap.	Anda belum mengisikan air ke dalam tangki alat. Anda belum memasang tabung pada unit motor dalam posisi yang benar.	Matikan alat dan tuang jumlah air yang tepat ke dalam alat. Tempatkan tabung pada alat dalam posisi yang benar (lihat bagian 'Mengukus' dalam bab 'Menggunakan alat').
Pengukusan memakan waktu terlalu lama atau fungsi pengukus tidak berfungsi sama sekali.	Terlalu banyak kerak di dalam tangki air.	Buang kerak pada tangki air. Lihat bab 'Membersihkan dan pemeliharaan', bagian 'Membuang kerak pada tangki air'.
Uap keluar dari lubang pengisian.	Tutup lubang pengisian belum terpasang rapat.	Pasang tutup lubang pengisian dengan benar (hingga berbunyi 'klik').

Masalah	Kemungkinan penyebab	Solusi
	Lubang keluaran uap pada unit motor tersumbat makanan atau kerak.	Bersihkan lubang keluaran uap dengan benda runcing tanpa merusak pengaman dan ikuti petunjuk membuang kerak di masa mendatang. Lihat bab 'Membersihkan dan pemeliharaan,' bagian 'Membuang kerak pada tangki air'.
	Lubang uap pada tutup tersumbat.	Lepaskan katup dan bersihkan lubang uap pada tutup dengan benar.
Lampu pengukusan akan menyala lagi setelah proses pengukusan selesai. Setelah beberapa saat, alat berdengung lagi.	Anda secara tidak sengaja telah membiarkan tabung pada alas selama lebih dari 10 menit tanpa mematikan alat.	Matikan alat dalam waktu 10 menit setelah proses pengukusan selesai, lalu blender makanan atau keluarkan dari tabung.
Unit pisau atau unit motor tersumbat.	Terlalu banyak bahan makanan dalam tabung.	Matikan alat dan olah dalam jumlah lebih sedikit. Jangan mengisi tabung melewati bagian atas unit pisau berwarna hijau.
Unit motor mengeluarkan bau tak sedap selama beberapa kali pemakaian pertama.	Hal ini normal.	Jika alat terus-menerus mengeluarkan bau ini setelah Anda menggunakannya beberapa kali, periksalah apakah takaran bahan yang Anda olah dan waktu pengolahan sudah benar. Lihat bab 'Bahan makanan dan waktu pengukusan'.
Alat terus-menerus mengeluarkan bau tak sedap setelah saya menggunakannya beberapa kali.	Anda memasukkan terlalu banyak makanan dalam tabung atau membiarkan alat memblender terlalu lama.	Olah makanan dalam jumlah lebih sedikit dan jangan biarkan alat bekerja lebih dari 30 detik untuk satu kali proses.
Alat mengeluarkan suara keras, berbau tidak sedap, sangat panas bila disentuh, berasap, dsb.	Terlalu banyak bahan makanan dalam tabung.	Matikan alat dan olah dalam jumlah lebih sedikit.
	Anda membiarkan alat beroperasi terlalu lama tanpa henti.	Jangan biarkan alat memblender lebih dari 30 detik untuk satu kali proses.
Tutup tabung bocor.	Anda belum memasang tutup pada tabung dengan benar.	Pasang tutup pada tabung dengan benar. Lihat bab 'Menggunakan alat'.

Masalah	Kemungkinan penyebab	Solusi
	Terlalu banyak bahan makanan dalam tabung.	Matikan alat dan olah dalam jumlah lebih sedikit.
Terdapat bintik-bintik putih pada lubang pengisian dan/atau tabung, saringan, dan tutup.	Muncul kerak pada bagian ini.	Hal ini normal. Bersihkan kerak secara berkala. Lihat bab 'Membersihkan dan pemeliharaan', bagian 'Membuang kerak pada tangki air'.
Alat mengeluarkan suara keras pada saat memblender.	Saringan tidak terpasang pada tutup tabung.	Pastikan saringan sudah terpasang pada tutup tabung.
Warna air dalam tangki air berbeda ketika dituang keluar dari tangki air, atau ketika air masuk ke dalam tabung selama mengukus, atau air dalam tangki air berbau tidak sedap.	Partikel makanan masuk ke tangki air ketika digunakan.	Bersihkan tangki air sesuai petunjuk dalam bab 'Membersihkan dan pemeliharaan', bagian 'Membuang kerak pada tangki air'. Gunakan alat hanya sesuai instruksi. Pastikan Anda tidak mengisi tangki air terlalu penuh (maks. 200 ml) dan tidak mengisi tabung terlalu penuh dengan makanan (jangan isi tabung melebihi bagian atas unit pisau berwarna hijau). Jangan mengukus bahan makanan yang sama lebih dari 20 menit dan jangan masukkan air untuk mengukus langsung ke dalam tabung. Pastikan juga bahwa katup sudah terpasang rapat pada tutup.
Bau makanan terpanggang atau hangus keluar dari tangki air	Partikel makanan masuk ke tangki air ketika digunakan dan menggumpal pada elemen pemanas.	Bersihkan tangki air sesuai petunjuk dalam bab 'Membersihkan dan pemeliharaan', bagian 'Membuang kerak pada tangki air'. Gunakan alat hanya sesuai instruksi. Pastikan Anda tidak mengisi tangki air terlalu penuh (maks. 200 ml) dan tidak mengisi tabung terlalu penuh dengan makanan (jangan isi tabung melebihi bagian atas unit pisau berwarna hijau). Jangan mengukus bahan makanan yang sama lebih dari 20 menit dan jangan masukkan air untuk mengukus langsung ke dalam tabung. Pastikan juga bahwa katup sudah terpasang rapat pada tutup.

Masalah	Kemungkinan penyebab	Solusi
Terdapat bintik-bintik gelap pada makanan bayi atau warna air dalam tabung tidak seperti biasanya.	Partikel makanan masuk ke tangki air ketika digunakan dan menggumpal pada elemen pemanas. Ini menyebabkan sisa-sisa partikel makanan masuk ke tabung selama pengukusan.	Bersihkan tangki air sesuai petunjuk dalam bab 'Membersihkan dan pemeliharaan', bagian 'Membuang kerak pada tangki air'. Gunakan alat hanya sesuai instruksi. Pastikan Anda tidak mengisi tangki air terlalu penuh (maks. 200 ml) dan tidak mengisi tabung terlalu penuh dengan makanan (jangan isi tabung melebihi bagian atas unit pisau berwarna hijau). Jangan mengukus bahan makanan yang sama lebih dari 20 menit dan jangan masukkan air untuk mengukus langsung ke dalam tabung. Pastikan juga bahwa katup sudah terpasang rapat pada tutup.

Pelumat dan Pengukus

Model: SCF870

Listrik: 220-240V~, 50-60 Hz

Power: 400W

Negara Pembuat: Turki

Diimpor oleh: PT Philips Indonesia

Commercial Jl. Buncit Raya kav. 99

Jakarta 12510, Indonesia

Registration number: I.19.PIC1.00301.0214

Innledning

Gratulerer med kjøpet og velkommen til Philips Avent! Du kan få enda større nytte av støtten fra Philips Avent hvis du registrerer produktet ditt på www.philips.com/welcome.

Denne kombinerte dampenheten og hurtigmikseren passer spesielt godt til å tilberede små mengder babymat. Den kombinerte dampenheten og hurtigmikseren er til hjelp for alle foreldre når de skal tilberede ferske måltider for babyen med en enkel damp- og miksefunksjon kombinert i ett apparat.

Generell beskrivelse (fig. 1)

- 1 Lokk med damphull
- 2 Sil
- 3 Knivenhet
- 4 Kanne med knivenhetholder
- 5 Påfyllingsåpning på vannbeholder
- 6 Dampåpning på motorenhet
- 7 Låseområde for håndtak
- 8 Motorenhet
- 9 Damplampe
- 10 Kontrollbryter
- 11 Ventil
- 12 Slikkepott
- 13 Målebeger
- 14 Bunn av apparatet med ledning

Viktig

Les denne brukerveiledningen nøye før du bruker apparatet, og ta vare på den for senere referanse.

Fare

- Motorenheten må aldri senkes ned i vann eller annen væske, og den må heller ikke skylles under rennende vann.

Advarsel

- Før du kobler til apparatet, må du kontrollere at spenningen som er angitt på apparatet, stemmer overens med nettspenningen.
- Du må ikke bruke apparatet hvis støpselet, ledningen eller selve apparatet er ødelagt.
- Hvis ledningen er ødelagt, må den alltid skiftes ut av Philips, et servicesenter som er godkjent av Philips, eller lignende kvalifisert personell, slik at man unngår farlige situasjoner.
- Dette apparatet kan brukes av personer med nedsatt sanseevne eller fysisk eller psykisk funksjonsevne, eller personer med manglende erfaring eller kunnskap, dersom de får instruksjoner om sikker bruk av apparatet eller tilsyn som sikrer sikker bruk, og hvis de er klar over risikoen.
- Barn får ikke bruke apparatet. Oppbevar apparatet og ledningen utilgjengelig for barn.

- Barn skal ikke leke med apparatet.
- Ikke berør bladene til knivenheten når apparatet er tilkoblet, og under rengjøring. Knivbladene er svært skarpe.
- Hvis knivenheten setter seg fast, må du koble fra apparatet før du fjerner ingrediensene som hindrer knivenheten i å gå rundt.
- Apparatet blir svært varmt ved damping og kan forårsake brannskader hvis det blir berørt. Løft kannen i håndtaket.
- Vær oppmerksom på at det kommer varm damp ut av kannen under damping, og når du tar av lokket.
- Vær oppmerksom på at det kommer varm damp ut av vanntankens påfyllingsåpning når du tar av lokket.
- Når dampprosessen er ferdig, fortsetter det å komme varm damp ut av dampåpningen på motorenheten og fra dampullet i lokket en liten stund. Vær forsiktig når du løfter kannen av motorenheten.
- Hvis apparatet brukes feil, kan det komme varm damp ut av påfyllingsåpningen. Se avsnittet Feilsøking for å unngå eller løse dette.
- Ikke la apparatet stå på uten tilsyn.
- Ikke ta fra hverandre motorenheten for vedlikehold eller rengjøring. Ta den med til et autorisert Philips-servicesenter for reparasjon.

Forsiktig

- Ikke bruk tilbehør eller deler fra andre produsenter, eller deler som Philips ikke spesifikt anbefaler. Hvis du bruker denne typen tilbehør eller deler, fører det til at garantien blir ugyldig.
- Ikke plasser apparatet på eller nær en komfyr eller stekeovn som brukes, eller som fremdeles er varm.
- Trekk alltid støpslet ut av kontakten og la apparatet kjøles ned før rengjøring.
- Bruk aldri kannen eller noen annen del av apparatet i en mikrobølgeovn, da metalldelene på håndtaket til kannen og knivenheten ikke egner seg til slik bruk.
- Steriliser aldri kannen eller noen annen del av apparatet i en mikrobølgeovn eller et steriliseringsapparat, da metalldelene på håndtaket til kannen og knivenheten ikke egner seg til slik bruk.
- Dette apparatet skal bare brukes i husholdningen. Hvis apparatet brukes feil eller på en måte som tilsvarer profesjonell bruk, eller hvis bruksanvisningen ikke følges, vil ikke garantien være gyldig lenger, og Philips vil da ikke påta seg noe ansvar for eventuelle skader.
- Vær forsiktig når du heller varm væske i begeret, da varm væske og damp kan forårsake brannskader.
- La apparatet avkjøles i 10 minutter før du damper flere ingredienser.

- Apparatet er ikke beregnet for hakking av harde ingredienser som isbiter og sukkerbiter.
- Ikke la apparatet gå i mer enn 30 sekunder om gangen. Hvis du ikke er ferdig med miksing etter 30 sekunder, slår du av apparatet og venter et par sekunder før du fortsetter. Hvis apparatet blir varmt, lar du det avkjøles i noen minutter før du fortsetter.
- Plasser apparatet på en stabil, horisontal og jevn overflate. Kontroller at det er nok plass rundt apparatet slik at det ikke blir skadet på for eksempel skap eller andre gjenstander, da det kommer varm damp ut av apparatet under bruk.
- Hvis apparatet har falt ned eller er skadet på noen måte, må det ikke brukes. Ta det med til et autorisert Philips-servicesenter for reparasjon.
- Ikke hell vann, annen væske eller mikset mat i kannen for damping for å unngå skade på apparatet.
- Bruk aldri dampfunksjonen uten vann.
- Kontroller at du ikke fyller for mye vann i vannbeholderen (maksimum 200 ml). Ikke overskrid maksimumsnivået angitt på målebegeret.
- Når du damper ingredienser, må du kontrollere at du ikke fyller for mye ingredienser i kannen. Kontroller at toppen på den grønne knivenheten ikke dekkes av mat (fig. 2).
- Når du mikser væsker, må du ikke overskride maksimumsnivået angitt på kannen (450 ml).
- Ikke stikk noen gjenstander inn i påfyllingsåpningen eller dampåpningen.
- Etterfyll aldri vannbeholderen under damping. Det kan som et resultat av dette komme varmt vann og damp ut av apparatet.
- Kontroller alltid at lokket er avkjølt etter damping før du åpner det for å tilsette flere ingredienser, hvis det er nødvendig.
- Ikke koble apparatet til en ekstern bryterenhet, for eksempel en timer, og ikke koble det til en krets som regelmessig slås av og på av det offentlige. Dette forhindrer farer på grunn av at varmesikkerhetsmekanismen tilbakestilles ved et uhell.
- Kontroller alltid temperaturen på babymaten bak på hånden før du mater babyen.
- Kontroller alltid konsistensen på babymaten. Kontroller at det ikke er store biter i maten.
- Når dampprosessen (maksimum 20 minutter) er ferdig, må du ikke dampe eller varme opp babymaten igjen.
- Bruk bare slikkepotten som fulgte med, til å ta maten ut av kannen.
- Regelmessig avkalking forhindrer skade på apparatet.

- Slå av apparatet og koble fra strømforsyningen før du endrer tilbehør eller nærmer deg deler som rører på seg under bruk.
- Vær forsiktig når du håndterer de skarpe knivbladene, når du tømmer kannen, og under rengjøring.
- Koble alltid enheten fra strømforsyningen hvis den står uten tilsyn.
- Barn skal ikke utføre rengjøring eller vedlikehold.

Sikkerhetssystem

Apparatet er utstyrt med en innebygd sikkerhetslås. Apparatet fungerer bare hvis du har satt alle delene riktig sammen på motorenheten. Hvis alle delene er satt sammen riktig, låses den innebygde sikkerhetslåsen opp.

Apparatet er utstyrt med en overopphetingsbeskyttelse. Apparatet kan overopphetes hvis tiden mellom to dampprosesser er for kort, hvis miksefunksjonen brukes for lenge, eller hvis det er for mye ingredienser i kannen. Hvis overopphetingsbeskyttelse slår av apparatet under bruk, setter du kontrollbryteren til 0, og lar apparatet avkjøles i noen minutter. Etter dette kan du bruke apparatet igjen.

Elektromagnetiske felt (EMF)

Dette Philipsapparatet overholder alle aktuelle standarder og forskrifter for eksponering for elektromagnetiske felt.

Før bruk første gang

- 1 Fjern all emballasjen fra apparatet.
- 2 Rengjør alle delene bortsett fra motorenheten (se avsnittet Rengjøring og vedlikehold).

Bruke apparatet

Kontroller alltid temperaturen på babymaten bak på hånden før du mater babyen.

Kontroller alltid at lokket er avkjølt etter damping før du fjerner det for å tilsette flere ingredienser, hvis det er nødvendig. Ikke overskrid maksimumsnivået angitt på kannen.

Tøm vannbeholderen før du fyller den igjen for en ny dampprosess.

Kontroller alltid at toppen på den grønne knivenheten ikke dekkes av mat når du begynner dampingen.

Ikke overskrid maksimumsnivået angitt på kannen (450 ml), når du mikser væsker.

Dette apparatet skal brukes til å dampe ferske, faste ingredienser; og deretter mikse dem for å lage babymat. Se det separate oppskriftsheftet for noen eksempler. Normalt vil du først dampe ingrediensene og deretter mikse dem. Du kan imidlertid også bruke apparatet bare til damping eller bare til miksing. Når du bruker apparatet bare til miksing, hopper du over avsnittene Fyll vannbeholderen og Damping, og følger bare instruksjonene i avsnittet Mikse. Etter miksing må du aldri dampe mat som er mikset. Damp aldri de samme ingrediensene i mer enn 20 minutter eller mer enn én gang.

Apparatet er IKKE beregnet for følgende:

- Tine mat
- Dampe frossen mat
- Dampe mat som er mikset
- Dampe de samme ingrediensene i mer enn 20 minutter
- Koke ris og pasta
- Mikse ingredienser først og deretter dampe dem
- Varme opp væsker; for eksempel suppe eller vann
- Holde mat varm i flere timer
- Varme opp mat på nytt

Fylle vannbeholderen

1 Fyll målebegeret med vann opp til ønsket nivå (fig. 3).

Målebegeret viser milliliter og tilsvarende damptid i minutter. Se det separate oppskriftsheftet for anbefalte mengder i oppskriftene.

Merk: Ikke overskrid maksimumsnivået angitt på målebegeret (200 ml) for å kontrollere at du ikke fyller for mye vann i vannbeholderen.

Merk: Vi anbefaler at du ikke bruker mineralvann, da mineralene i denne typen vann forårsaker at det dannes kalk inne i vannbeholderen.

2 Hell vannet i påfyllingsåpningen, og lukk lokket (fig. 4).

Merk: Hell aldri noe annet enn vann i vannbeholderen.

Damping

Hvis visse typer grønnsaker og frukt dampes forsiktig, er de perfekte for babyer som skal begynne å spise fast føde. Damping er den sunneste måten å tilberede mat på, siden maten beholder mange av vitaminene og andre sunne næringsstoffer.

Merk: Du finner oppskrifter og koketidene som gjelder, i det separate oppskriftsheftet. Legg merke til at oppskriftene er knyttet til alderen på barnet.

Merk: Damp aldri frossen mat, siden apparatet ikke kan varme opp frossen mat til temperaturen som trengs til damping. Du må alltid tine frosne, faste ingredienser før du damper dem i dette apparatet.

Rist av overflødig vann fra de opptinte ingrediensene før du har dem i kannen.

1 Sett knivenheten på knivenhetholderen i kannen (fig. 5).

2 Del faste ingredienser i små biter (terninger som ikke er større enn 2–3 cm) før du har dem i kannen.

Merk: Ikke kjør store mengder faste ingredienser samtidig. Tilbered slike ingredienser i flere omganger i stedet.

3 Ha ingrediensene i mikserkannen (fig. 6).

Merk: Ikke overskrid toppen på den grønne knivenheten.

Merk: Ikke hell vann eller annen væske i kannen for damping for å unngå skade på apparatet.

4 Sett ventilen i lokket (fig. 7).

Merk: Kontroller at ventilen er festet ordentlig.

5 Sett silen i lokket på kannen (du hører et klikk) (fig. 8).

6 Plasser lokket på kannen, og vri lokket med klokken for å feste det. De små tappene på lokket må skyves inn i sporene på kannen. Kontroller at den store tappen på lokket er plassert over håndtaket på kannen (fig. 9).

7 Plasser kannen opp ned på motorenheten, det vil si med lokket nedover.

Kontroller at håndtaket er på høyre side, og at det er festet ordentlig (fig. 10).

Merk: Apparatet begynner ikke å dampe hvis kannen og håndtaket ikke er riktig plassert.

8 Vri kontrollbryteren i dampstilling.

- Damplampen lyser oransje for å vise at apparatet damper (fig. 11).

Varm damp eller varmt vann kan brenne deg på fingrene. Ikke berør, og la aldri barn berøre varme deler eller damp, da dette kan forårsake brannskader (fig. 12).

- Damptiden er avhengig av hvor mye vann du helte i vannbeholderen. Se tabellen i avsnittet Ingredienser og damptider og i oppskriftsheftet.
- Når dampprosessen er ferdig, lager apparatet en summelyd, og damplampen slukkes.

- 9** Sett kontrollbryteren til av. Vent i to minutter til det ikke kommer mer damp ut av dampåpningen for å unngå å bli skåldet av varm damp. (fig. 13)

Merk: Hvis du vil dampe mer ingredienser, må du la apparatet avkjøles i ti minutter før du begynner å dampe igjen.

- 10** Hvis du vil fortsette å mikse den dampede maten, følger du instruksjonene i avsnittet Mikse etter damping nedenfor.

- 11** Vanligvis vil det ikke være mer vann igjen i vannbeholderen etter damping. Men i noen situasjoner (for eksempel hvis det har samlet seg et kalkbelegg inne i vannbeholderen, eller ved avbrudd i dampprosessen eller utilsiktet bruk) kan det være litt vann igjen i vannbeholderen. I slike tilfeller tømmer du vannbeholderen etter bruk for å unngå bakterievekst. Se avsnittet Rengjøring og vedlikehold for å få informasjon om hvordan du avkalker vannbeholderen.

Mikse etter damping

- 1** Ta tak i håndtaket på kannen, og løft kannen av motorenheten. Snu kannen rundt, og rist den slik at maten faller ned på knivenheten (fig. 14).

Berør bare håndtaket på kannen. Lokket, bunnen og overflaten utenpå kannen er varme (fig. 15).

- 2** Hvis det er nødvendig, fjerner du lokket og tilsetter ekstra ingredienser for miksing (f.eks. vann eller olje).

Kontroller alltid at lokket på kannen og lokket på vannbeholderen er avkjølt etter dampingen før du åpner dem og tilsetter flere ingredienser i kannen, eller for å fjerne gjenværende vann fra vannbeholderen.

Når du har tilsatt væsker i kannen, kan du ikke sette kannen i dampstilling.

- 3** Plasser kannen stående på motorenheten, det vil si med lokket oppover. Kontroller at håndtaket er på høyre side og plassert mellom de to kantene på låseområdet (fig. 16).
- 4** Vri kontrollbryteren til miksing. Hold bryteren i denne posisjonen til maten er skikkelig mikset (fig. 17).

Ikke la apparatet gå i mer enn 30 sekunder om gangen. Hvis du ikke er ferdig med miksing etter 30 sekunder, slår du av apparatet og venter et par sekunder før du fortsetter. Hvis apparatet blir varmt, lar du det avkjøles i noen minutter før du fortsetter.

Merk: Hvis ingrediensene fester seg til veggen på kannen, slår du av apparatet og bruker en slikkepott eller har i væske for å løsne dem.

Merk: Kontroller at babymatblandingen har riktig konsistens (f.eks. ingen klumper) før du serverer den.

Merk: Hvis babymaten fremdeles er for fast, kan du tilsette noe væske (f.eks. vann) til babymaten er jevn og myk.

- 5** Når du er ferdig med miksing, slipper du bare kontrollbryteren (fig. 18).
- Bryteren går automatisk tilbake til av.

- 6** Koble fra apparatet.

- 7** Fjern knivenheten. Vær forsiktig når du fjerner knivenheten. Den kan være varm. Fjern den miksede maten fra kannen. Bruk eventuelt slikkepotten som følger med dette apparatet.

Kontroller at babymaten har en trygg temperatur for babyen.

- 8** Vanligvis vil det ikke være mer vann igjen i vannbeholderen etter damping. Men i noen situasjoner (for eksempel hvis det har samlet seg et kalkbelegg inne i vannbeholderen, eller ved avbrudd i dampprosessen eller utilsiktet bruk) kan det være litt

vann igjen i vannbeholderen. I slike tilfeller tømmer du vannbeholderen etter bruk for å unngå bakterievekst. Se avsnittet Rengjøring og vedlikehold for å få informasjon om hvordan du avkalker vannbeholderen.

Mikse uten damping

Apparatet er beregnet for:

- å lage puré av dampede og kokte ingredienser for baby mat
- å mikse væsker og frukt for babydrikke

Apparatet er ikke beregnet for hakking av harde ingredienser som isbiter og sukkerbiter.

Når du har tilsatt væsker i kannen, kan du ikke sette kannen i dampstilling.

Merk: Når du mikser væsker, må du kontrollere at du ikke fyller kannen over maksimumsnivået angitt på kannen.

Merk: Damp aldri baby mat etter at du har mikset den.

1 Sett knivenheten på knivenholderen i kannen (fig. 5).

2 Del faste ingredienser i små biter (terninger som ikke er større enn 2–3 cm) før du har dem i kannen.

Tips: Ikke kjør store mengder faste ingredienser samtidig. Tilbered slike ingredienser i flere omganger i stedet.

3 Ha ingrediensene i mikserkannen. (fig. 6)

Merk: Ikke overskrid toppen på den grønne knivenheten.

4 Sett ventilen i lokket (fig. 7).

Merk: Kontroller at ventilen er festet ordentlig.

5 Sett silen i lokket på kannen (du hører et klikk) (fig. 8).

6 Plasser lokket på kannen, og vri lokket med klokken for å feste det. De små tappene på lokket må skyves inn i sporene på kannen. Kontroller at den store tappen på lokket er plassert over håndtaket på kannen. (fig. 9)

7 Plasser kannen stående på motorenheten, det vil si med lokket oppover. Kontroller at håndtaket er på høyre side og plassert mellom de to kantene på låseområdet (fig. 16).

8 Vri kontrollbryteren til miksing. Hold bryteren i denne posisjonen så lenge det er nødvendig, men ikke mer enn 30 sekunder (fig. 17).

Merk: Hvis ingrediensene fester seg til veggen på kannen, slår du av apparatet og løsner dem ved hjelp av en slikkepott eller ved å ha i væske. Ikke overskrid maksimumsnivået angitt på kannen.

Merk: Kontroller at baby matblandingen har riktig konsistens (f.eks. ingen klumper) før du serverer den.

Merk: Hvis baby maten fremdeles er for fast, kan du tilsette noe væske (f.eks. vann) til baby maten er jevn og myk. Ikke overskrid maksimumsnivået angitt på kannen.

Merk: Damp aldri baby mat etter at du har mikset den.

Ikke la apparatet gå i mer enn 30 sekunder om gangen. Hvis du ikke er ferdig med miksing etter 30 sekunder, slår du av apparatet og venter noen sekunder før du fortsetter. Hvis motorenheten blir varm, lar du den avkjøles i noen minutter før du fortsetter.

9 Når du er ferdig med miksing, slipper du bare kontrollbryteren. (fig. 18)

- Bryteren går automatisk tilbake til av.

10 Koble fra apparatet.

11 Fjern knivenheten. Vær forsiktig når du fjerner knivenheten. Den kan være varm. Fjern den miksede maten fra kannen. Bruk eventuelt slikkepotten som følger med dette apparatet.

Kontroller at babymaten har en trygg temperatur for babyen.

Ingredienser og damptider

Matttype	Ingrediens	Cirka damptid*
Frukt	Eple	5 min
	Appelsiner	10 min
	Fersken	10 min
	Pære	5 min
	Ananas	15 min
	Plomme	10 min
Grønnsaker	Asparges	10 min
	Brokkoli	20 min
	Gulrot	15 min
	Blomkål	15 min
	Selleri	15 min
	Squash	15 min
	Fennikel	15 min
	Franske bønner	20 min
	Purre	15 min
	Løk	15 min
	Erter	20 min
	Paprika	15 min
	Potet	20 min
	Gresskar	15 min
	Spinat	15 min
Kålrot	15 min	
Søtpotet	15 min	
Tomat	15 min	
Kjøtt	Kylling, storfe, lam, svin osv.	20 min
Fisk	Laks, sjøtunge, torsk, ørret osv.	15 min

*All mat må være delt opp i små terninger; ikke større enn 2–3 cm.

Merk: Målebegeret viser milliliter og tilsvarende damptid i minutter (50 ml = 5 min, 100 ml = 10 min, 150 ml = 15 min, 200 ml = 20 min).

Rengjøring og vedlikehold

Rengjør alltid apparatet etter bruk.

Motorenheten må aldri senkes ned i vann.

Bruk aldri blekemiddel eller kjemiske steriliseringsløsninger/-tabletter i apparatet.

Bruk aldri skurebørster, skuremidler eller væsker som bensin, aceton eller alkohol til å rengjøre apparatet.

- 1** Koble fra apparatet, og ta kannen av motorenheten (fig. 19).
- 2** Fjern lokket fra kannen, og snu det opp ned (fig. 20).
- 3** Fjern silen og ventilen fra lokket. (fig. 21)
- 4** Rengjør ventilen i varmt vann med litt oppvaskmiddel, og skyll den under springen.
- 5** Fjern knivenheten fra kannen (fig. 22).
- 6** Rengjør knivenheten ordentlig under springen umiddelbart etter bruk. Kontroller at du også skyller inni røret på knivenheten (fig. 23).

Vær forsiktig når du håndterer knivenheten. Eggene er svært skarpe.

Merk: Hvis du vil rengjøre knivenheten grundigere, kan du også sette den i oppvaskmaskinen etter at du har skylt den.

- 7** Rengjør andre deler som har vært i kontakt med mat, i varmt vann og oppvaskmiddel umiddelbart etter bruk.

Merk: Alle delene unntatt motorenheten kan også vaskes i oppvaskmaskinen.

- 8** Hvis det er nødvendig, rengjør du motorenheten med en fuktig klut.
- 9** Kontroller om det har kommet matpartikler i vannbeholderen. Du gjør dette ved å se etter matpartikler gjennom påfyllingsåpningen, eller ved å sjekke om vannet har en uvanlig farge, og ved å kjenne etter om vannbeholderen lukter ubehagelig eller brent. I slike tilfeller rengjør du vannbeholderen (se Rengjøre vannbeholderen i dette avsnittet).
- 10** La lokket på påfyllingsåpningen stå åpent for å forhindre bakterievekst.

Avkalk vannbeholderen

Hvis det har kommet matpartikler i vannbeholderen, kan de sette seg fast på varmeelementet i vannbeholderen under den neste dampprosessen. Disse partiklene forsvinner ikke ved bare å skylle vannbeholderen.

Du må i tillegg avkalke apparatet hver fjerde uke for å sikre at det fortsetter å fungere 100 % effektivt. Hvis du vil redusere kalkbelegg, er det nyttig å bruke forhåndskokt eller filtrert vann i apparatet. Følg avkalkingsinstruksjonene nedenfor for å fjerne matpartikler i vannbeholderen, og for å avkalke apparatet.

- 1** Pass på at apparatet er slått av.
- 2** Tilfør 50 ml hvit eddik (8 % eddiksyre) til 150 ml vann.

Merk: Du kan også bruke avkalkingsmidler basert på sitronsyre. Ikke bruk andre typer avkalkingsmidler.

- 3** Fyll vannbeholderen med eddikblandingen (eller sitronsyreblandingen) og vann.
- 4** Lukk lokket på påfyllingsåpningen.
- 5** Plasser den tomme kannen (uten noe mat) satt sammen med knivenheten og lokket på motorenheten i dampstilling (det vil si med lokket nedover).

- 6 Vri kontrollbryteren til dampstilling.
 - Damplampen lyser oransje for å vise at apparatet damper.
- 7 Slå av apparatet etter 5–6 minutters damping, og trekk ut støpselet fra stikkkontakten.
- 8 Hell den brukte blandingen av hvit eddik (8 % eddiksyre) og vann ut av vannbeholderen (fig. 24).
- 9 Skyll vannbeholderen og kannen godt med rent vann flere ganger.
- 10 Fyll beholderen med 200 ml vann, og la apparatet fullføre en dampprosess på 20 minutter med den tomme kannen før du bruker apparatet med mat igjen.
- 11 La lokket på påfyllingsåpningen stå åpent for å forhindre bakterievekst.

Resirkulering

- Dette symbolet betyr at dette produktet ikke må avhendes i vanlig husholdningsavfall (2012/19/EU) (fig. 25).
- Følg nasjonale bestemmelser om avfallsdeponering av elektriske og elektroniske produkter. Riktig avfallshåndtering bidrar til å forhindre negative konsekvenser for helse og miljø.

Oppbevaring

- 1 Tøm vannbeholderen før du oppbevarer apparatet (fig. 24).
- 2 Kontroller at alle delene er rene og tørre før du setter apparatet til oppbevaring (se avsnittet Rengjøring og vedlikehold).
- 3 Oppbevar apparatet med knivenheten i kannen for å forhindre skade.
- 4 Ikke plasser lokket på kannen, og la lokket på påfyllingsåpningen stå åpent for å forhindre bakterievekst.

Garanti og støtte

Hvis du trenger kundestøtte eller informasjon, kan du gå til www.philips.com/support eller lese i garantiheftet.

Tekniske spesifikasjoner

- Spenning/wattforbruk: se typeskiltet under apparatet.
- Maksimal kapasitet på vannbeholderen: 200 ml.
- Maksimal kapasitet på kannen, væsker: 450 ml.
- Beskyttelse: temperaturkontrollert oppvarmingssystem og sikkerhetslås.

Feilsøking

Dette avsnittet gir en oppsummering av de vanligste problemene som kan oppstå med apparatet. Hvis du ikke kan løse problemet ved hjelp av informasjonen nedenfor, kan du gå til www.philips.com/support for å se en liste over vanlige spørsmål, eller du kan kontakte forbrukerstøtten i landet der du bor.

Problem	Mulig årsak	Løsning
Apparatet virker ikke.	Apparatet har en innebygd sikkerhetslås. Hvis delene ikke er riktig montert på motorenheten, fungerer ikke apparatet.	Sett sammen alle delene riktig. Se avsnittet Bruke apparatet.
Damplampen tennes ikke.	Apparatet er ikke koblet til strømmettet. Kannen er ikke satt riktig på motorenheten.	Sett støpselet inn i stikkontakten. Sett kannen riktig på motorenheten.
	Du vil starte den andre dampingen like etter at den første er avsluttet.	Slå av apparatet, og la det avkjøles i noen minutter før du begynner den andre dampingen.
Ingrediensene er ikke varmet opp ordentlig.	Bitene i kannen er for store, det er for mye mat i kannen, eller du har ikke dampet maten lenge nok.	Del maten i mindre biter (2–3 cm), reduser mengden med mat i kannen, eller velg en lengre dampetid (maksimum 20 minutter). Se i oppskriftsheftet eller på tabellen i avsnittet Ingredienser og damptider for å kontrollere at du har valgt riktig dampetid for ingrediensene du ønsker å dampe eller oppskriften du ønsker å lage.
Apparatet damper ikke.	Du har ikke hatt i vann i apparatet. Du har ikke plassert kannen riktig på motorenheten.	Slå av apparatet, og ha i riktig mengde vann i apparatet. Plasser kannen på apparatet i riktig posisjon (se under Damping i avsnittet Bruke apparatet).
Dampingen tar for lang tid, eller dampfunksjonen fungerer ikke i det hele tatt.	Det er for mye kalk i vannbeholderen.	Avkalk vannbeholderen. Se under Avkalking i avsnittet Rengjøring og vedlikehold.
Det kommer damp ut av påfyllingsåpningen.	Lokket på påfyllingsåpningen er ikke lukket ordentlig.	Lukk lokket på påfyllingsåpningen (du skal høre et klikk).
	Dampåpningen på motorenheten er blokkert av mat eller kalkbelegg.	Rengjør dampåpningen med en spiss gjenstand uten å skade forseglingen, og følg avkalkingsinstruksjonene i fremtiden. Se under Avkalking i avsnittet Rengjøring og vedlikehold.
	Damphullet i lokket er blokkert.	Ta av ventilen, og rengjør damphullet i lokket grundig.

Problem	Mulig årsak	Løsning
Damplampen lyser igjen når dampprosessen er ferdig. Når det har gått litt tid, lager apparatet en summelyd igjen.	Du har utilsiktet latt kannen stå på sokkelen i mer enn ti minutter før du slo av apparatet.	Slå av apparatet innen ti minutter etter at dampprosessen er ferdig, og bland maten eller fjern den fra kannen.
Knivenheten eller motorenheten er blokkert.	Det er for mye mat i kannen.	Slå av apparatet og tilbered en mindre mengde. Ikke fyll kannen til over toppen av den grønne knivenheten.
Motorenheten gir fra seg en ubehagelig lukt de første gangene den er i bruk.	Dette er normalt.	Hvis apparatet fortsetter å avgi denne lukten etter at du har brukt det noen ganger, må du kontrollere om mengden og tiden du bruker til tilberedning, er riktig. Se avsnittet Ingredienser og damptider.
Apparatet fortsetter å lukte vondt etter at jeg har brukt det noen ganger.	Du har hatt for mye mat i kannen, eller du har latt apparatet gå for lenge.	Bearbeid mindre mengder, og ikke la apparatet gå i mer enn 30 sekunder om gangen.
Apparatet bråker mye, avgir en ubehagelig lukt, føles varmt ved berøring, avgir røyk e.l.	Det er for mye mat i kannen.	Slå av apparatet og tilbered en mindre mengde.
	Du lar apparatet kjøre for lenge uten avbrudd.	Ikke la apparatet gå i mer enn 30 sekunder om gangen.
Lokket på kannen lekker.	Du har ikke satt lokket ordentlig på kannen.	Sett lokket ordentlig på kannen. Se avsnittet Bruke apparatet.
	Det er for mye mat i kannen.	Slå av apparatet og tilbered en mindre mengde.
Det er hvite flekker i påfyllingsåpningen og/eller i kannen, silen og lokket.	Det er kalkavleiringer på disse delene.	Dette er normalt. Fjern kalk regelmessig. Se under Avkalking i avsnittet Rengjøring og vedlikehold.
Apparatet lager mye støy når det mikser.	Silen er ikke festet til lokket på kannen.	Kontroller at silen er festet til lokket på kannen.

Problem	Mulig årsak	Løsning
Vannet har en uvanlig farge når du heller det ut av vannbeholderen eller når det kommer inn i kannen under damping, eller vannet i vannbeholderen har en ubehagelig lukt.	Matpartikler har kommet inn i vannbeholderen under bruk.	Rengjør vannbeholderen i henhold til instruksjonene under Rengjøre vannbeholderen i avsnittet Rengjøring og vedlikehold. Bare bruk apparatet i henhold til instruksjonene. Kontroller at du ikke fyller for mye vann i vannbeholderen (maksimum 200 ml), og at du ikke fyller for mye mat i kannen (ikke fyll kannen til over toppen på den grønne knivenheten). Ikke damp de samme ingrediensene i mer enn 20 minutter, og ikke hell vann til damping rett i kannen. Kontroller også at ventilen er festet til lokket.
Det lukter grillet eller brent mat fra vannbeholderen.	Matpartikler har kommet inn i vannbeholderen under bruk, og har festet seg til varmeelementet.	Rengjør vannbeholderen i henhold til instruksjonene under Rengjøre vannbeholderen i avsnittet Rengjøring og vedlikehold. Bare bruk apparatet i henhold til instruksjonene. Kontroller at du ikke fyller for mye vann i vannbeholderen (maksimum 200 ml), og at du ikke fyller for mye mat i kannen (ikke fyll kannen til over toppen på den grønne knivenheten). Ikke damp de samme ingrediensene i mer enn 20 minutter, og ikke hell vann til damping rett i kannen. Kontroller også at ventilen er festet til lokket.
Det er mørke flekker i babymaten, eller vannet i kannen har en uvanlig farge.	Matpartikler har kommet inn i vannbeholderen under bruk, og har festet seg til varmeelementet. Rester fra disse matpartiklene har kommet inn i kannen under damping.	Rengjør vannbeholderen i henhold til instruksjonene under Rengjøre vannbeholderen i avsnittet Rengjøring og vedlikehold. Bare bruk apparatet i henhold til instruksjonene. Kontroller at du ikke fyller for mye vann i vannbeholderen (maksimum 200 ml), og at du ikke fyller for mye mat i kannen (ikke fyll kannen til over toppen på den grønne knivenheten). Ikke damp de samme ingrediensene i mer enn 20 minutter, og ikke hell vann til damping rett i kannen. Kontroller også at ventilen er festet til lokket.

Introdução

Parabéns pela sua compra e bem-vindo à Philips Avent! Para usufruir de todas as vantagens da assistência da Philips Avent, registe o seu produto em www.philips.com/welcome.

A combinação de cozer a vapor e liquidificar é particularmente adequada para preparar pequenas quantidades de comida para bebé. Apoia os pais na preparação de refeições frescas para os seus bebés, graças às funções de cozer a vapor e passar, combinadas num só aparelho.

Descrição geral (fig. 1)

- 1 Tampa com orifício de vapor
- 2 Coador
- 3 Lâminas
- 4 Jarro com suporte para lâmina
- 5 Abertura de enchimento do depósito da água
- 6 Saída de vapor no motor
- 7 Área de bloqueio para pega
- 8 Motor
- 9 Luz de vapor
- 10 Botão de controlo
- 11 Válvula
- 12 Espátula
- 13 Copo medidor
- 14 Base do aparelho com cabo de alimentação

Importante

Leia cuidadosamente este manual do utilizador antes de utilizar o aparelho e guarde-o para consultas futuras.

Perigo

- Nunca mergulhe o motor em água ou noutro líquido, nem o enxagúe em água corrente.

Aviso

- Verifique se a voltagem indicada no aparelho corresponde à voltagem eléctrica local antes de o ligar.
- Não utilize o aparelho se a ficha, o fio de alimentação ou o próprio aparelho estiverem danificados.
- Se o fio estiver danificado, deve ser sempre substituído pela Philips, por um centro de assistência autorizado da Philips ou por pessoal devidamente qualificado para se evitarem situações de perigo.
- Este aparelho pode ser utilizado por pessoas com capacidades físicas, sensoriais ou mentais reduzidas, ou com falta de experiência e conhecimento, caso sejam supervisionadas ou lhes tenham sido dadas instruções relativas à utilização segura do aparelho e se compreenderem os perigos envolvidos.
- Este aparelho não pode ser utilizado por crianças. Mantenha o aparelho e o seu cabo fora do alcance de crianças.

- As crianças não podem brincar com o aparelho.
- Não toque nos rebordos das lâminas se a ficha do aparelho estiver ligada e durante a limpeza. Os rebordos são muito afiados.
- Se a lâmina ficar encravada, desligue o aparelho da tomada antes de retirar os ingredientes que bloquearam a lâmina.
- O aparelho aquece bastante durante a cozedura a vapor e pode causar queimaduras se lhe tocar. Segure no jarro apenas pela pega.
- Tenha cuidado com o vapor quente que sai do jarro durante a vaporização e quando retirar a tampa.
- Tenha cuidado com o vapor quente que sai da abertura de enchimento do depósito da água quando abrir a tampa.
- Quando o processo de vaporização terminar, continua a sair vapor quente da saída de vapor do motor e do orifício de vapor da tampa do jarro durante algum tempo. Tenha cuidado quando retirar o jarro do motor.
- Se o aparelho for utilizado de forma inapropriada, pode ser libertado vapor quente através da abertura para enchimento. Consulte o capítulo “Resolução de problemas” para evitar ou resolver este problema.
- Nunca deixe o aparelho a funcionar sem vigilância.
- Não desmonte o motor para manutenção ou limpeza. Leve-o a um centro de assistência Philips autorizado para reparação.

Cuidado

- Nunca utilize quaisquer acessórios ou peças de outros fabricantes ou que a Philips não tenha especificamente recomendado. Se utilizar tais acessórios ou peças, a garantia será considerada inválida.
- Não coloque o aparelho em cima ou perto de um fogão ou panela em funcionamento ou ainda quente.
- Antes de limpar o aparelho, desligue-o sempre da corrente e deixe arrefecer.
- Nunca utilize o jarro nem qualquer outra parte do aparelho num microondas, pois as peças de metal da pega do jarro e da lâmina não são adequadas para este fim.
- Nunca esterilize o jarro nem qualquer outra parte do aparelho num esterilizador ou num microondas, pois as peças de metal da pega do jarro e da lâmina não são adequadas para este fim.
- Este aparelho destina-se apenas a utilização doméstica. Se for utilizado incorrectamente ou para fins profissionais ou semi-profissionais, ou se for utilizado de uma forma que não esteja nas instruções de utilização no manual do utilizador, a garantia é considerada inválida e a Philips recusa qualquer responsabilidade pelos danos causados.

- Tenha cuidado ao verter líquidos quentes para o copo, pois os líquidos quentes e o vapor podem ser expelidos e causar queimaduras.
- Deixe o aparelho arrefecer durante 10 minutos antes de cozer a vapor outra porção de ingredientes.
- O aparelho não se destina a picar ingredientes duros, como cubos de gelo ou açúcar.
- Não permita que o aparelho passe durante mais de 30 segundos de cada vez. Se não tiver terminado após 30 segundos, desligue o aparelho e aguarde alguns segundos antes de continuar. Se o aparelho aquecer, permita que arrefeça durante alguns minutos.
- Coloque o aparelho numa superfície estável, horizontal e plana. Assegure-se de que há espaço livre suficiente à volta do aparelho para evitar danos, por exemplo, em armários ou outros objectos, pois o aparelho emite vapor quente durante a utilização.
- Não utilize o aparelho caso este tenha caído ou esteja de alguma forma danificado. Leve-o a um centro de assistência Philips autorizado para reparação.
- Nunca coloque água, outros líquidos ou alimentos liquidificados no jarro de vaporização para evitar danos no aparelho.
- Nunca utilize a função de vaporização sem água.
- Assegure-se de que não enche demasiado o depósito da água (máx. 200 ml). Não exceda o nível máximo indicado no copo medidor.
- Quando cozinhar ingredientes a vapor, assegure-se de que não enche demasiado o jarro. Assegure-se de que a extremidade superior da lâmina verde não está coberta com comida (fig. 2).
- Quando misturar líquidos, não exceda o nível máximo indicado no jarro (450 ml).
- Não insira quaisquer objectos na abertura de enchimento ou na saída de vapor.
- Nunca volte a encher o depósito da água durante o processo de vaporização, pois podem sair água e vapor quentes do aparelho.
- Assegure-se sempre de que a tampa arrefeceu após a vaporização, antes de a abrir se necessitar adicionar mais ingredientes para passar.
- Não ligue o aparelho a um dispositivo de comutação externo, tal como um temporizador e não o ligue a um circuito que seja regularmente ligado e desligado. Isto evita um perigo que poderia ser provocado pela reposição inadvertida do corte térmico.
- Verifique sempre a temperatura da comida de bebé nas costas da mão antes de alimentar o seu bebé.
- Verifique sempre a consistência da comida de bebé. Assegure-se de que não há pedaços de comida.

- Quando terminar o processo de vaporização (máx. 20 minutos), não volte a cozinhar a vapor ou a aquecer a comida de bebé.
- Utilize apenas a espátula fornecida para retirar os alimentos do jarro.
- A descalcificação regular evita danos no aparelho.
- Desligue o aparelho e desconecte-o da alimentação antes de mudar os acessórios ou alcançar peças que se movem durante a utilização.
- Tenha cuidado ao manusear as lâminas afiadas quando esvaziar o copo e durante a limpeza.
- Desligue sempre o dispositivo da alimentação quando deixado sem supervisão.
- A limpeza e a manutenção do utilizador não podem ser efectuadas por crianças.

Sistema de segurança

O aparelho está equipado com bloqueio de segurança. O aparelho só funciona se tiver montado correctamente todas as peças do motor. Se todas as peças tiverem sido montadas correctamente, o fecho de segurança incorporado desbloqueia-se.

O aparelho também está equipado com protecção contra sobreaquecimento. O sobreaquecimento pode ocorrer se o tempo entre dois processos de vaporização for demasiado curto, se a função para passar for utilizada durante muito tempo ou se houver muitos ingredientes no jarro. Se a protecção contra sobreaquecimento desligar o aparelho durante a sua utilização, regule o botão de controlo para 0 e deixe o aparelho arrefecer durante alguns minutos. Depois, pode voltar a utilizar o aparelho.

Campos electromagnéticos (CEM)

Este aparelho Philips cumpre todas as normas e regulamentos aplicáveis relativos à exposição a campos electromagnéticos.

1 Retire todos os materiais da embalagem do aparelho.

2 Limpe todas as peças, excepto o motor (consulte o capítulo “Limpeza e manutenção”).

Utilizar o aparelho

Verifique sempre a temperatura da comida de bebé nas costas da mão antes de alimentar o seu bebé.

Assegure-se sempre de que a tampa arrefeceu após a cozedura a vapor antes de a remover, se necessitar de adicionar mais ingredientes para liquidificar. Não exceda o nível máximo indicado no jarro.

Esvazie o depósito da água antes de o encher novamente para começar um novo processo de vaporização.

Quando começar a cozer a vapor, assegure-se de que a extremidade superior da lâmina verde não está coberta por alimentos.

Não exceda o nível máximo indicado no jarro (450 ml) quando misturar líquidos.

Este aparelho destina-se a cozer ingredientes sólidos frescos a vapor e a liquidificá-los para obter comida de bebé. Consulte o folheto de receitas para alguns exemplos. Normalmente, primeiro coze os ingredientes a vapor e, depois, liquidifica-os. No entanto, também pode utilizar o aparelho apenas para cozer a vapor ou liquidificar alimentos. Se utilizar o aparelho apenas para liquidificar alimentos, ignore as secções “Encher o depósito da água” e “Cozer a vapor” e siga as instruções na secção “Liquidificação”. Nunca coza a vapor comida já liquidificada. Nunca coza a vapor os mesmos ingredientes durante mais do que 20 minutos, nem mais do que uma vez.

Este aparelho NÃO se destina a:

- Descongelar comida
- Cozinhar alimentos congelados a vapor
- Cozinhar a vapor comida já passada
- Cozinhar a vapor os mesmos ingredientes durante mais de 20 minutos
- Cozinhar arroz e massas
- Passar ingredientes e depois cozinhá-los a vapor
- Aquecer líquidos, por exemplo sopa ou água
- Manter a comida quente durante várias horas
- Voltar a aquecer comida

Encher o depósito de água

1 Encha o copo medidor com água até ao nível indicado (fig. 3).

O copo medidor apresenta os mililitros e o tempo de vaporização correspondente em minutos. Consulte o folheto de receitas (em separado) para saber as quantidades recomendadas.

Nota: Não exceda o nível máximo indicado no copo medidor (200 ml) para ter a certeza de que não enche demasiado o depósito da água.

Nota: Recomendamos que não utilize água mineral, pois os minerais desta água provocam a formação de calcário no depósito da água.

2 Deite a água na abertura de enchimento e feche a tampa (fig. 4).

Nota: Nunca ponha outra coisa que não seja água no depósito da água.

Cozer vapor

Certas frutas e legumes, quando gentilmente cozinhados a vapor, são perfeitos para os bebés que começam a comer alimentos sólidos. Cozinhar a vapor é a forma mais saudável de preparar alimentos, uma vez que estes retêm muitas vitaminas e outros nutrientes saudáveis.

Nota: Pode encontrar receitas e os tempos de confecção necessários para as mesmas no folheto (separado). Repare que as receitas estão relacionadas com a idade da criança.

Nota: Não cozinhe a vapor ingredientes congelados porque o aparelho não consegue aquecer comida congelada à temperatura necessária para cozinhar a vapor. Descongele sempre os ingredientes sólidos congelados antes de os cozinhar a vapor neste aparelho. Sacuda qualquer água em excesso dos ingredientes descongelados antes de os colocar no jarro.

1 Posicione a lâmina no respectivo suporte dentro do jarro (fig. 5).

2 Corte os ingredientes sólidos em pedaços pequenos (cubos inferiores a 2-3 cm) antes de os colocar no jarro.

Nota: Não processe grandes quantidade de ingredientes sólidos ao mesmo tempo. Processe tais ingredientes em pequenos lotes.

3 Coloque os ingredientes dentro do copo (fig. 6).

Nota: Não exceda a extremidade superior da lâmina verde.

Nota: Nunca ponha água nem qualquer outro líquido no jarro para vaporização, de modo a evitar danos no aparelho.

4 Coloque a válvula na tampa (fig. 7).

Nota: Assegure-se de que a válvula está devidamente presa.

5 Coloque o crivo na tampa do jarro (“clique”) (fig. 8).

6 Coloque a tampa no jarro e gire-a para a direita para a fixar. As saliências pequenas na tampa têm de encaixar nas ranhuras do jarro. Assegure-se de que a saliência grande da tampa está colocada exactamente sobre a pega do jarro (fig. 9).

7 Coloque o jarro ao contrário no motor; ou seja, com a tampa voltada para baixo. Certifique-se de que a pega se encontra do lado direito e que esta está encaixada correctamente (fig. 10).

Nota: O aparelho não inicia a cozedura a vapor se o jarro e a pega não estiverem na posição correcta.

8 Rode o botão de controlo para a posição de vaporização.

- A luz de vapor acende a cor-de-laranja, indicando que o aparelho está a gerar vapor (fig. 11).

A água e o vapor quentes podem queimar os seus dedos. Não toque, nem permita que as crianças toquem em zonas quentes e vapor, pois podem causar queimaduras (fig. 12).

- O tempo de cozedura a vapor depende da quantidade de água que colocar no depósito da água. Consulte a tabela no capítulo “Ingredientes e tempos de cozedura” e o folheto de receitas.
- Quando o processo de vaporização terminar, o aparelho produz um sinal sonoro e a luz de vapor apaga-se.

9 Ponha o botão de controlo na posição de desligado. Espere 2 minutos até a saída de vapor não libertar mais vapor, para não se queimar com o vapor quente. (fig. 13)

Nota: Se pretender cozinhar a vapor outro lote de ingredientes, deixe o aparelho arrefecer durante 10 minutos antes de começar a cozinhar a vapor novamente.

10 Se pretender continuar a passar alimentos cozinhados a vapor; siga as instruções na secção “Passar depois de cozinhar a vapor” em baixo.

11 Em condições normais, depois de cozinhar a vapor não fica água nenhuma no depósito da água. No entanto, em algumas situações (por exemplo, nos casos de acumulação de calcário dentro do depósito da água, interrupção do processo de cozedura a vapor ou utilização inadequada), pode ficar alguma água no depósito da água. Nesse caso, depois da utilização, esvazie o depósito da água por completo para evitar o desenvolvimento de bactérias. Para retirar o calcário do depósito da água, consulte o capítulo “Limpeza e manutenção”.

Passar depois de cozinhar a vapor

1 Segure na pega do jarro e levante-o do motor. Vire o jarro ao contrário, para que os alimentos caiam sobre a lâmina (fig. 14).

Toque apenas na pega do jarro. A tampa, base e superfície exterior do jarro estão quentes (fig. 15).

2 Se necessário, remova a tampa e adicione os restantes ingredientes para passar (por exemplo, água ou óleo).

Assegure-se sempre de que a tampa do jarro e a tampa do depósito de água arrefeceram após cozer a vapor, antes de abrir as tampas para adicionar mais ingredientes ao jarro ou para retirar a água restante do depósito da água.

Depois de colocar líquidos no jarro, nunca o ponha na posição de vaporização.

3 Coloque o jarro voltado para cima no motor; ou seja, com a tampa para cima. Certifique-se de que a pega está no lado direito e posicionada entre as duas saliências da área de bloqueio (fig. 16).

4 Gire o botão de controlo para a posição para passar. Segure o botão nesta posição até a comida estar bem passada (fig. 17).

Não permita que o aparelho passe durante mais de 30 segundos de cada vez. Se não tiver terminado após 30 segundos, desligue o aparelho e aguarde alguns segundos antes de continuar. Se o aparelho aquecer, permita que arrefeça durante alguns minutos.

Nota: Se os ingredientes ficarem colados à parede do jarro, desligue o aparelho e solte-os com a espátula ou adicione algum líquido.

Nota: Assegure-se de que os alimentos para bebé passados têm a consistência correcta (por exemplo, sem grumos) antes de servi-la.

Nota: Caso a comida de bebé ainda esteja demasiado sólida, adicione algum líquido (como água) até que fique macia e suave.

5 Quando terminar de passar, basta libertar o botão de controlo (fig. 18).

- Este regressa automaticamente à posição desligado.

6 Desligue o aparelho da corrente.

7 Retire a lâmina. Tenha cuidado ao retirar a lâmina, pois pode estar quente. Retire os alimentos liquidificados do copo. Se necessário, utilize a espátula fornecida com este aparelho.

Assegure-se de que os alimentos estão a uma temperatura adequada para o seu bebé.

8 Em condições normais, depois de cozinhar a vapor não fica água nenhuma no depósito da água. No entanto, em algumas situações (por exemplo, nos casos de acumulação de calcário dentro do depósito da água, interrupção do processo de cozedura a vapor ou utilização inadequada), pode ficar alguma água no depósito da água. Nesse caso, depois da utilização, esvazie o depósito da água por completo para evitar o desenvolvimento de bactérias. Para retirar o calcário do depósito da água, consulte o capítulo “Limpeza e manutenção”.

Passar sem cozinhar a vapor

O aparelho destina-se a:

- fazer puré de alimentos vaporizados e cozinhados para comida de bebé
- misturar líquidos e frutas para bebidas de bebé

O aparelho não se destina a picar ingredientes duros, como cubos de gelo ou açúcar.

Depois de colocar líquidos no jarro, nunca o ponha na posição de vaporização.

Nota: Quando misturar líquidos, assegure-se de que não enche o jarro além do nível máximo indicado no mesmo.

Nota: Nunca cozinhe alimentos a vapor depois de os ter passado.

1 Posicione a lâmina no respectivo suporte dentro do jarro (fig. 5).

2 Corte os ingredientes sólidos em pedaços pequenos (cubos inferiores a 2-3 cm) antes de os colocar no jarro.

Sugestão: Não processe grandes quantidade de ingredientes sólidos ao mesmo tempo. Processe tais ingredientes em pequenos lotes.

3 Coloque os ingredientes dentro do copo. (fig. 6)

Nota: Não exceda a extremidade superior da lâmina verde.

4 Coloque a válvula na tampa (fig. 7).

Nota: Assegure-se de que a válvula está devidamente presa.

5 Coloque o crivo na tampa do jarro (“clique”) (fig. 8).

6 Coloque a tampa no jarro e gire-a para a direita para a fixar. As saliências pequenas na tampa têm de encaixar nas ranhuras do jarro. Assegure-se de que a saliência grande da tampa está colocada exactamente sobre a pega do jarro. (fig. 9)

7 Coloque o jarro voltado para cima no motor, ou seja, com a tampa para cima. Certifique-se de que a pega está no lado direito e posicionada entre as duas saliências da área de bloqueio (fig. 16).

8 Rode o botão de controlo para a posição para passar. Mantenha o botão nesta posição durante o tempo o que necessitar, mas não mais de 30 segundos (fig. 17).

Nota: Se os ingredientes ficarem colados à parede do jarro, desligue o aparelho e solte-os com a espátula ou acrescente algum líquido. Não exceda o nível máximo indicado no jarro.

Nota: Assegure-se de que os alimentos para bebé passados têm a consistência correcta (por exemplo, sem grumos) antes de servi-la.

Nota: Se a comida de bebé ainda estiver demasiado sólida, acrescente algum líquido (por exemplo, água) até ficar macia e suave. Não exceda o nível máximo indicado no jarro.

Nota: Nunca cozinhe alimentos a vapor depois de os ter passado.

Não permita que o aparelho passe durante mais de 30 segundos de cada vez. Se não tiver terminado após 30 segundos, desligue o aparelho e aguarde alguns segundos antes de continuar. Se o motor aquecer, deixe-o arrefecer durante alguns minutos.

9 Quando terminar de passar, basta libertar o botão de controlo. (fig. 18)

- Este regressa automaticamente à posição desligado.

10 Desligue o aparelho da corrente.

11 Retire a lâmina. Tenha cuidado ao retirar a lâmina, pois pode estar quente. Retire os alimentos liquidificados do copo. Se necessário, utilize a espátula fornecida com este aparelho.

Assegure-se de que os alimentos estão a uma temperatura adequada para o seu bebé.

Ingredientes e tempos de cozedura

Tipo de alimento	Ingrediente	Tempo de cozedura aproximado*
Fruta	Maçã	5 min.
	Laranjas	10 min.
	Pêssego	10 min.
	Pêra	5 min.
	Ananás	15 min.
	Ameixa	10 min.
Vegetais	Espargos	10 min.
	Brócolos	20 min.
	Cenoura	15 min.
	Couve-flor	15 min.
	Aipo	15 min.
	Courgette	15 min.
	Funcho	15 min.
Feijão-verde	20 min.	

Tipo de alimento	Ingrediente	Tempo de cozedura aproximado*
	Alho francês	15 min.
	Cebola	15 min.
	Ervilhas	20 min.
	Pimenta	15 min.
	Batata	20 min.
	Abóbora	15 min.
	Espinafres	15 min.
	Nabo	15 min.
	Batata doce	15 min.
	Tomate	15 min.
Carne	Frango, carne de vaca, de cordeiro, de porco, etc.	20 min.
Peixe	Salmão, solha, bacalhau, truta, etc.	15 min.

* Todos os alimentos devem ser cortados em cubos pequenos, inferiores a 2-3 cm.

Nota: O copo medidor apresenta os mililitros e o tempo de vaporização correspondente em minutos (50 ml = 5 min., 100 ml = 10 min., 150 ml = 15 min., 200 ml = 20 min.).

Limpeza e manutenção

Limpe o aparelho após cada utilização.

Nunca mergulhe o motor em água.

Nunca utilize lixívia ou soluções/pastilhas esterilizantes químicas no aparelho.

Nunca utilize esfregões, agentes de limpeza abrasivos ou líquidos agressivos, tais como petróleo, acetona ou álcool, para limpar o aparelho.

- 1** Desligue o aparelho e remova o jarro do motor (fig. 19).
- 2** Retire a tampa do jarro e vire-a ao contrário (fig. 20).
- 3** Retire o coador e a válvula da tampa. (fig. 21)
- 4** Lave a válvula em água quente com um pouco de detergente da louça e enxagúe em água corrente.
- 5** Retire a lâmina do jarro (fig. 22).
- 6** Limpe cuidadosamente a lâmina debaixo da torneira, logo após a utilização. Certifique-se de que também passa por água o interior do tubo da lâmina (fig. 23).

Manuseie a lâmina com muito cuidado. Os rebordos são muito afiados.

Nota: Se desejar limpar a lâmina mais a fundo, pode colocá-la na máquina depois de a passar por água.

110 PORTUGUÊS

- 7** As outras peças que entram em contacto com os alimentos devem ser sempre lavadas com água quente e um pouco de detergente líquido logo após cada utilização.

Nota: Todas as peças, excepto o motor, podem ser lavadas na máquina de lavar a loiça.

- 8** Se necessário, limpe o motor com um pano húmido.
- 9** Verifique se há alguma partícula de comida no depósito da água. Pode fazê-lo examinando a abertura de enchimento para ver se há alguma partícula de comida ou verificando se a água tem uma cor estranha e se o depósito da água tem um cheiro desagradável ou a queimado. Nesse caso, limpe o depósito da água (consulte a secção “Limpar o depósito da água”, neste capítulo).

- 10** Deixe a tampa da abertura de enchimento aberta para evitar o desenvolvimento de bactérias.

Descalcificar o depósito da água

Se as partículas de comida se introduzirem no depósito da água, podem ficar coladas à resistência deste durante os processos seguintes de cozedura a vapor. Estas partículas não podem ser removidas somente enxaguando o depósito da água.

Para além disso, tem de descalcificar o aparelho a cada quatro semanas para garantir que continua a ser 100% eficaz. A utilização de água pré-fervida ou filtrada ajuda a reduzir a formação de calcário no aparelho. Para eliminar partículas de comida no interior do depósito da água e descalcificar o aparelho, siga as instruções para descalcificação indicadas abaixo.

- 1** Certifique-se de que o aparelho está desligado.
- 2** Adicione 50 ml de vinagre branco (8% de ácido acético) a 150 ml de água.

Nota: Também pode usar anticalcários à base de ácido cítrico. Não utilize outros tipos de anticalcários.

- 3** Encha o depósito da água com a solução de vinagre (ou ácido cítrico) e água.
- 4** Feche a tampa da abertura de enchimento.
- 5** Coloque o jarro vazio (sem qualquer comida dentro), completamente montado com a lâmina e a tampa, sobre o motor na posição de vaporização (ou seja, com a tampa virada para baixo).
- 6** Rode o botão de controlo para a posição de vaporização.
- A luz de vapor acende a cor-de-laranja, indicando que o aparelho está a gerar vapor.
- 7** Desligue o aparelho após 5-6 minutos de vaporização e retire a ficha da tomada.
- 8** Despeje a solução de vinagre branco (8% de ácido acético) e água do depósito da água (fig. 24).
- 9** Enxagúe bem o depósito da água e o jarro com água limpa várias vezes.
- 10** Antes de voltar a utilizar o aparelho com alimentos, encha o depósito com 200 ml de água e efectue um processo de vaporização de 20 minutos com o jarro vazio.
- 11** Deixe a tampa da abertura de enchimento aberta para evitar o desenvolvimento de bactérias.

Reciclagem

- Este símbolo significa que este produto não deve ser eliminado juntamente com os resíduos domésticos comuns (2012/19/UE) (fig. 25).
- Siga a legislação nacional relativamente à recolha selectiva de produtos eléctricos e electrónicos. A eliminação correcta ajuda a evitar consequências prejudiciais para o meio ambiente e para a saúde pública.

Arrumação

- 1 Esvazie o depósito de água antes de guardar o aparelho (fig. 24).
- 2 Certifique-se de que todas as peças estão limpas e secas antes de arrumar o aparelho (consulte o capítulo “Limpeza e manutenção”).
- 3 Arrume o aparelho com a lâmina dentro do jarro, a fim de evitar danos.
- 4 Não coloque a tampa no jarro e deixe a tampa da abertura de enchimento aberta para evitar o desenvolvimento de bactérias.

Garantia e assistência

Se precisar de informações ou assistência, visite www.philips.com/support ou leia o folheto da garantia mundial em separado.

Especificações técnicas

- Voltagem/potência: verifique a placa na base do aparelho.
- Capacidade máxima do depósito de água: 200 ml.
- Capacidade máxima do jarro, líquidos: 450 ml.
- Protecção: sistema de aquecimento controlado por temperatura e bloqueio de segurança.

Resolução de problemas

Este capítulo resume os problemas mais comuns que podem surgir no aparelho. Se não conseguir resolver o problema com as informações fornecidas a seguir, visite www.philips.com/support para consultar uma lista de perguntas frequentes ou contacte o Centro de Apoio ao Cliente no seu país.

Problema	Possível causa	Solução
O aparelho não funciona.	O aparelho está equipado com um bloqueio de segurança. Se as peças não tiverem sido devidamente montadas no motor, o aparelho não funciona.	Monte todas as peças correctamente. Consulte o capítulo “Utilizar o aparelho”.
A luz de vapor não acende.	O aparelho não está ligado à corrente.	Ligue a ficha à tomada eléctrica.
	O jarro não está devidamente colocado no motor.	Coloque o jarro correctamente no motor.
	Está a tentar iniciar um segundo processo de vaporização logo após o primeiro ter terminado.	Desligue o aparelho e deixe-o arrefecer durante alguns minutos, antes de iniciar um segundo processo de cozedura a vapor.

Problema	Possível causa	Solução
Os ingredientes não aquecem devidamente.	Os pedaços de comida no jarro são demasiado grandes, tem demasiados alimentos ou não cozinhou os alimentos o tempo suficiente.	Corte os ingredientes em pedaços mais pequenos (2-3 cm), diminua a quantidade de comida no jarro ou seleccione um tempo de cozedura a vapor mais longo (máx. 20 minutos). Verifique o folheto de receitas e/ou a tabela no capítulo "Ingredientes e tempos de cozedura" para se assegurar de que selecciona o tempo de cozedura adequado para os ingredientes que pretende cozinhar a vapor ou para a receita que pretende preparar.
O aparelho não gera vapor:	Não colocou água no aparelho.	Desligue o aparelho e coloque a quantidade de água adequada.
	Não colocou o jarro no motor na posição correcta.	Coloque o jarro no aparelho na posição correcta (consulte a secção "Cozinhar a vapor" no capítulo "Utilizar o aparelho").
A vaporização demora demasiado tempo ou a função simplesmente não funciona.	O depósito de água tem demasiado calcário.	Descalcifique o depósito da água. Consulte a secção "Descalcificação" no capítulo "Limpeza e manutenção".
É libertado vapor a partir abertura de enchimento.	A tampa da abertura de enchimento não está correctamente fechada.	Feche a tampa da abertura de enchimento correctamente (ouve-se um estalido).
	A saída de vapor no motor está bloqueada por comida ou calcário.	Limpe a saída de vapor com um objecto pontiagudo sem danificar o vedante e, de futuro, siga as instruções de descalfificação. Consulte a secção "Descalcificação" no capítulo "Limpeza e manutenção".
A luz de vapor acende-se novamente depois do processo de vaporização ter terminado. Depois de algum tempo o aparelho volta a produzir um sinal sonoro.	O orifício de vapor na tampa está bloqueado.	Retire a válvula e limpe o orifício de vapor na tampa de forma adequada.
	Deixou acidentalmente o jarro na base durante mais de 10 minutos sem desligar o aparelho.	Desligue o aparelho no período de 10 minutos depois do processo de vaporização terminar e, em seguida, liquidifique os alimentos ou remova-os do jarro.

Problema	Possível causa	Solução
A lâmina ou o motor estão bloqueados.	Colocou demasiados alimentos no jarro.	Desligue o aparelho e processe uma quantidade menor: Não encha o jarro acima da extremidade superior da lâmina verde.
O motor liberta um cheiro desagradável nas primeiras utilizações.	É normal.	Se o aparelho continuar a libertar este cheiro após algumas utilizações, verifique se a quantidade e o tempo de preparação estão correctos. Consulte o capítulo "Ingredientes e tempos de cozedura".
O aparelho continua a libertar este cheiro após algumas utilizações.	Colocou demasiados alimentos no jarro ou passou os alimentos durante demasiado tempo.	Prepare quantidades menores e não permita que o aparelho passe durante mais de 30 segundos de cada vez.
O aparelho faz muito barulho, liberta um cheiro desagradável, fica quente por fora, liberta fumo, etc.	Colocou demasiados alimentos no jarro.	Desligue o aparelho e prepare uma quantidade mais pequena.
	Deixou o aparelho a funcionar durante demasiado tempo sem interrupção.	Não deixe que o aparelho passe durante mais de 30 segundos de cada vez.
A tampa do jarro pinga.	Não colocou a tampa no jarro de forma correcta.	Coloque a tampa de forma correcta no jarro. Consulte o capítulo "Utilizar o aparelho".
	Colocou demasiados alimentos no jarro.	Desligue o aparelho e prepare uma quantidade mais pequena.
Há manchas brancas na abertura de enchimento e/ou no jarro, crivo e tampa.	Formou-se calcário nessas peças.	É normal. Remova o calcário periodicamente. Consulte a secção "Descalcificação" no capítulo "Limpeza e manutenção".
O aparelho faz muito barulho quando está a passar.	O crivo não está fixo à tampa do jarro.	Assegure-se de que o crivo está fixo à tampa do jarro.

Problema	Possível causa	Solução
A água no depósito da água tem uma cor estranha quando o esvazia ou quando entra no jarro durante a vaporização, ou a água no depósito da água tem um cheiro desagradável.	Entraram partículas de comida no depósito da água durante a utilização.	Limpe o depósito da água de acordo com as instruções da secção "Limpar o depósito da água" no capítulo "Limpeza e manutenção". Utilize o aparelho estritamente de acordo com as instruções. Assegure-se de que não enche o depósito da água com demasiada água (máx. 200 ml) e de que não enche o jarro com demasiada comida (não encha o jarro acima da extremidade superior da lâmina verde). Não cozinhe os mesmos ingredientes a vapor durante mais de 20 minutos e não ponha água para vaporização directamente no jarro. Assegure-se ainda de que a válvula está fixa à tampa.
Sai um cheiro de comida grelhada ou queimada do depósito da água	Entraram partículas de comida no depósito da água durante a utilização e solidificaram sobre a resistência.	Limpe o depósito da água de acordo com as instruções da secção "Limpar o depósito da água" no capítulo "Limpeza e manutenção". Utilize o aparelho estritamente de acordo com as instruções. Assegure-se de que não enche o depósito da água com demasiada água (máx. 200 ml) e de que não enche o jarro com demasiada comida (não encha o jarro acima da extremidade superior da lâmina verde). Não cozinhe os mesmos ingredientes a vapor durante mais de 20 minutos e não ponha água para vaporização directamente no jarro. Assegure-se ainda de que a válvula está fixa à tampa.
Há pontos escuros na comida ou a água no jarro tem uma cor estranha.	Entraram partículas de comida no depósito da água durante a utilização e solidificaram sobre a resistência. Isto faz com que os resíduos dessas partículas de comida entrem no jarro durante a vaporização.	Limpe o depósito da água de acordo com as instruções da secção "Limpar o depósito da água" no capítulo "Limpeza e manutenção". Utilize o aparelho estritamente de acordo com as instruções. Assegure-se de que não enche o depósito da água com demasiada água (máx. 200 ml) e de que não enche o jarro com demasiada comida (não encha o jarro acima da extremidade superior da lâmina verde). Não cozinhe os mesmos ingredientes a vapor durante mais de 20 minutos e não ponha água para vaporização directamente no jarro. Assegure-se ainda de que a válvula está fixa à tampa.

ข้อมูลเบื้องต้น

ขอแสดงความยินดีที่คุณสั่งซื้อ และยินดีต้อนรับสู่ Philips Avent! เพื่อรับสิทธิประโยชน์อย่างเต็มที่จากการสนับสนุนของ Philips Avent โปรดลงทะเบียนผลิตภัณฑ์ของคุณที่ www.philips.com/welcome เครื่องนึ่งและเครื่องปั่นที่ผสมกันเป็นหนึ่งเดียวนี้เหมาะอย่างยิ่งสำหรับการเตรียมอาหารในปริมาณไม่มากให้เด็กเล็ก เครื่องนึ่งและเครื่องปั่นที่ผสมกันอย่างลงตัวนี้ช่วยให้คุณพ่อคุณแม่เตรียมอาหารสดใหม่ให้กับลูกน้อยได้อย่างง่ายดาย ด้วยฟังก์ชันการนึ่งและการปั่นที่รวมอยู่ในเครื่องเดียว

คำอธิบายทั่วไป (รูปที่ 1)

- 1 ฝาปิดพร้อมรูไอน้ำ
- 2 ตะแกรงร่อน
- 3 ชุดใบมีด
- 4 โถพร้อมตัวยึดชุดใบมีด
- 5 ช่องสำหรับเติมน้ำในแท่งค้ำน้ำ
- 6 ช่องระบายไอน้ำบนแท่นมอเตอร์
- 7 ที่ล็อกสำหรับด้ามจับ
- 8 แท่นมอเตอร์
- 9 ไฟแสดงการนึ่ง
- 10 ปุ่มควบคุมการทำงาน
- 11 วาล์ว
- 12 ไม้พาย
- 13 ถ้วยตวง
- 14 ด้านล่างเครื่องพร้อมสายไฟ

ข้อสำคัญ

ควรอ่านคู่มืออย่างละเอียดก่อนใช้งานและเก็บไว้เพื่อใช้อ้างอิงในครั้งต่อไป

อันตราย

- ห้ามจุ่มแท่นมอเตอร์ลงในน้ำหรือของเหลวใดๆ หรือเปิดน้ำก๊อกไหลผ่านแท่นมอเตอร์

คำเตือน

- ก่อนใช้งานโปรดตรวจสอบแรงดันไฟฟ้าที่ระบบผลิตภัณฑ์ว่าตรงกับแรงดันไฟฟ้าที่ใช้ภายในบ้านหรือไม่
- ห้ามใช้ผลิตภัณฑ์นี้ หากปลั๊กไฟ สายไฟ หรือตัวเครื่องเกิดการชำรุด
- ในกรณีที่สายไฟเกิดชำรุดเสียหาย คุณต้องนำไปเปลี่ยนที่ Philips ศูนย์บริการที่ได้รับอนุญาตจาก Philips หรือบุคคลที่ผ่านการอบรมเพื่อหลีกเลี่ยงอันตรายที่อาจเกิดขึ้น

- ผู้ที่มีสภาพร่างกายไม่สมบูรณ์ ประสาทสัมผัสไม่สมบูรณ์หรือสภาพจิตใจไม่ปกติ หรือขาดประสบการณ์และความรู้ความเข้าใจ สามารถใช้เครื่องนี้ได้ หากอยู่ในการควบคุมดูแลหรือได้รับคำแนะนำในการใช้งานที่ปลอดภัยและเข้าใจถึงอันตรายที่เกี่ยวข้องในการใช้งาน
- ห้ามไม่ให้เด็กใช้เครื่องนี้ เก็บเครื่องและสายไฟให้พ้นมือเด็ก
- ห้ามเด็กเล่นเครื่อง
- ห้ามสัมผัสคมมีดของชุดใบมีดเมื่อเสียบปลั๊กแล้วและระหว่างการทำความสะอาด สะอาด คมมีดมีความคมมาก
- หากชุดใบมีดเกิดติดขัด ควรถอดปลั๊กไฟออกก่อนเขี่ยอาหารที่ติดใบมีดออก
- เครื่องจะมีความร้อนสูงมากขณะการนึ่ง จึงอาจทำให้เกิดบาดแผลไหม้ได้หากสัมผัส ให้ยกโถที่ด้ามจับเท่านั้น
- โปรดระวังไอร้อนที่ออกมาจากโถระหว่างการนึ่งและเมื่อเปิดฝาโถออก
- โปรดระวังไอร้อนที่ออกมาจากช่องเติมน้ำของแท่งค้ำน้ำเมื่อเปิดฝาดูออก
- เมื่อเสร็จสิ้นขั้นตอนการนึ่ง ไอร้อนจะยังคงพุ่งออกมาช่องระบายไอน้ำบนหม้อมอเตอร์และรูไอน้ำบนฝาโถสักพักหนึ่ง โปรดระมัดระวังขณะยกโถขึ้นจากแท่นมอเตอร์
- หากใช้งานผิดวิธี อาจมีไอร้อนพุ่งออกมาจากช่องเติมน้ำ โปรดดูที่บท 'วิธีแก้ปัญหา' เพื่อหลีกเลี่ยงหรือแก้ไขปัญหาดังกล่าว
- ห้ามปล่อยให้เครื่องทำงานโดยไม่มี การควบคุมดูแลเป็นอันตราย
- อย่าถอดชิ้นส่วนแท่นมอเตอร์ออกมาซ่อมแซมหรือทำความสะอาด โปรดนำเครื่องไปที่ศูนย์บริการ Philips ที่ได้รับอนุญาตเพื่อซ่อมแซม

ข้อควรระวัง

- ห้ามใช้อุปกรณ์เสริมหรือชิ้นส่วนใดๆ ที่ผลิตจากผู้ผลิตอื่นหรือที่ไม่ได้รับการแนะนำจาก Philips หากคุณใช้อุปกรณ์เสริมหรือชิ้นส่วนจากผู้ผลิตอื่นหรือที่ไม่ได้รับการแนะนำจาก Philips การรับประกันของคุณจะไม่มีผลบังคับใช้
- อย่าวางเครื่องบริเวณเตาหรืออุปกรณ์ทำอาหารที่ยังทำงานหรือร้อนอยู่
- ถอดปลั๊กไฟออกทุกครั้งหลังเลิกใช้งาน แล้วปล่อยให้เย็นลงก่อนทำความสะอาด
- ห้ามใส่โถหรือชิ้นส่วนใดๆ ของเครื่องเข้าไปในไมโครเวฟ เนื่องจากด้ามจับโถและชุดใบมีดที่เป็นโลหะไม่เหมาะสำหรับการใช้งานลักษณะนี้
- ห้ามฆ่าเชื้อโถหรือชิ้นส่วนใดๆ ของเครื่องด้วยเครื่องฆ่าเชื้อหรือเตาไมโครเวฟ เนื่องจากด้ามจับโถและชุดใบมีดที่เป็นโลหะไม่เหมาะสำหรับการใช้งานลักษณะนี้

- เครื่องใช้ไฟฟ้านี้เหมาะสำหรับการใช้งานในครัวเรือนเท่านั้น หากนำเครื่องไปใช้ในทางไม่เหมาะสม นำไปใช้ในการค้าหรือกิจการค้า หรือใช้โดยไม่ปฏิบัติตามคำแนะนำการใช้งานในคู่มือนี้ การรับประกันจะถือเป็นโมฆะและ Philips จะไม่รับผิดชอบต่อความเสียหายใดๆ ทั้งสิ้น
- โปรดใช้ความระมัดระวังขณะเทของเหลวร้อนลงในโถปั่น เนื่องจากของเหลวร้อนและไอน้ำอาจลวกผิวหนังได้
- รอให้เครื่องเย็นลงประมาณ 10 นาทีก่อนรับประทานอาหารชุดถัดไป
- เครื่องใช้ไฟฟ้านี้ ไม่ได้ออกแบบมาเพื่อถอดปลั๊กตัวตูดิบเนื้อแข็ง เช่น น้ำแข็งก้อน และน้ำตาลก้อน
- อย่าให้เครื่องทำการปั่นนานเกิน 30 วินาทีในแต่ละครั้ง หากผ่านไป 30 วินาทีแล้วการปั่นยังไม่เสร็จสิ้น โปรดปิดเครื่อง แล้วรอประมาณ 2-3 วินาทีก่อนดำเนินการต่อ หากเครื่องร้อน โปรดรอประมาณ 2-3 นาทีเพื่อให้เครื่องเย็นลงก่อนดำเนินการต่อ
- วางเครื่องบนพื้นราบที่มั่นคงและมีพื้นผิวเสมอกัน ตรวจสอบให้แน่ใจว่ามีพื้นที่โดยรอบเครื่องอย่างเพียงพอ เพื่อป้องกันไม่ให้ท่อตู้หรือวัตถุอื่นๆ เกิดความเสียหายเนื่องจากเครื่องจะปล่อยความร้อนออกมาขณะทำงาน
- อย่าใช้เครื่องถ้าเคยทำตก หรือเครื่องเสียหาย โปรดนำเครื่องไปที่ศูนย์บริการ Philips ที่ได้รับอนุญาตเพื่อซ่อมแซม
- ห้ามใส่ น้ำ ของเหลวอื่นๆ หรืออาหารที่ปั่นแล้วลงในโถสำหรับการปั่น เพื่อหลีกเลี่ยงความเสียหายที่อาจเกิดกับเครื่อง
- ห้ามรับประทานอาหาร โดยไม่มีน้ำ
- ตรวจสอบให้แน่ใจว่าคุณไม่ได้เติมน้ำในแท็งก์น้ำมากเกินไป (สูงสุด 200 มล.) อย่าใส่อาหารเกินระดับสูงสุดที่กำหนดไว้บนถ้วยตวง
- เมื่อนำอาหาร โปรดตรวจสอบให้แน่ใจว่าคุณไม่ได้ใส่อาหารในโถมากเกินไป ตรวจสอบให้แน่ใจว่าอาหารยังไม่เกินขอบด้านบนของชุดใบมีดสี่เหลี่ยม (รูปที่ 2)
- เมื่อบั่นของเหลว ระวังอย่าให้มีปริมาณเกินระดับสูงสุดที่ระบุไว้บนโถ (450 มล.)
- อย่าใส่วัตถุใดๆ ลงในช่องเติมน้ำหรือช่องระบายไอน้ำ
- ห้ามเติมน้ำลงในแท็งก์น้ำระหว่างรับประทานอาหาร เนื่องจากอาจทำให้น้ำร้อนและไอน้ำพุ่งออกมาจากเครื่องได้
- ตรวจสอบให้แน่ใจทุกครั้งว่าฝาได้เย็นลงแล้วก่อนจะเปิดฝาเพื่อเติมส่วนผสมสำหรับปั่น หากจำเป็น

- อย่าเชื่อมต่อเครื่องกับอุปกรณ์แบบมีสวิตช์เปิดปิดภายนอก เช่น นาฬิกาจับเวลา และอย่าเชื่อมต่อกับวงจรไฟฟ้าที่มีการเปิดปิดสวิตช์อยู่เป็นประจำ ทั้งนี้เพื่อหลีกเลี่ยงอันตรายที่อาจเกิดขึ้นจากการรีเซ็ตระบบตัดไฟโดยไม่ได้ตั้งใจ
- ตรวจสอบอุณหภูมิอาหารสำหรับเด็กด้วยหลังมือของคุณทุกครั้งก่อนนำไปป้อน
- ตรวจสอบความละเอียดของอาหารสำหรับเด็กทุกครั้ง ตรวจสอบให้แน่ใจว่าไม่มีก้อนอาหารหลงเหลืออยู่แล้ว
- เมื่อเสร็จสิ้นขั้นตอนการนึ่งแล้ว (นานสูงสุด 20 นาที) อย่าเพิ่งนึ่งหรืออุ่นอาหารสำหรับเด็กอีกครั้ง
- ใช้เฉพาะไม้พายที่ให้มาตัดอาหารออกจากโถ
- การทำความสะอาดตระกรันอย่างสม่ำเสมอจะช่วยป้องกันไม่ให้เกิดความเสียหายต่อตัวเครื่อง
- ปิดเครื่องและถอดปลั๊กออกจากแหล่งจ่ายไฟก่อนทำการเปลี่ยนอุปกรณ์เสริมหรือเข้าไปใกล้ชิ้นส่วนที่หมุนขณะใช้งาน
- โปรดระมัดระวังเมื่อหยิบจับใบมีดแหลมคมขณะทำความสะอาดโถ
- ถอดอุปกรณ์ออกจากแหล่งจ่ายไฟทุกครั้งหากไม่มีการควบคุมดูแล
- ห้ามไม่ให้เด็กทำความสะอาดและดูแลรักษาเครื่อง

ระบบความปลอดภัย

เครื่องนี้มาพร้อมกับระบบล็อกภายในตัว เครื่องจะทำงานต่อเมื่อคุณประกอบทุกชิ้นส่วนเข้ากับแท่นมอเตอร์เรียบร้อยแล้ว หากประกอบอุปกรณ์ชิ้นใดถูกต้องแล้ว ระบบล็อกนิรภัยภายในเครื่องจะปลดล็อกเครื่องใช้ไฟฟ้านี้มาพร้อมกับระบบป้องกันความร้อนสูง ความร้อนที่สูงเกินไปอาจเกิดขึ้นได้หากระยะห่างระหว่างขั้นตอนการนึ่ง 2 รอบสั้นเกินไป หากใช้ระยะเวลาการป้อนนานเกินไป หรือหากมีวัตถุติดอยู่ในโถมากเกินไป หากระบบป้องกันความร้อนสูงตัดไฟของเครื่องไฟฟ้าขณะการใช้งาน โปรดหมุนปุ่มควบคุมไปที่เลข 0 แล้วรอให้เครื่องเย็นลงสักพักหนึ่ง หลังจากนั้นจึงจะสามารถใช้งานเครื่องได้อีกครั้ง

คลื่นแม่เหล็ก ไฟฟ้า (EMF)

ผลิตภัณฑ์ของ Philips นี้เป็นไปตามมาตรฐานและกฎข้อบังคับด้านคลื่นแม่เหล็กไฟฟ้าที่มีทุกประการ

ก่อนใช้งานครั้งแรก

- 1 แกะวัสดุหีบห่อทั้งหมดออกจากเครื่อง
- 2 ทำความสะอาดทุกชิ้นส่วน ยกเว้นแท่นมอเตอร์ (โปรดดูที่บท 'การทำมาความสะอาดและการบำรุงรักษา')

การใช้งาน

ตรวจสอบอุณหภูมิอาหารสำหรับเด็กด้วยหลังมือของคุณทุกครั้งก่อนนำไปป้อน

ตรวจสอบให้แน่ใจทุกครั้งว่าฝาได้เย็นลงแล้วก่อนจะถอดออกเพื่อเติมน้ำนมสำหรับการป้อน หาก

จำเป็น อย่าใส่ขวดบิดเกินระดับสูงสุดที่แสดงบนโถ

เทน้ำออกจากแท่งค้ำน้ำให้หมดก่อนเติมทุกครั้งเพื่อเริ่มขั้นตอนการนึ่งใหม่

ตรวจสอบให้แน่ใจทุกครั้งว่าอาหารยังไม่เกินขอบด้านบนของชุดโบริดดูสตีเวียเมื่อคุณเริ่มนึ่งอาหาร

อย่าใส่ขวดบิดเกินระดับสูงสุดที่แสดงบนโถ (450 มล.) เมื่อป้อนของเหลว

เครื่องใช้ไฟฟ้านี้ออกแบบมาเพื่อนึ่งขวดบิดเนื้อแข็ง แล้วนำไปป้อน เพื่อทำอาหารสำหรับเด็ก โปรดดูตัวอย่างในตำรา

อาหาร โดยปกติคุณต้องนึ่งขวดบิดก่อนแล้วจึงป้อน อย่างไรก็ตาม คุณสามารถใช้งานเครื่องใช้ไฟฟ้านี้เพื่อนึ่งหรือป้อน

เพียงอย่างเดียวได้ หากคุณใช้งานป้อนอย่างเดียว โปรดข้ามหัวข้อ 'การเติมน้ำลงในแท่งค้ำ' และ 'การนึ่ง' ไป แล้วปฏิบัติตาม

ตามคำแนะนำในหัวข้อ 'การป้อน' หลังการป้อน ห้ามนึ่งอาหารที่ผ่านการป้อน ห้ามนึ่งขวดบิดชุดเดียวกันนานกว่า 20 นาที

หรือมากกว่าหนึ่งครั้ง

เครื่องนี้ไม่ได้ออกแบบมาสำหรับ:

- ละลายอาหารแช่แข็ง
- นึ่งอาหารแช่แข็ง
- นึ่งอาหารที่ผ่านการป้อน
- นึ่งขวดบิดชุดเดียวกันเป็นเวลานานกว่า 20 นาที
- การหุงข้าวและพาสต้า
- ป้อนขวดบิดก่อนแล้วนำไปนึ่ง
- อุณหภูมิของเหลวต่างๆ เช่น ชุปหรือน้ำ
- การรักษาอาหารให้อุ่นเป็นเวลาหลายชั่วโมง
- อุณหภูมิอาหาร

การเติมน้ำลงในแท่งค้ำ

1 เติมน้ำในถ้วยตวงจนถึงระดับที่กำหนด (รูปที่ 3)

บนถ้วยตวงจะมีมาตรวัดมิลลิเมตรและหน่วยนาทีซึ่งเป็นระยะเวลาการนึ่ง โปรดดูในตำราอาหารอีกเล่มสำหรับ

ปริมาณที่แนะนำของสูตรอาหาร

หมายเหตุ: อย่าใส่ขวดบิดเกินระดับสูงสุดที่แสดงบนถ้วยตวง (200 มล.) เพื่อให้แน่ใจว่าคุณไม่สามารถ

เติมน้ำลงไปนึ่งในแท่งค้ำได้อีก

หมายเหตุ: เราไม่แนะนำให้คุณใช้น้ำแร่ เนื่องจากแร่ธาตุในน้ำชนิดนี้ทำให้เกิดคราบตะกอนในแท่งค้ำ

น้ำ

2 เทน้ำลงไปที่ช่องเติมแล้วปิดฝา (รูปที่ 4)

หมายเหตุ: ห้ามใส่สิ่งของใดๆ ที่ไม่ใช่ น้ำลงในแท่งค้ำน้ำ

การนึ่งอาหาร

หากผักและผลไม้บางชนิดถูกนึ่งจนเนื้อนุ่มแล้ว ก็จะกลายเป็นอาหารที่เหมาะสมอย่างยิ่งสำหรับเด็กที่กำลังเริ่มทานอาหารเนื้อแข็ง การนึ่งคือการเตรียมอาหารที่ส่งผลดีต่อสุขภาพมากที่สุด เนื่องจากอาหารจะยังคงหลงเหลือวิตามินและแร่ธาตุต่างๆ ที่มีประโยชน์ต่อร่างกาย

หมายเหตุ: คุณสามารถค้นหาสูตรอาหารรวมถึงระยะเวลาการทำอาหารที่กำหนดได้ในตำราอาหารอีกเล่ม โปรดทราบว่าสูตรอาหารสัมพันธ์กับอายุของเด็ก

หมายเหตุ: อย่างนึ่งวัตถุดิบแช่แข็ง เนื่องจากอุณหภูมิสำหรับการนึ่งที่กำหนดไว้ไม่สามารถละลายอาหารแช่แข็งได้ ละลายวัตถุดิบเนื้อแข็งที่แช่แข็งทุกครั้งก่อนจะนำมานึ่งในเครื่อง สลัดน้ำจากวัตถุดิบแช่แข็งที่ละลายแล้วก่อนจะนำมาใส่ในโถ

1 ใส่ชุดใบมีดที่ตัวยึดชุดใบมีดในโถ (รูปที่ 5)

2 หั่นวัตถุดิบเนื้อแข็งเป็นชิ้นเล็กๆ (ทรงสี่เหลี่ยมไม่เกิน 2-3 ซม.) ก่อนจะนำมาใส่ในโถ

หมายเหตุ: อย่างนึ่งวัตถุดิบเนื้อแข็งปริมาณมากด้วยกันทั้งหมด แต่ให้แบ่งวัตถุดิบเหล่านั้นเป็นชุดเล็กๆ แทน

3 ใส่วัตถุดิบลงไปในโถ (รูปที่ 6)

หมายเหตุ: อย่าใส่วัตถุดิบเกินขอบด้านบนของชุดใบมีดสีเขียว

หมายเหตุ: ห้ามใส่น้ำหรือของเหลวอื่นๆ ลงไปในโถนึ่ง เพื่อหลีกเลี่ยงความเสียหายที่อาจเกิดขึ้นกับเครื่อง

4 กดวาล์วลงไปที่ฝา (รูปที่ 7)

หมายเหตุ: ตรวจสอบให้แน่ใจว่าวาล์วเข้าที่แล้ว

5 วางตะแกรงร้อนบนฝาโถ (เสียงดัง 'คลิก') (รูปที่ 8)

6 ปิดฝาโถแล้วหมุนตามเข็มนาฬิกาเพื่อให้เข้าที่ ส่วนเล็กๆ ที่ยื่นออกมาบนฝาดึงสอดให้ลงไปที่ร่องในโถ ตรวจสอบให้แน่ใจว่าชิ้นส่วนขนาดใหญ่ที่ยื่นออกมาบนฝานั้นอยู่ในตำแหน่งเหนือด้ามจับโถพอดี (รูปที่ 9)

7 วางโถคว่ำลงบนแท่นมอเตอร์ โดยให้ส่วนฝาดคว่ำลงไป ตรวจสอบให้แน่ใจว่าด้ามจับอยู่ที่ด้านขวามือและติดตั้งอย่างถูกต้อง (รูปที่ 10)

หมายเหตุ: เครื่องจะไม่เริ่มนึ่ง หากโถป็นและด้ามจับไม่อยู่ในตำแหน่งที่ถูกต้อง

8 หมุนปุ่มควบคุมไปยังตำแหน่งการนึ่ง

• ไฟแสดงการนึ่งจะสว่างขึ้นเป็นสีส้มเพื่อแสดงว่าเครื่องกำลังทำการนึ่ง (รูปที่ 11)

ไอร้อนหรือน้ำร้อนอาจลวกนิ้วมือได้ อย่าสัมผัสหรือปล่อยให้เด็กสัมผัสส่วนที่ร้อนและไอน้ำ เนื่องจากอาจเกิดแผลลวกได้ (รูปที่ 12)

• ระยะเวลาการนึ่งขึ้นอยู่กับปริมาณน้ำที่คุณใส่ลงไปในถังคั้นน้ำ ดูตารางเวลาได้ที่บท 'ระยะเวลาการนึ่งและวัตถุดิบ' และที่ตำราอาหาร

• เมื่อเสร็จสิ้นขั้นตอนการนึ่ง เครื่องจะส่งเสียงเตือน ส่วนไฟแสดงการนึ่งจะดับลง

9 หมุนปุ่มควบคุมไปที่ตำแหน่งปิด รอ 2 นาทีจนกว่าช่องระบายไอน้ำไม่มีไอน้ำพุ่งออกมาแล้ว เพื่อป้องกันไอน้ำลวก (รูปที่ 13)

หมายเหตุ: หากต้องการนั่งวัตถุบิอีกชุดหนึ่ง โปรดรอ 10 นาทีเพื่อให้เครื่องเย็นลงก่อนจะเริ่มทำการนั่งใหม่อีกครั้ง

10 หากต้องการป้อนอาหารที่ผ่านการนั่งแล้ว โปรดปฏิบัติตามคำแนะนำในหัวข้อ 'การป้อนหลังจากนั่ง' ด้านล่าง

11 ในสภาวะปกติจะไม่มีย่าน้ำหลงเหลืออยู่ในแท่งค้ำน้ำหลังการนั่ง แต่ ในบางกรณี (เช่น กรณีที่มีคราบตะกรันสะสมภายในแท่งค้ำน้ำ เกิดอาการติดขัดขณะการนั่ง หรือใช้งานผิดวิธี) แท่งค้ำน้ำอาจหลงเหลือน้ำอยู่บางส่วน หากเกิดกรณีนี้ โปรดเทน้ำทั้งหมดในแท่งค้ำน้ำออกหลังการใช้งาน เพื่อป้องกันเชื้อแบคทีเรียเติบโต สำหรับการขจัดคราบตะกรันในแท่งค้ำน้ำ โปรดดูที่บท 'การทำความสะอาดและการบำรุงรักษา'

การป้อนหลังจากนั่ง

1 ถอดด้ามจับโถ แล้วยกโถขึ้นจากแท่นมอเตอร์ หมุนโถไปรอบๆ แล้วเขย่าเพื่อให้อาหารร่วงลงมายังชุดไบเม็ต (รูปที่ 14)

โปรดจับที่ด้ามจับของโถเท่านั้น เนื่องจากฝา ก้น และพื้นผิวด้านนอกของโถจะร้อน (รูปที่ 15)

2 หากจำเป็น โปรดถอดฝาออกแล้วเพิ่มวัตถุดิบสำหรับการป้อนเข้าไป (เช่น น้ำหรือน้ำมัน) ตรวจสอบให้แน่ใจทุกครั้งหลังการนั่งว่าฝาโถและฝาแท่งค้ำน้ำเย็นตัวแล้ว ก่อนจะเปิดฝาเพื่อเพิ่มวัตถุดิบลงไป โถหรือแท่งค้ำน้ำที่เหลือน้ำออกจากแท่งค้ำน้ำ

หลังใส่ของเหลวลงโถแล้ว ห้ามวางโถในตำแหน่งการนั่งเด็ดขาด

3 วางโถตั้งขึ้นบนแท่นมอเตอร์ โดยให้ส่วนฝาอยู่ด้านบน ตรวจสอบให้แน่ใจว่าด้ามจับอยู่ที่ด้านขวามือและอยู่ระหว่างร่องทั้งสองของตัวล็อก (รูปที่ 16)

4 หมุนปุ่มควบคุมไปยังตำแหน่งการป้อน ค้างปุ่มไว้ ในตำแหน่งนี้จนกว่าอาหารจะปั่นจนละเอียดแล้ว (รูปที่ 17)

อย่าให้เครื่องทำการป้อนนานเกิน 30 วินาทีในแต่ละครั้ง หากผ่านไป 30 วินาทีแล้วการป้อนยังไม่เสร็จสิ้น โปรดปิดเครื่อง แล้วรอประมาณ 2-3 วินาทีก่อนดำเนินการต่อ

หากเครื่องร้อน โปรดรอประมาณ 2-3 นาทีเพื่อให้เครื่องเย็นลงก่อนดำเนินการต่อ

หมายเหตุ: หากมีวัตถุดิบติดอยู่ที่โถ โปรดปิดเครื่องแล้วใช้ไม้พายปาดออกหรือเติมของเหลวลงไป

หมายเหตุ: ตรวจสอบให้แน่ใจว่าอาหารสำหรับเด็กปั่นจนละเอียดดีแล้ว (เช่น ไม่มีก้อนอาหารหลงเหลือ) ก่อนนำไปให้ทาน

หมายเหตุ: หากอาหารสำหรับเด็กยังแข็งเกินไป โปรดเติมของเหลว (เช่น น้ำ) จนกว่าอาหารจะอ่อนตัวและนุ่ม

5 เมื่อเสร็จสิ้นการป้อน โปรดปล่อยปุ่มควบคุมให้เป็นตามปกติ (รูปที่ 18)

- ปุ่มควบคุมจะกลับมาอยู่ที่ตำแหน่งปิดโดยอัตโนมัติ

6 ถอดปลั๊กเครื่อง

7 ถอดชุดไบเม็ต โปรดระมัดระวังขณะถอดชุดไบเม็ตเนื่องจากอาจยังหลงเหลือความร้อนอยู่ นำอาหารที่ปั่นออกจากโถ หากจำเป็น ให้ใช้ไม้พายที่มาพร้อมกับเครื่องนี้

ตรวจสอบให้แน่ใจว่าอาหารสำหรับเด็กอยู่ในอุณหภูมิที่ปลอดภัยต่อเด็ก

8 ในสภาวะปกติจะไม่มือน้ำหลงเหลืออยู่ในแท็งค์น้ำหลังการนึ่ง แต่ในบางกรณี (เช่น กรณีที่มีคราบตะกรันสะสมภายในแท็งค์น้ำ เกิดอาการติดขัดขณะการนึ่ง หรือใช้งานผิดวิธี) แท็งค์น้ำอาจหลงเหลือน้ำอยู่บางส่วน หากเกิดกรณีนี้ โปรดเทน้ำทั้งหมดในแท็งค์น้ำออกหลังการใช้งาน เพื่อป้องกันเชื้อแบคทีเรียเติบโต สำหรับการขจัดคราบตะกรันในแท็งค์น้ำ โปรดดูที่บท 'การทำความสะอาดและการบำรุงรักษา'

การป้อนโดยไม่นึ่ง

เครื่องใช้ไฟฟ้านี้ออกแบบมาเพื่อ:

- บดเคล้าวัตถุดิบที่ผ่านการนึ่งและปรุงสุกแล้วเพื่อทำอาหารสำหรับเด็ก
- ผลมของเหลวและผลไม้ต่างๆ เพื่อทำเครื่องดื่มสำหรับเด็ก

เครื่องใช้ไฟฟ้านี้ไม่ได้ออกแบบมาเพื่อบดสับวัตถุดิบเนื้อแข็ง เช่น น้ำแข็งก้อนและน้ำตาลก้อน

หลังจากใส่ของเหลวลงโถแล้ว ห้ามวางโถในตำแหน่งการนึ่งเด็ดขาด

หมายเหตุ: เมื่อป้อนของเหลว โปรดตรวจสอบให้แน่ใจว่ามีปริมาณไม่เกินระดับสูงสุดที่แสดงบนโถ

หมายเหตุ: ห้ามนึ่งอาหารสำหรับเด็กหากอาหารผ่านการป้อนมาแล้ว

1 ใส่ชุดใบมีดที่ด้วยชุดใบมีดในโถ (รูปที่ 5)

2 หั่นวัตถุดิบเนื้อแข็งเป็นชิ้นเล็กๆ (ทรงสี่เหลี่ยมไม่เกิน 2-3 ซม.) ก่อนจะนำมาใส่ในโถ

เคล็ดลับ: ไม่ควรป้อนวัตถุดิบเนื้อแข็งปริมาณมากด้วยกันทั้งหมด แต่ให้แบ่งวัตถุดิบเหล่านั้นเป็นชุดเล็กๆ แทน

3 ใส่วัตถุดิบลงไปโถ (รูปที่ 6)

หมายเหตุ: อย่าใส่วัตถุดิบเกินขอบด้านบนของชุดใบมีดสีเขียว

4 กดวาล์วลงไปโถ (รูปที่ 7)

หมายเหตุ: ตรวจสอบให้แน่ใจว่าวาล์วเข้าที่แล้ว

5 วางตะแกรงร้อนบนฝาโถ (เสียงดัง 'คลิก') (รูปที่ 8)

6 ปิดฝาโถแล้วหมุนตามเข็มนาฬิกาเพื่อให้เข้าที่ ส่วนเล็กๆ ที่ยื่นออกมาบนฝาดึงสอดให้ลงไปที่ร่องในโถ ตรวจสอบให้แน่ใจว่าชิ้นส่วนขนาดใหญ่ที่ยื่นออกมาบนฝานั้นอยู่ในตำแหน่งเหนือด้ามจับโถพอดี (รูปที่ 9)

7 วางโถตั้งขึ้นบนแท่นมอเตอร์ โดยให้ส่วนฝาดูด้านบน ตรวจสอบให้แน่ใจว่าด้ามจับอยู่ที่ด้านขวามือและอยู่ระหว่างร่องทั้งสองของตัวล็อก (รูปที่ 16).

8 หมุนปุ่มควบคุมไปยังตำแหน่งการป้อน ค้างปุ่มหมุนไว้ที่ตำแหน่งดังกล่าวเท่าที่คุณต้องการ แต่อย่าเกิน 30 วินาที (รูปที่ 17)

หมายเหตุ: หากมีวัตถุดิบติดอยู่ที่โถ โปรดปิดเครื่องแล้วใช้ไม้พายปาดออกหรือเติมของเหลวลงไป

อย่าใส่วัตถุดิบเกินระดับสูงสุดที่แสดงบนโถ

หมายเหตุ: ตรวจสอบให้แน่ใจว่าอาหารสำหรับเด็กป้อนจนเนื้อละเอียดดีแล้ว (เช่น ไม่มีก้อนอาหารหลงเหลือ) ก่อนนำไปให้ทาน

หมายเหตุ: หากอาหารสำหรับเด็กยังแข็งเกินไป โปรดเติมของเหลว (เช่น น้ำ) จนกว่าอาหารจะอ่อนตัวและนุ่ม อย่าใส่วัตถุดิบเกินระดับสูงสุดที่แสดงบนโถ

หมายเหตุ: ห้ามรับประทานอาหารสำหรับเด็กหากอาหารผ่านการปั่นมาแล้ว

อย่าให้เครื่องทำการปั่นนานเกิน 30 วินาทีในแต่ละครั้ง หากผ่านไป 30 วินาทีแล้วการปั่นยังไม่เสร็จ
สิ้น โปรดปิดเครื่อง แล้วรอประมาณ 2-3 นาทีที่ก่อนดำเนินการต่อ

หากแทนมอเตอร์ร่อน โปรดรอประมาณ 2-3 นาทีเพื่อให้เครื่องเย็นลงก่อนดำเนินการต่อ

9 เมื่อเสร็จสิ้นการปั่น โปรดปล่อยปุ่มควบคุมให้เป็นตามปกติ (รูปที่ 18)

- ปุ่มควบคุมจะกลับมาอยู่ที่ตำแหน่งปิดโดยอัตโนมัติ

10 ถอดปลั๊กเครื่อง

11 ถอดชุดใบมีด โปรดระมัดระวังขณะถอดชุดใบมีดเนื่องจากอาจยังหลงเหลือความร้อนอยู่ นำ
อาหารที่ปั่นออกจากโถ หากจำเป็น ให้ใช้ไม้พายที่มาพร้อมกับเครื่องนี้
ตรวจสอบให้แน่ใจว่าอาหารสำหรับเด็กอยู่ในอุณหภูมิที่ปลอดภัยต่อเด็ก

ระยะเวลาการนิ่งและวัตถุดิบ

ประเภทของอาหาร	ประเภทของอาหาร	ระยะเวลาการนิ่งโดย ประมาณ*
ผลไม้	Apple	5 นาที
	ส้ม	10 นาที
	พีช	10 นาที
	ลูกแพร์	5 นาที
	สับปะรด	15 นาที
	สัฟลัม	10 นาที
ผัก	แอสพาราแกัส	10 นาที
	บรอกโคลี	20 นาที
	แครอท	15 นาที
	กะหล่ำดอก	15 นาที
	ต้นขึ้นฉ่าย	15 นาที
	ซูกินี	15 นาที
	ยี่ห่วย	15 นาที
	ถั่วแขก	20 นาที
	ต้นหอม	15 นาที
	หัวหอม	15 นาที
	ถั่ว	20 นาที
	พริกไทย	15 นาที
	มันฝรั่ง	20 นาที
	ฟักทอง	15 นาที
	สปีแนช	15 นาที
หัวสวิต	15 นาที	
มันเทศ	15 นาที	

ประเภทของอาหาร	ประเภทของอาหาร	ระยะเวลาการนั่งโดยประมาณ*
	มะเขือเทศ	15 นาที
เนื้อสัตว์	ไก่ เนื้อวัว เนื้อแกะ หมู ฯลฯ	20 นาที
ปลา	ปลาแซลมอน ปลาลิ้นหมา ปลาดี อด ปลาเทราต์ ฯลฯ	15 นาที

*อาหารทั้งหมดต้องหั่นเป็นทรงสี่เหลี่ยมเล็กๆ ที่ใหญ่ไม่เกิน 2-3 ซม.

หมายเหตุ: บนถ้วยตวงจะมีมาตรวัดมิลลิเมตรและหน่วยนาทีซึ่งเป็นระยะเวลาการนั่ง (50 มล. = 5 นาที, 100 มล. = 10 นาที, 150 มล. = 15 นาที, 200 มล. = 20 นาที)

การทำความสะอาดและดูแลรักษา

ทำความสะอาดเครื่องหลังใช้งานทุกครั้ง

ห้ามจุ่มแท่นมอเตอร์ในน้ำ

ห้ามใช้สารฟอกขาวหรือน้ำยา/ยาเม็ดฆ่าเชื้อที่เป็นสารเคมีกับเครื่อง

ห้ามใช้แผ่นใย น้ำยาที่มีฤทธิ์กัดกร่อน หรือของเหลวที่มีฤทธิ์รุนแรง เช่น น้ำมัน อะซิโตน หรือ

แอลกอฮอล์เพื่อทำความสะอาดเครื่องเป็นอันตราย

- 1** ถอดปลั๊กเครื่องและถอดโถออกจากแท่นมอเตอร์ (รูปที่ 19)
- 2** ถอดฝาโถออกมา แล้วกลับฝาโถให้คว่ำลง (รูปที่ 20)
- 3** ถอดตะแกรงร่อนและวาล์วออกจากฝา (รูปที่ 21)
- 4** ทำความสะอาดวาล์วด้วยน้ำร้อนและน้ำยาทำความสะอาดเล็กน้อย แล้วใช้น้ำก็อกล้าง
- 5** ถอดชุดใบมีดออกจากโถ (รูปที่ 22)
- 6** ทำความสะอาดชุดใบมีดทุกชิ้นด้วยน้ำก็อกทันทีหลังการใช้ ตรวจสอบให้แน่ใจว่าล้างท่อภายในชุดใบมีดแล้ว (รูปที่ 23)

โปรดจับชุดใบมีดด้วยความระมัดระวังอย่างสูง คมมีดมีความคมมาก

หมายเหตุ: หากต้องการทำความสะอาดชุดใบมีดให้ละเอียดยิ่งขึ้น คุณสามารถทำความสะอาดด้วยเครื่องล้างจานได้หลังการชำระล้าง

- 7** ทำความสะอาดชิ้นส่วนอื่นๆ ที่สัมผัสกับอาหารด้วยน้ำร้อนและน้ำยาทำความสะอาดเล็กน้อยทันทีหลังการใช้

หมายเหตุ: ชิ้นส่วนทั้งหมดสามารถทำความสะอาดด้วยเครื่องล้างจานได้ ยกเว้น แท่นมอเตอร์

- 8** หากจำเป็น โปรดใช้ผ้าเปียกหมาดเช็ดทำความสะอาดแท่นมอเตอร์
- 9** ตรวจสอบเศษอาหารที่อาจเข้าไปอยู่ในถังคั้นน้ำ โดยมองเข้าไปในช่องเติมน้ำเพื่อตรวจสอบหาเศษอาหารภายในถังคั้นน้ำ หรือตรวจสอบว่าน้ำมีสีที่ผิดปกติหรือไม่ และดมชองเก็บน้ำว่ามีกลิ่นที่ไม่พึงประสงค์หรือกลิ่นใหม่หรือไม่
หากเกิดกรณีดังกล่าวขึ้น โปรดทำความสะอาดถังคั้นน้ำ (ดูที่หัวข้อ 'การทำความสะอาดถังคั้นน้ำ' ในบทนี้)

- 10** เปิดฝาช่องเติมน้ำทิ้งไว้เพื่อป้องกันแบคทีเรียเติบโต

การขจัดคราบตะกรันในแท่งค้ำน้ำ

หากมีเศษอาหารอยู่ในแท่งค้ำน้ำ เศษอาหารเหล่านั้นอาจเข้าไปติดที่ชิ้นส่วนทำความร้อนในแท่งค้ำน้ำได้ในระหว่างการนี้ครั้งถัดไป แต่การชำระล้างแท่งค้ำน้ำอย่างเดียวยังไม่ทำให้เศษอาหารเหล่านั้นหลุดออกมาได้

นอกจากนี้ คุณยังต้องขจัดคราบตะกรันทุก 4 สัปดาห์เพื่อให้สามารถมั่นใจในประสิทธิภาพการทำงานของเครื่องได้อย่างเต็มที่ การใช้ น้ำกรองหรือน้ำที่ต้มแล้วจึงส่งผลดีต่อเครื่อง เนื่องจากช่วยลดการสะสมของคราบตะกรันสำหรับการกำจัดเศษอาหารและคราบตะกรันภายในแท่งค้ำน้ำ โปรดปฏิบัติตามคำแนะนำในการขจัดคราบตะกรันด้านล่าง

1 ตรวจสอบให้แน่ใจว่าปิดสวิตช์เครื่องแล้ว

2 เติมน้ำส้มสายชูขาว (กรดอะซิติก 8%) 50 มล. ลงในน้ำ 150 มล.

หมายเหตุ: คุณสามารถใช้สารขจัดคราบตะกรันที่มีกรดซัลฟูริกได้ ห้ามใช้สารขจัดคราบตะกรันชนิดอื่น

3 เติมน้ำประกอบนํ้าส้มสายชู (หรือกรดซัลฟูริก) และน้ำลงในช่องเก็บน้ำ

4 ปิดฝาช่องเติมน้ำ

5 วางโถเปล่า (ไม่มีอาหารอยู่ด้านใน) ที่ประกบกับชุดไวมัดและฝาเสริจสมบูร์บนแท่นมอเตอร์ที่ตำแหน่งการนึ่ง (โดยพลิกฝาให้คว่ำลง)

6 หมุนปุ่มควบคุมไปที่ตำแหน่งการนึ่ง

• ไฟแสดงการนึ่งจะสว่างขึ้นเป็นสีส้มเพื่อแสดงว่าเครื่องกำลังทำการนึ่ง

7 ปิดเครื่องหลังผ่านการนึ่งไปประมาณ 5-6 นาที แล้วดึงปลั๊กออก

8 เทสารประกอบนํ้าส้มสายชูขาว (กรดอะซิติก 8%) และน้ำออกจากแท่งค้ำน้ำ (รูปที่ 24)

9 ใช้น้ำสะอาดล้างแท่งค้ำน้ำและโถให้ละเอียดหลายๆ ครั้ง

10 เติมน้ำ 200 มล. ลงในแท่งค้ำน้ำ แล้วรอให้เครื่องดำเนินขั้นตอนการนึ่ง โถเปล่า 20 นาทีจนเสร็จ จากนั้นจึงนำไปทำอาหารได้

11 เปิดฝาช่องเติมน้ำทิ้งไว้เพื่อป้องกันแบคทีเรียเติบโต

การรีไซเคิล

- สัญลักษณ์นี้หมายความว่าผลิตภัณฑ์นี้จะต้องไม่ถูกทิ้งรวมกับขยะจากครัวเรือนทั่วไป (2012/19/EU) (รูปที่ 25)
- ปฏิบัติตามกฎระเบียบของประเทศของคุณสำหรับการแยกเก็บผลิตภัณฑ์ไฟฟ้าและอิเล็กทรอนิกส์ การกำจัดอย่างถูกต้องช่วยป้องกันผลเสียเนื่องทางลบที่อาจเกิดขึ้นกับสิ่งแวดล้อมและสุขภาพของมนุษย์

การจัดเก็บ

1 เทน้ำออกจากแท่งค้ำน้ำก่อนจัดเก็บเครื่อง (รูปที่ 24)

2 ตรวจสอบให้แน่ใจว่าทุกชิ้นส่วนแห้งและสะอาดก่อนนำไปจัดเก็บ (ดูที่บท 'การทำความสะอาดและการบำรุงรักษา')

3 จัดเก็บโดยให้ชุดไวมัดอยู่ภายในโถเพื่อป้องกันความเสียหาย

4 ห้ามวางฝาไวมัดบนโถและห้ามเปิดฝาช่องเติมน้ำทิ้งไว้เพื่อป้องกันแบคทีเรียเติบโต

การรับประกันและสนับสนุน

หากคุณต้องการข้อมูลหรือการสนับสนุน โปรดเข้าชมเว็บไซต์ www.philips.com/support หรืออ่านข้อมูลจากเอกสารแผ่นพับที่แยกเฉพาะ เกี่ยวกับการรับประกันทั่วโลก

ข้อมูลทางเทคนิค

- แรงดันไฟฟ้า/กำลังไฟ: คู่มือระบุข้อมูลผลิตภัณฑ์ที่อยู่ด้านล่างของเครื่อง
- ความจุสูงสุดของแท่งคั้นน้ำ: 200 มล
- ความจุสูงสุดของโถปั่นของเหลว: 450 มล
- การป้องกัน: ระบบทำความร้อนพร้อมควบคุมอุณหภูมิและระบบล็อกนิรภัย

การแก้ปัญหา

บทนี้ ได้รวบรวมปัญหาทั่วไปเกี่ยวกับเครื่องซึ่งคุณอาจพบได้ หากไม่สามารถแก้ปัญหาดังกล่าวด้วยข้อมูลด้านล่างได้ โปรดเข้าไปที่ www.philips.com/support เพื่อดูคำถามที่ถูกลบทิ้งบ่อยหรือติดต่อศูนย์บริการลูกค้าในประเทศของคุณ

ปัญหา	สาเหตุที่เป็นไปได้	การแก้ปัญหา
เครื่องไม่ทำงาน	เครื่องใช้ไฟฟ้านี้มาพร้อมระบบล็อกนิรภัย เครื่องจะไม่ทำงาน หากชิ้นส่วนต่างๆ ประกอบเข้ากับแท่นมอเตอร์ไม่ถูกต้อง	ประกอบทุกชิ้นส่วนอย่างถูกต้อง ดูที่บท 'การใช้งาน'
ไฟแสดงการนิ่งไม่สว่าง	ตัวเครื่องไม่ได้เชื่อมต่อกับสายไฟหลัก โถไม่ได้วางอยู่บนแท่นมอเตอร์อย่างถูกต้อง	เสียบปลั๊กไฟเข้ากับเต้ารับบนผนัง วางโถลงบนแท่นมอเตอร์อย่างถูกต้อง
วัตถุดิบไม่ร้อนทั่วกันทั้งหมด	คุณต้องการเริ่มการนิ่งขึ้นตอนต่อไปทันทีที่เสร็จสิ้นขั้นตอนแรก	ปิดเครื่อง แล้วรอให้เครื่องเย็นลงสักพักหนึ่งก่อนเริ่มการนิ่งขึ้นต่อไป
วัตถุดิบไม่ร้อนทั่วกันทั้งหมด	วัตถุดิบในโถมีขนาดใหญ่เกินไป โถมีอาหารมากเกินไป หรือคุณอาจนึ่งอาหารไม่นานพอ	หันอาหารเป็นชิ้นเล็กๆ (2-3 ซม.) ลดปริมาณอาหารในโถลง หรือเลือกระยะเวลาการนิ่งให้นานขึ้น (สูงสุด 20 นาที) ตรวจสอบตำราอาหารและ/หรือตารางเวลาในบท 'ระยะเวลาการนิ่งและวัตถุดิบ' เพื่อให้แน่ใจว่าคุณเลือกระยะเวลาการนิ่งที่เหมาะสมกับวัตถุดิบหรือสูตรอาหารที่ต้องการ
เครื่องไม่พ่นไอน้ำ	คุณไม่ได้เติมน้ำลงในเครื่อง คุณวางโถบนแท่นมอเตอร์ผิดตำแหน่ง	ปิดเครื่อง แล้วเติมน้ำลงในปริมาณที่เหมาะสม วางโถบนเครื่องในตำแหน่งที่ถูกต้อง (ดูที่หัวข้อ 'การนิ่ง' ในบท 'การใช้งาน')

ปัญหา	สาเหตุที่เป็นไปได้	การแก้ปัญหา
ระยะเวลาการนึ่งนานเกินไปหรือไม่สามารถทำการนึ่งได้	มีคราบตะกรันสะสมในแท่งค้ำน้ำมากเกินไป	ขจัดตะกรันในแท่งค้ำน้ำ ดูที่บท 'การทำความสะอาดและการบำรุงรักษา' ในหัวข้อ 'การขจัดคราบตะกรัน'
ไอน้ำพุ่งออกมาจากช่องเติมน้ำ	ฝาของช่องเติมน้ำปิดไม่สนิท	ปิดฝาช่องเติมน้ำให้สนิท (เสียงดัง 'คลิก')
	ช่องระบายไอน้ำบนแท่นมอเตอร์มีอาหารหรือคราบตะกรันอุดตันอยู่	ทำความสะอาดช่องระบายไอน้ำด้วยวัตถุปลายแหลมโดยระวังไม่ให้ซิลเสียหาย และปฏิบัติตามคำแนะนำในการขจัดคราบตะกรันต่อไป ดูที่บท 'การทำความสะอาดและการบำรุงรักษา' ในหัวข้อ 'การขจัดคราบตะกรัน'
ไฟแสดงการนึ่งสว่างขึ้นมาอีกครั้งหลังเสร็จสิ้นการนึ่งแล้ว เครื่องส่งเสียงเตือนขึ้นอีกครั้งเมื่อผ่านไปสักพักหนึ่ง	รูไอน้ำที่ฝามีสิ่งอุดตัน คุณอาจเจอทั้งไอน้ำบนฐานนานกว่า 10 นาที และลิ้มปิดเครื่อง	ถอดตัวแล้วทำความสะอาดรูไอน้ำที่ฝ่าให้ถูกต้อง ปิดเครื่องภายใน 10 นาทีหลังเสร็จสิ้นขั้นตอนการนึ่ง จากนั้นจึงป้อนอาหารหรือนำอาหารออกจากโด
ชุดใบมีดหรือชุดมอเตอร์ไม่หมุน	มีอาหารในโดมากเกินไป	ปิดสวิตช์เครื่อง จากนั้นลดปริมาณส่วนผสมในการปั่นให้น้อยลง ห้ามใส่อาหารลงไปในโดจนเกินขอบด้านบนของชุดใบมีดสีเขียว
มีกลิ่นที่ไม่พึงประสงค์ออกมาจากชุดมอเตอร์ตลอดการทำงาน ในช่วง 2-3 ครั้งแรกที่ใช้เครื่องปั่น	เป็นเหตุการณ์ปกติ	หากยังมีกลิ่นไม่พึงประสงค์ออกจากเครื่องหลังการใช้งานไปแล้ว 2-3 ครั้ง โปรดตรวจสอบว่าปริมาณอาหารสัมพันธ์กับระยะเวลาที่ใช้หรือไม่ ดูได้ที่บท 'ระยะเวลาการนึ่งและวัตถุดิบ'
เครื่องยังคงส่งกลิ่นไม่พึงประสงค์ออกมาหลังจากใช้งานไปแล้ว 2-3 ครั้ง	คุณใส่อาหารลงในโดมากเกินไปหรือใช้ระยะเวลาปั่นนานเกินไป	โปรดใส่อาหารในปริมาณที่น้อยลงและอย่าใช้ระยะเวลาการปั่นนานเกิน 30 วินาทีในแต่ละครั้ง
เครื่องส่งเสียงดังมากส่งกลิ่นไม่พึงประสงค์ สัมผัสแล้วร้อน มีควันออกมา ฯลฯ	มีอาหารในโดมากเกินไป	ปิดสวิตช์เครื่อง จากนั้นลดปริมาณส่วนผสมในการปั่นให้น้อยลง
	คุณใช้เครื่องนานเกินไปโดยไม่ได้พักเครื่อง	อย่าใช้ระยะเวลาการปั่นนานเกิน 30 วินาทีต่อครั้ง

ปัญหา	สาเหตุที่เป็นไปได้	การแก้ปัญหา
ฝาโถมีรอยรั่ว	คุณประกอบฝาโถไม่ถูกต้อง มีอาหารในโถมากเกินไป	ประกอบฝาโถอย่างถูกต้อง ดูที่บท 'การใช้งาน' ปิดสวิตช์เครื่อง จากนั้นลดปริมาณส่วนผสมในการปั่นให้น้อยลง
มีจุดสีขาวบนที่เติมน้ำและ/หรือบนโถตะแกรงร่อน และฝาปิด	ควรถะแกรนก่อนดับวบนขึ้นส่วนเหล่านี้	เป็นเหตุการณ์ปกติ ขจัดตะแกรงเป็นประจำ ดูที่บท 'การทำความสะอาดและการบำรุงรักษา' ในหัวข้อ 'การขจัดควรถะแกรน'
เครื่องมีเสียงดังมากขณะการปั่น	ตะแกรงร่อนไม่ยึดติดกับฝาโถ	ตรวจสอบให้แน่ใจว่าตะแกรงร่อนยึดติดกับฝาโถ
น้ำในแท่งคั้นมีสีผิดปกติเมื่อเทออกมาหรือเมื่อลงไปโถขณะทำการนึ่ง หรือน้ำในแท่งคั้นมีกลิ่นไม่พึงประสงค์	เศษอาหารได้เข้าไปในแท่งคั้นน้ำในระหว่างการใช้งาน	ทำความสะอาดแท่งคั้นน้ำตามคำแนะนำในบท 'การทำความสะอาดและการบำรุงรักษา' หัวข้อ 'การทำความสะอาดแท่งคั้นน้ำ' ใช้งานเครื่องตามคำแนะนำอย่างเคร่งครัด ตรวจสอบให้แน่ใจว่าคุณไม่ได้เติมน้ำลงในแท่งคั้นน้ำมากเกินไป (สูงสุด 200 มล.) และไม่ได้ใส่อาหารลงในโถจนมากเกินไป (ห้ามใส่อาหารลงในโถจนเกินขอบด้านบนของชุดใบมีดสีเขียว) อย่างนี้วัสดุขีดชุดเดียวกันนานเกิน 20 นาทีและอย่าใส่น้ำสำหรับการนึ่งลงไปโถโดยตรง และโปรดตรวจสอบให้แน่ใจว่าวาล์วที่ฝาเข้าที่แล้ว
แท่งคั้นน้ำมีกลิ่นอาหารบั้งย่างหรือไหม้ออกมา	เศษอาหารได้เข้าไปในแท่งคั้นน้ำขณะใช้งานและติดอยู่ที่ชิ้นส่วนทำความร้อน	ทำความสะอาดแท่งคั้นน้ำตามคำแนะนำในบท 'การทำความสะอาดและการบำรุงรักษา' หัวข้อ 'การทำความสะอาดแท่งคั้นน้ำ' ใช้งานเครื่องตามคำแนะนำอย่างเคร่งครัด ตรวจสอบให้แน่ใจว่าคุณไม่ได้เติมน้ำลงในแท่งคั้นน้ำมากเกินไป (สูงสุด 200 มล.) และไม่ได้ใส่อาหารลงในโถจนเกินไป (ห้ามใส่อาหารลงในโถจนเกินขอบด้านบนของชุดใบมีดสีเขียว) อย่างนี้วัสดุขีดชุดเดียวกันนานเกิน 20 นาทีและอย่าใส่น้ำสำหรับการนึ่งลงไปโถโดยตรง และโปรดตรวจสอบให้แน่ใจว่าวาล์วที่ฝาเข้าที่แล้ว
มีจุดสีดำในอาหารสำหรับเด็กหรือน้ำในโถมีสีผิดปกติ	เศษอาหารได้เข้าไปในแท่งคั้นน้ำขณะใช้งานและติดอยู่ที่ชิ้นส่วนทำความร้อน ซึ่งทำให้เศษอาหารเหล่านี้กลายเป็นตะกอนขนาดเล็กเข้าสู่โถระหว่างการนึ่ง	ทำความสะอาดแท่งคั้นน้ำตามคำแนะนำในบท 'การทำความสะอาดและการบำรุงรักษา' หัวข้อ 'การทำความสะอาดแท่งคั้นน้ำ' ใช้งานเครื่องตามคำแนะนำอย่างเคร่งครัด ตรวจสอบให้แน่ใจว่าคุณไม่ได้เติมน้ำลงในแท่งคั้นน้ำมากเกินไป (สูงสุด 200 มล.) และไม่ได้ใส่อาหารลงในโถจนเกินไป (ห้ามใส่อาหารลงในโถจนเกินขอบด้านบนของชุดใบมีดสีเขียว) อย่างนี้วัสดุขีดชุดเดียวกันนานเกิน 20 นาทีและอย่าใส่น้ำสำหรับการนึ่งลงไปโถโดยตรง และโปรดตรวจสอบให้แน่ใจว่าวาล์วที่ฝาเข้าที่แล้ว

Introduktion

Grattis till inköpet och välkommen till Philips AVENT! För att dra maximal nytta av den support som Philips erbjuder kan du registrera din produkt på www.philips.com/welcome.

Den här kombinerade ångkokaren och mixern passar perfekt när du ska tillreda små portioner barnmat. Den kombinerade ångkokaren och mixern är till hjälp för alla föräldrar som vill laga ett färskt mål mat till sina barn med en enkel ångkoknings- och mixerfunktion, kombinerat i en apparat.

Allmän beskrivning (Bild 1)

- 1 Lock med ångöppning
- 2 Sil
- 3 Knivenhet
- 4 Behållare med knivenhetskållare
- 5 Påfyllningsöppning på vattentanken
- 6 Ångöppning på motorenheten
- 7 Spärrområde för handtag
- 8 Motorenhet
- 9 Ånglampa
- 10 Kontrollvred
- 11 Ventil
- 12 Spatel
- 13 Mätbägare
- 14 Apparats undersida med nätsladd

Viktigt

Läs användarhandboken noggrant innan du använder apparaten och spara den för framtida bruk.

Fara

- Sänk aldrig ned motorenheten i vatten eller någon annan vätska och skölj den inte under kranen.

Varning

- Kontrollera att den spänning som anges på apparaten överensstämmer med den lokala nätspänningen innan du ansluter apparaten.
- Använd inte apparaten om stickkontakten, nätsladden eller själva apparaten är skadad.
- Om nätsladden är skadad måste den alltid bytas ut av Philips, något av Philips auktoriserade serviceombud eller liknande behöriga personer för att undvika olyckor.
- Den här apparaten kan användas av personer med olika funktionshinder, eller som inte har kunskap om hur apparaten används, så länge de övervakas och får instruktioner angående säker användning och förstår riskerna som medföljer.
- Apparaten får inte användas av barn. Håll apparaten och sladden utom räckhåll för barn.
- Barn ska inte leka med produkten.

- Vidrör inte knivenheternas egg, särskilt inte när apparaten är ansluten till elnätet och vid rengöring. Eggarna är mycket vassa.
- Om knivenheten fastnar kopplar du ur apparaten innan du tar bort ingredienserna som blockerar knivenheten.
- Apparaten blir mycket varm under ångkokningen och kan orsaka brännskador om du rör vid den. Lyft endast behållaren i handtaget.
- Se upp för het ånga som kommer ur behållaren under ångkokningen och när du tar bort locket.
- Se upp för het ånga som kommer ur vattentankens påfyllningsöppning när du öppnar locket.
- När ångkokningen är klar fortsätter het ånga att komma ur ångöppningen på motorenheten och ångöppningen på behållarens lock ett tag. Var försiktig när du lyfter av behållaren från motorenheten.
- Om apparaten används på fel sätt kommer het ånga ur påfyllningsöppningen. Mer information om hur du undviker eller löser problemet hittar du i kapitlet Felsökning.
- Lämna inte apparaten obevakad när den används.
- Ta inte isär motorenheten för underhåll eller rengöring. Ta med dig apparaten till något av Philips auktoriserade serviceombud för reparation.

Försiktighet

- Använd aldrig tillbehör eller delar från andra tillverkare om inte Philips särskilt har rekommenderat dem. Om du använder sådana tillbehör eller delar gäller inte garantin.
- Ställ inte apparaten på eller nära en spis eller en ugn som är igång eller fortfarande är varm.
- Dra alltid ur nätsladden och låt apparaten svalna innan du rengör den.
- Använd aldrig behållaren eller någon annan del av apparaten i mikrovågsugn, eftersom metalledarna på behållarens handtag och knivenhet är inte lämpliga för det.
- Sterilisera aldrig behållaren eller någon annan del av apparaten i en sterilisator eller i mikrovågsugn, eftersom metalledarna på behållarens handtag och knivenhet är inte lämpliga för det.
- Apparaten är endast avsedd för hushållsbruk. Om den används på felaktigt sätt eller i storskaligt bruk eller om den inte används enligt anvisningarna i användarhandboken upphör garantin att gälla och Philips tar inte på sig ansvar för skador som kan uppkomma.
- Var försiktig när du håller varm vätska i bägaren, eftersom varm vätska och ånga kan orsaka brännskador.
- Låt apparaten svalna i 10 minuter innan du ångkokar ytterligare en sats med ingredienser.

- Apparaten är inte avsedd för att hacka hårda ingredienser; t.ex. isbitar och bitsocker.
- Låt inte apparaten mixa i mer än 30 sekunder åt gången. Om du inte har mixat klart efter 30 sekunder stänger du av apparaten och väntar några sekunder innan du fortsätter. Om apparaten blir varm låter du den svalna i några minuter innan du fortsätter.
- Ställ apparaten på en stabil, jämn och plan yta. Se till det finns tillräckligt mycket utrymme kring den för att förhindra skador på t.ex. skåp eller andra föremål, eftersom apparaten avger het ånga under användningen.
- Använd inte apparaten om den har tappats eller är skadad. Ta med dig apparaten till något av Philips auktoriserade serviceombud för reparation.
- Kako biste izbjegli oštećenje aparata, u vrč za kuhanje na pari nikada nemojte stavljati vodu, druge tekućine ili pasiranu hranu.
- Använd aldrig ångkokningsfunktionen utan vatten.
- Se till att du inte fyller på för mycket vatten i vattentanken (max 200 ml). Överskrid inte maxnivån enligt markeringen på mätbägaren.
- När du ångkokar ingredienser ska du se till att inte fylla på för mycket i behållaren. Se till att den övre kanten på den gröna knivenheten inte täcks med mat (Bild 2).
- Överskrid inte maxnivån enligt markeringen på behållaren när du mixar vätskor (450 ml).
- Sätt inte in några föremål i påfyllningsöppningen eller i ångöppningen.
- Fyll aldrig på vattentanken under ångkokningen eftersom hett vatten och ånga kan komma ut ur apparaten.
- Kontrollera alltid att locket har svalnat efter ångkokningen innan du öppnar det och ska tillsätta fler ingredienser som ska mixas, om det behövs.
- Anslut inte apparaten till en extern omkopplingsenhet som en timer eller till en krets som regelbundet slås på och av av enheten. Fara kan annars uppstå p.g.a. oavsiktlig återställning av värmebrytaren.
- Kontrollera alltid barnmatens temperatur mot handryggen innan du matar ditt barn.
- Kontrollera alltid barnmatens konsistens, så att det inte finns några stora bitar i maten.
- När ångkokningsprocessen (max 20 min.) är klar, ska du inte ångkoka eller värma upp barnmaten igen.
- Använd endast den medföljande slickepotten för att ta ut maten ur behållaren.
- Regelbunden avkalkning förhindrar skador på apparaten.
- Stäng av apparaten och dra ut strömsladden innan du byter något tillbehör eller rör vid delar som rör sig under användning.

- Var försiktig när du hanterar de vassa knivarna vid tömning av behållaren och rengöring av apparaten.
- Koppla alltid bort enheten från eluttaget när den är lämnas obevakad.
- Barn får inte rengöra eller underhålla apparaten.

Säkerhetssystem

Apparaten är utrustad med ett inbyggt säkerhetslock. Apparaten fungerar bara om du har satt ihop alla delar ordentligt på motorenheten. Om alla delar har satts ihop ordentligt låses den inbyggda säkerhetsspärren upp.

Apparaten är också utrustad med överhettningsskydd. Överhettning kan inträffa om tiden mellan två ångkokningsprocesser är för kort, om mixerfunktionen används för länge eller om det finns för mycket ingredienser i behållaren. Om överhettningsskyddet stänger av apparaten under användningen, ställer du in kontrollvredet på 0 och låter apparaten svalna i några minuter. Sedan kan du använda apparaten igen.

Elektromagnetiska fält (EMF)

Den här Philips-produkten uppfyller alla tillämpliga standarder och regler gällande exponering av elektromagnetiska fält.

Före första användningen

- 1 Ta bort allt förpackningsmaterial från apparaten.
- 2 Rengör alla delar utom motorenheten (se kapitlet Rengöring och underhåll).

Använda apparaten

Kontrollera alltid barnmatens temperatur mot handryggen innan du matar ditt barn.

Se alltid till att locket har svalnat efter ångkokningen innan du öppnar det för att lägga i mer ingredienser som ska mixas, om det behövs. Överskrid inte maxnivån enligt markeringen på behållaren.

Töm vattentanken innan du fyller på den igen för att starta en ny ångkokningsprocess.

Se alltid till att den översta kanten på den gröna knivenheten inte är täckt med mat när du påbörjar ångkokningen.

Överskrid inte maxnivån enligt markeringen på behållaren (450 ml) när du mixar vätskor.

Den här apparaten är avsedd för ångkokning av färska, fasta ingredienser som sedan mixas till barnmat. Exempel finns i recepthäftet. Vanligtvis ångkokar du ingredienserna först och mixar dem sedan, men du kan också använda apparaten för enbart ångkokning eller mixning. När du använder apparaten för att bara mixa hoppar du över avsnitten Fylla vattentanken och Ångkokning och följer bara instruktionerna i avsnittet Mixa. Ångkoka aldrig mat som redan har mixats. Ångkoka aldrig samma ingredienser längre än 20 minuter eller mer än en gång.

Apparaten är INTE avsedd för att:

- Tina mat
- Ångkoka fryst mat
- Ångkoka redan mixad mat
- Ångkoka samma ingredienser i mer än 20 minuter
- Koka ris och pasta
- Först mixa ingredienser och sedan ångkoka dem
- Värma upp vätskor, t.ex. soppa eller vatten
- Hålla mat varm i flera timmar
- Värma upp mat

Fylla vattenbehållaren

1 Fyll mätbägaren med den mängd vatten som behövs (Bild 3).

Mätbägaren visar milliliter och motsvarande ångkokningstid i minuter. Rekommenderade mängder för recepten hittar du i det separata recepthäftet.

Obs! Överskrid inte maxnivån som anges på mätbägaren (200 ml) så att du inte överfyller vattentanken.

Obs! Vi rekommenderar inte att du använder mineralvatten eftersom mineralerna i vattnet gör att kalkavlagringar bildas i vattentanken.

2 Håll vattnet i påfyllningsöppningen och stäng locket (Bild 4).

Obs! Håll aldrig något annat än vatten i vattentanken.

Ångstryka

Om vissa grönsaker och frukter ångkokas något är de perfekta för barn som ska börja äta fast föda. Ångkokning är det nyttigaste sättet att tillaga mat, då maten behåller många vitaminer och andra nyttiga näringsämnen.

Obs! Du hittar recept och den koktid som krävs för recepten i det separata recepthäftet. Observera att recepten är anpassade för barnets ålder.

Obs! Ångkoka inte frysta ingredienser eftersom apparaten inte kan värma upp fryst mat till den temperatur som krävs för ångkokning. Tina alltid frysta, fasta ingredienser innan du ångkokar dem i den här apparaten. Skaka av allt överflödigt vatten från de tinade ingredienserna innan du lägger dem i behållaren.

1 Sätt knivenheten på knivenhetshållaren i behållaren (Bild 5).

2 Skär fasta ingredienser i små bitar (kuber inte större än 2-3 cm) innan du lägger dem i behållaren.

Obs! Kör inte stora mängder fasta ingredienser samtidigt. Kör de ingredienserna i flera mindre omgångar istället.

3 Lägg ingredienserna i behållaren (Bild 6).

Obs! Överskrid inte den övre kanten på den gröna knivenheten.

Obs! Håll aldrig vatten eller någon annan vätska i behållaren för ångkokning, för att undvika att skada apparaten.

4 Sätt i ventilen i locket (Bild 7).

Obs! Se till att ventilen sitter fast ordentligt.

5 Placera silen i behållarens lock (klick) (Bild 8).

6 Sätt locket på behållaren och sätt fast det genom att vrida det medurs. De små upphöjningarna på locket ska glida in i spåren på behållaren. Se till att den stora upphöjningen på locket placeras exakt över handtaget på behållaren (Bild 9).

7 Placera behållaren upp och ned på motorenheten, dvs. med locket nedåt. Kontrollera att handtaget är till höger och att det sitter fast ordentligt (Bild 10).

Obs! Ångkokningen startas inte om behållaren och handtaget inte är i rätt läge.

8 Vrid kontrollvredet till ångkokningsläge.

- Ånglampan lyser orange för att indikera att apparaten ångkokar (Bild 11).

Du kan bränna fingrarna på het ånga eller hett vatten. Rör inte de heta delarna eller ångan och håll barnen borta från apparaten. Ni kan bränna er (Bild 12).

- Tillagningstiden beror på hur mycket vatten du har hållt i vattentanken. Se tabellen i kapitlet Ingredienser och tillagningstider och recepthäftet.
- När ångkokningen är klar ger apparaten ifrån sig ett brummande ljud och ånglampan släcks.

9 Ställ in kontrollvredet på av-läget. Vänta i 2 minuter tills det inte kommer mer ånga ur ångöppningen, så att du inte bränner dig på het ånga. (Bild 13)

Obs! Om du vill ångkoka ytterligare en sats med ingredienser, låter du apparaten svalna i 10 minuter innan du börja ångkoka igen.

10 Om du vill mixa den ångkokta maten, följer du instruktionerna i avsnittet Mixa efter ångkokning här nedan.

11 Under normala förhållanden är det inget vatten kvar i vattentanken efter ångkokningen. Men i vissa fall (t.ex. om det finns kalkavlagringar i vattentanken, vid avbrott i ångkokningsprocessen eller oavsiktlig användning), kan det finnas lite vatten kvar i vattentanken. Töm i så fall vattentanken helt för att undvika bakterietillväxt. Se kapitlet "Rengöring och underhåll" för avkalkning av vattentanken.

Mixa efter ångkokning

1 Ta tag i behållarens handtag och lyft av behållaren från motorenheten. Vänd på behållaren och skaka den så att maten faller ned på knivenheten (Bild 14).

Rör endast behållarens handtag. Locket, undersidan och ytterdelen av behållaren är varma (Bild 15).

2 Om det behövs tar du bort locket och tillsätter ytterligare ingredienser för mixning (t.ex. vatten eller olja).

Se alltid till att locket på behållaren och locket till vattentanken har svalnat efter ångkokningen innan du öppnar dem för att lägga i mer ingredienser i behållaren eller om du ska hålla ut det kvarvarande vattnet ur vattentanken.

När du har hållt vätska i behållaren ska du aldrig sätta den i ångkokningsläge.

3 Placera behållaren upprätt på motorenheten, dvs. med locket uppåt. Kontrollera att handtaget är till höger och placerat mellan spärrområdets två räfflor (Bild 16).

4 Ställ in kontrollvredet på mixningsläget. Håll vredet i det här läget tills maten är ordentligt mixad (Bild 17).

Låt inte apparaten mixa i mer än 30 sekunder åt gången. Om du inte har mixat klart efter 30 sekunder stänger du av apparaten och väntar några sekunder innan du fortsätter. Om apparaten blir varm låter du den svalna i några minuter innan du fortsätter.

Obs! Om ingredienser fastnar på behållarens insida stänger du av apparaten och tar loss dem med spateln eller tillsätter lite vätska.

Obs! Kontrollera att den mixade barnmaten har rätt konsistens (t.ex. inga klumpar) innan du matar ditt barn.

Obs! Om barnmaten fortfarande är för fast tillsätter du lite vätska (t.ex. vatten) tills barnmaten blir lös och slät.

5 När du har mixat klart släpper du helt enkelt kontrollvredet (Bild 18).

- Vredet återgår automatiskt till läget "av".

6 Dra ur nätsladden.

7 Ta bort knivenheten. Var försiktig när du tar bort knivenheten eftersom den kan vara mycket varm. Ta bort den mixade maten ur behållaren. Om det behövs använder du apparatens medföljande spatel.

Se till att barnmaten inte är för varm för barnet.

- 8** Under normala förhållanden är det inget vatten kvar i vattentanken efter ångkokningen. Men i vissa fall (t.ex. om det finns kalkavlagringar i vattentanken, vid avbrott i ångkokningsprocessen eller oavsiktlig användning), kan det finnas lite vatten kvar i vattentanken. Töm i så fall vattentanken helt för att undvika bakterietillväxt. Se kapitlet "Rengöring och underhåll" för avkalkning av vattentanken.

Mixa utan att ångkoka

Apparaten är avsedd för att:

- göra puré av ångkokta och kokta ingredienser för barnmat
- mixa vätskor och frukter till drycker för barn

Apparaten är inte avsedd för att hacka hårda ingredienser, t.ex. isbitar och bitsocker.

När du har hållt vätska i behållaren ska du aldrig sätta den i ångkokningsläge.

Obs! När du mixar vätskor ska du se till att inte fylla behållaren över den angivna maxnivån.

Obs! Ångkoka aldrig barnmat när du har mixat den.

- 1** Sätt knivenheten på knivenhethållaren i behållaren (Bild 5).
- 2** Skär fasta ingredienser i små bitar (kuber inte större än 2-3 cm) innan du lägger dem i behållaren.

Tips: Kör inte stora mängder fasta ingredienser samtidigt. Kör de ingredienserna i flera mindre omgångar istället.

- 3** Lägg ingredienserna i behållaren. (Bild 6)

Obs! Överskrid inte den övre kanten på den gröna knivenheten.

- 4** Sätt i ventilen i locket (Bild 7).

Obs! Se till att ventilen sitter fast ordentligt.

- 5** Placera silen i behållarens lock (klick) (Bild 8).

- 6** Sätt locket på behållaren och sätt fast det genom att vrida det medurs. De små upphöjningarna på locket ska glida in i spåren på behållaren. Se till att den stora upphöjningen på locket placeras exakt över handtaget på behållaren. (Bild 9)

- 7** Placera behållaren upprätt på motorenheten, dvs. med locket uppåt. Kontrollera att handtaget är till höger och placerat mellan spärrområdets två räfflor (Bild 16).

- 8** Ställ in kontrollvredet på mixningsläget. Håll vredet i det här läget så länge du behöver men inte i mer än 30 sekunder (Bild 17).

Obs! Om ingredienser fastnar på behållarens insida stänger du av apparaten och tar loss dem med spateln eller tillsätter lite vätska. Överskrid inte maxnivån på behållaren.

Obs! Kontrollera att den mixade barnmaten har rätt konsistens (t.ex. inga klumpar) innan du matar ditt barn.

Obs! Om barnmaten fortfarande är för fast kan du tillsätta lite vätska (t.ex. vatten) tills barnmaten är lös och slät. Överskrid inte maxnivån på behållaren.

Obs! Ångkoka aldrig barnmat när du har mixat den.

Låt inte apparaten mixa i mer än 30 sekunder åt gången. Om du inte har mixat klart efter 30 sekunder stänger du av apparaten och väntar några sekunder innan du fortsätter. Om motorenheten blir varm låter du den svalna i några minuter innan du fortsätter.

- 9** När du har mixat klart släpper du helt enkelt kontrollvredet. (Bild 18)
 - Vredet återgår automatiskt till läget "av".

10 Dra ur nätsladden.

11 Ta bort knivenheten. Var försiktig när du tar bort knivenheten eftersom den kan vara mycket varm. Ta bort den mixade maten ur behållaren. Om det behövs använder du apparatens medföljande spatel.

Se till att barnmaten inte är för varm för barnet.

Ingredienser och tillagningstider		
Typ av mat	Ingrediens	Ungefärlig ångkokningstid*
Frukt	Äpple	5 min
	Apelsin	10 min
	Persika	10 min
	Päron	5 min
	Ananas	15 min.
	Plommon	10 min
Grönsaker	Sparris	10 min
	Broccoli	20 min
	Morot	15 min.
	Blomkål	15 min.
	Selleri	15 min.
	Zucchini	15 min.
	Fänkål	15 min.
	Haricots verts	20 min
	Purjolök	15 min.
	Lök	15 min.
	Ärtor	20 min
	Paprika	15 min.
	Potatis	20 min
	Pumpa	15 min.
	Spenat	15 min.
Kålrot	15 min.	
Sötpotatis	15 min.	
Tomater	15 min.	
Kött	Kyckling, nötkött, lamm, fläsk osv.	20 min
Fisk	Lax, sjötunga, torsk, forell osv.	15 min.

* All mat måste skäras i små kuber, inte större än 2-3 cm.

Obs! Mätbägaren visar milliliter och motsvarande tillagningstid i minuter (50 ml = 5 min, 100 ml = 10 min, 150 ml = 15 min, 200 ml = 20 min).

Rengöring och underhåll

Rengör apparaten efter varje användning.

Doppa aldrig motorenheten i vatten.

Använd aldrig blekmedel eller steriliseringslösningar/-tabletter i apparaten.

Använd aldrig skursvampar, slipande rengöringsmedel eller vätskor som bensin, aceton eller alkohol till att rengöra enheten.

- 1** Dra ur nätsladden och ta bort behållaren från motorenheten (Bild 19).
- 2** Ta bort locket från behållaren och vrid locket upp och ner (Bild 20).
- 3** Ta bort silen och ventilen från locket. (Bild 21)
- 4** Rengör de löstagbara delarna i ljummet vatten med lite diskmedel och skölj dem under rinnande vatten.
- 5** Ta bort knivenheten från behållaren (Bild 22).
- 6** Rengör knivenheten noggrant under rinnande vatten omedelbart efter användning. Se också till att skölja insidan av knivenhetens rör (Bild 23).

Hantera knivenheten ytterst försiktigt. Eggarna är mycket vassa.

Obs! Om du vill rengöra knivenheten mer noggrant kan du också köra den i diskmaskin efter att du har sköljt den.

- 7** Rengör de andra delarna som har kommit i kontakt med mat i varmt vatten med lite diskmedel omedelbart efter användning.

Obs! Alla delar utom motorenheten kan även diskas i diskmaskin.

- 8** Rengör motorenheten med en fuktig trasa om det behövs.
- 9** Kontrollera om några matpartiklar har kommit in i vattentanken. Du kan göra det genom att titta in i påfyllningsöppningen för att se om det finns några matpartiklar där eller genom att kontrollera om vattnet har en ovanlig färg och genom att känna om vattentanken avger en otrevlig eller bränd lukt. Om så är fallet rengör du vattentanken (se avsnittet Rengöra vattentanken i det här kapitlet).
- 10** Låt locket till påfyllningsöppningen vara öppen för att förhindra bakterietillväxt.

Avkalka vattentanken

Om matpartiklar kommer in i vattentanken kan de fastna i värmeelementet i tanken under nästa ångkokning. Det går inte att ta bort partiklarna bara genom att skölja vattentanken. Du måste dessutom avkalka apparaten en gång i månaden, så att den fungerar 100 % effektivt. Du kan förebygga att det bildas kalkavlagringar genom att använda förkokat eller steriliserat vatten. Följ avkalkningsinstruktionerna nedan för att ta bort matpartiklar i vattentanken och avkalka apparaten.

- 1** Kontrollera att apparaten är avstängd.
- 2** Tillsätt 50 ml vit vinäger (8 % ättiksyra) per 150 ml vatten.

Obs! Du kan också använda avkalkare baserade på citronsyra. Använd inga andra typer av avkalkare.

- 3** Häll lösningen med vinäger (eller citronsyra) och vatten i vattentanken.

- 4 Stäng locket till påfyllningsöppningen.
- 5 Ställ den tomma behållaren (utan någon mat i) helt monterad med knivenhet och lock på motorenheten i ångkokningsläge (dvs. med locket pekande nedåt).
- 6 Vrid kontrollvredet till ångkokningsläget.
 - Ånglampan lyser orange för att indikera att apparaten ångkokar.
- 7 Stäng av apparaten efter 5-6 minuters ångkokning och koppla ur den.
- 8 Häll ut den använda lösningen med vit vinäger (8 % ättiksyra) och vatten ur vattentanken (Bild 24).
- 9 Skölj vattentanken och behållaren grundligt med rent vatten flera gånger.
- 10 Fyll tanken med 200 ml vatten och kör en ångkokningsprocess på 20 minuter med den tomma behållaren innan du använder apparaten med mat igen.
- 11 Låt locket till påfyllningsöppningen vara öppet för att förhindra bakterietillväxt.

Återvinning

- Den här symbolen betyder att produkten inte ska slängas bland hushållssoporna (2012/19/EU) (Bild 25).
- Följ föreskrifterna för separat insamling av elektriska och elektroniska produkter som gäller i ditt land. Korrekt kassering bidrar till att förhindra negativ påverkan på miljö och hälsa.

Förvaring

- 1 Töm vattentanken innan du ställer undan apparaten för förvaring (Bild 24).
- 2 Se till att alla delar är rena och torra innan du ställer undan apparaten (se kapitlet "Rengöring och underhåll").
- 3 Förvara apparaten med knivenheten i behållaren så undviker du att den skadas.
- 4 Lägg inte på locket på behållaren och låt locket till påfyllningsöppningen vara öppet för att undvika bakterietillväxt.

Garanti och support

Om du behöver information eller support kan du gå till www.philips.com/support eller läsa garantibroschyren.

Tekniska specifikationer

- Spänning/wattal: Se typplattan på apparatens undersida.
- Vattentankens maxkapacitet: 200 ml.
- Behållarens maxkapacitet, vätskor: 450 ml.
- Skydd: temperaturkontrollerat uppvärmningssystem och säkerhetspärr.

Felsökning

I det här kapitlet sammanfattas de vanligaste problemen som kan uppstå med apparaten. Om du inte kan lösa problemet med hjälp av informationen nedan kan du gå till www.philips.com/support och läsa svaren på vanliga frågor. Du kan även kontakta kundtjänst i ditt land.

Problem	Möjlig orsak	Lösning
Apparaten fungerar inte.	Apparaten är utrustad med en säkerhetsspär. Om delarna inte har monterats på rätt sätt på motorenheten fungerar inte apparaten.	Montera alla delar ordentligt. Se kapitlet Använda apparaten.
Ånglampan tänds inte.	Apparaten är inte ansluten till elnätet.	Sätt i stickkontakten i vägguttaget.
	Behållaren är inte rätt placerad på motorenheten.	Sätt fast behållaren ordentligt på motorenheten.
	Du vill starta en andra ångkokning precis efter du har avslutat en.	Stäng av apparaten och låt den svalna i några minuter innan du startar nästa ångkokning.
Ingredienserna värms inte upp helt.	Bitarna i behållaren är för stora, det är för mycket mat i behållaren eller så har du inte ångkokat maten tillräckligt länge.	Skär maten i mindre bitar (2-3 cm), minska mängden mat i behållaren eller välj en längre tillagningstid (max 20 minuter). Läs i recepthäftet och/eller tabellen i kapitlet Ingredienser och tillagningstider så att du väljer rätt tillagningstid för de ingredienser du vill ångkoka eller receptet du vill tillaga.
Apparaten ångokar inte.	Du har inte hällt vatten i apparaten.	Stäng av apparaten och tillsätt rätt mängd vatten i apparaten.
	Du har inte ställt behållaren på motorenheten i rätt läge.	Ställ behållaren på apparaten i rätt läge (se avsnittet Ångkokning i kapitlet Använda apparaten).
Ångkokningen tar för lång tid eller ångkokningsfunktionen fungerar inte alls.	Det finns för mycket kalk i vattentanken.	Avkalka vattentanken. Se kapitlet Rengöring och underhåll, avsnittet Avkalkning.
Ånga kommer ut ur påfyllningsöppningen.	Påfyllningsöppningens lock är inte ordentligt stängt.	Stäng locket till påfyllningsöppningen ordentligt (ett klickljud hörs).
	Ångöppningen på motorenheten är blockerad av mat eller kalk.	Rengör ångöppningen med ett spetsigt föremål utan att skada tätningen och följ i framtiden instruktionerna för avkalkning. Läs kapitlet Rengöring och underhåll, avsnittet Avkalkning.
	Lockets ångöppning är blockerad.	Ta bort ventilen och rengör locket ångöppning noggrant.

Problem	Möjlig orsak	Lösning
Ånglampan tänds igen efter att ångkokningen är klar. Efter ett tag ger apparaten ifrån sig ett brummande ljud.	Du har av misstag lämnat behållaren på basenheten i mer än 10 minuter utan att stänga av apparaten.	Stäng av apparaten inom 10 minuter efter att ångkokningen är klar. Mixa sedan maten eller ta bort den från behållaren.
Knivenheten eller motorenheten är blockerad.	Det är för mycket mat i behållaren.	Stäng av apparaten och tillred en mindre mängd mat. Fyll inte behållaren över den översta kanten på den gröna knivenheten.
Motordelen avger en obehaglig lukt de första gångerna den används.	Det är normalt.	Om lukten inte försvinner när du har använt apparaten några gånger kontrollerar du om tillredningsmängden och -tiden stämmer. Se kapitlet Ingredienser och tillagningstider.
Apparaten fortsätter att avge en obehaglig lukt efter att jag har använt den några gånger.	Du lägger i för mycket mat i behållaren eller så låter du apparaten mixa för länge.	Tillred mindre mängder och mixa inte längre än 30 sekunder åt gången.
Apparaten för mycket oväsen, avger en obehaglig lukt, blir varm, ryker, mm.	Det är för mycket mat i behållaren.	Stäng av apparaten och tillred en mindre mängd mat.
	Du kör apparaten för länge utan avbrott.	Mixa inte längre än 30 sekunder åt gången.
Locket till behållaren läcker.	Du har inte satt på locket ordentligt på behållaren.	Sätt på locket ordentligt på behållaren. Se kapitlet Använda apparaten.
	Det är för mycket mat i behållaren.	Stäng av apparaten och tillred en mindre mängd mat.
Det finns vita fläckar på påfyllningsöppningen och/eller behållaren, silen och locket.	Kalkavlagringar har byggts upp på delarna.	Det är normalt. Avkalka regelbundet. Se kapitlet Rengöring och underhåll, avsnittet Avkalkning.
Apparaten avger mycket ljud under mixning.	Silen sitter inte på behållarens lock.	Kontrollera att silen sitter på behållarens lock.

Problem	Möjlig orsak	Lösning
Vattnet i vattentanken har en ovanlig färg när du håller ut det ur vattentanken eller när det kommer in i behållaren under ångkokningen eller vattnet i vattentanken har en otrevlig lukt.	Matpartiklar har kommit in i vattentanken under användningen.	Rengör vattentanken enligt instruktionerna i kapitlet Rengöring och underhåll, avsnittet Rengöra vattentanken. Använd apparaten helt enligt instruktionerna. Se till du inte fyller på för mycket vatten i vattentanken (max 200 ml) och att du inte fyller på för mycket mat i behållaren (fyll inte behållaren över den övre kanten på den gröna knivenheten). Ångkoka inte samma ingredienser i mer än 20 minuter och håll inte vatten för ångkokning direkt i behållaren. Se också till att ventilen är fastsatt i locket.
En lukt av grillad eller bränd mat kommer ur vattentanken.	Matpartiklar har kommit in i vattentanken under användningen och fastnat på värmeelementet.	Rengör vattentanken enligt instruktionerna i kapitlet Rengöring och underhåll, avsnittet Rengöra vattentanken. Använd apparaten helt enligt instruktionerna. Se till du inte fyller på för mycket vatten i vattentanken (max 200 ml) och att du inte fyller på för mycket mat i behållaren (fyll inte behållaren över den övre kanten på den gröna knivenheten). Ångkoka inte samma ingredienser i mer än 20 minuter och håll inte vatten för ångkokning direkt i behållaren. Se också till att ventilen är fastsatt i locket.
Det finns mörka prickar i barnmaten eller vattnet i behållaren har en ovanlig färg.	Matpartiklar har kommit in i vattentanken under användningen och har fastnat på värmeelementet. Det gör att rester av matpartiklarna kommer in i behållaren under ångkokningen.	Rengör vattentanken enligt instruktionerna i kapitlet Rengöring och underhåll, avsnittet Rengöra vattentanken. Använd apparaten helt enligt instruktionerna. Se till du inte fyller på för mycket vatten i vattentanken (max 200 ml) och att du inte fyller på för mycket mat i behållaren (fyll inte behållaren över den övre kanten på den gröna knivenheten). Ångkoka inte samma ingredienser i mer än 20 minuter och håll inte vatten för ångkokning direkt i behållaren. Se också till att ventilen är fastsatt i locket.





