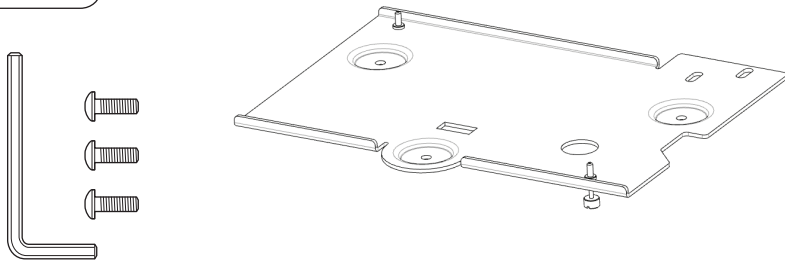
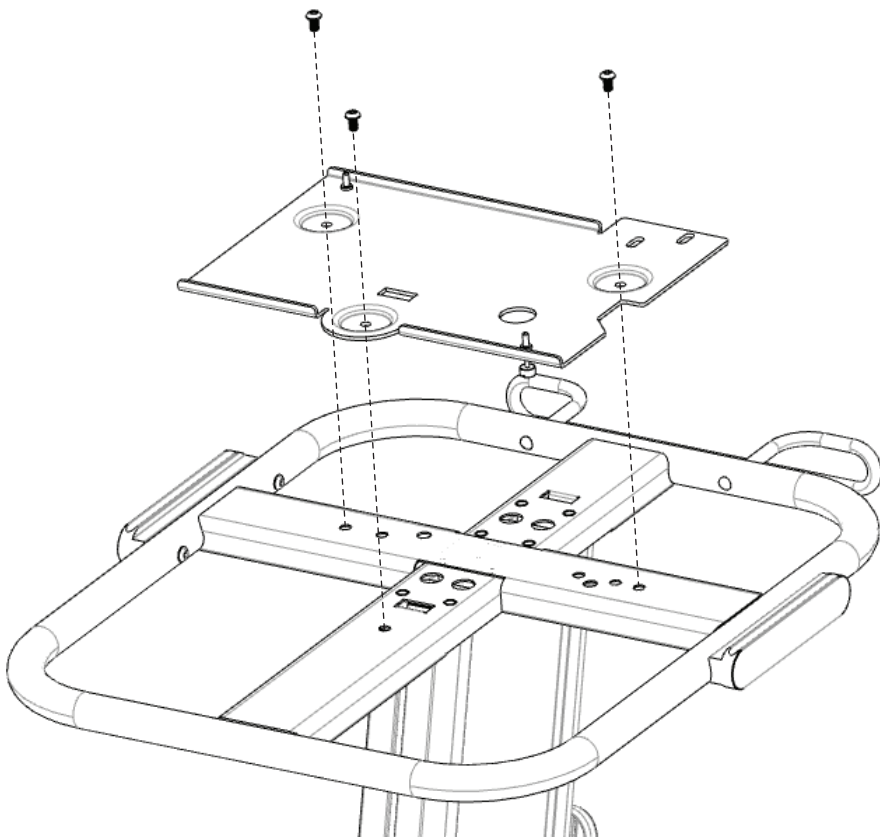


REF 1048873

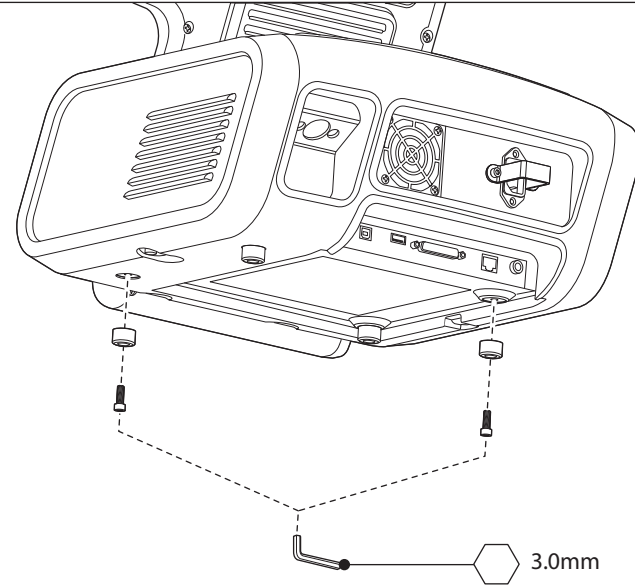
1



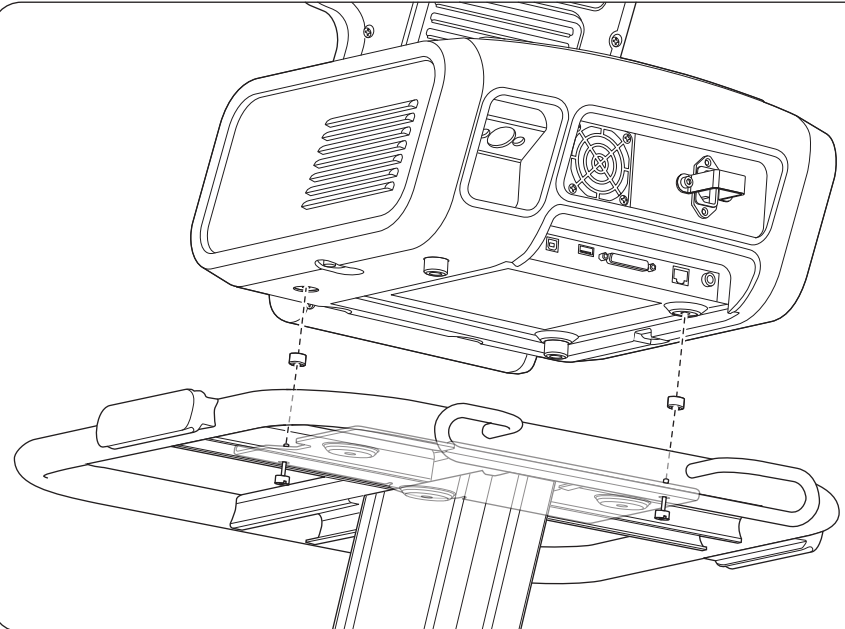
2



3



4



**Philips Healthcare is part of Royal Philips Electronics**

[www.philips.com/healthcare](http://www.philips.com/healthcare)  
[healthcare@philips.com](mailto:healthcare@philips.com)

**Manufacturer's address**

Respironics California, Inc.  
2271 Cosmos Court  
Carlsbad, CA 92011  
USA  
1 800 345 6443  
724 387 4000

**European representative address**

Respironics Deutschland GmbH  
Gewerbestrasse 17  
D-82211 Herrsching  
Germany  
+49 8 15 29 30 60



© 2009 Koninklijke Philips Electronics N.V.

All rights are reserved. Reproduction or transmission in whole or in part, in any form or by any means, electronic, mechanical or otherwise, is prohibited without the prior written consent of the copyright owner.