

Installation Guide

M-Series Arm and Extension for Mounting Philips FMS on Left Side of Dräger Apollo Anesthesia Machine

The purpose of this guide is to describe installation of mounting assembly on the anesthesia machine.



WARNING: USE OF MOUNTING HARDWARE AND MONITORING COMPONENTS OTHER THAN THOSE DESCRIBED IN THIS DOCUMENT MAY RESULT IN SERIOUS INJURY DUE TO TIPPING OF THE ANESTHESIA MACHINE.

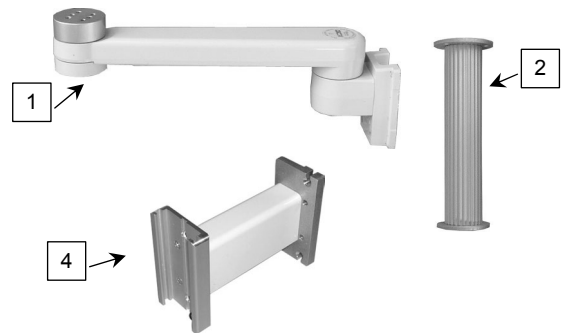
WARNING: ALL DEVICES AND MOUNTING EQUIPMENT SHOULD BE POSITIONED INWARD, CLOSE TO THE ANESTHESIA MACHINE, DURING TRANSPORT.

Installer: When installation is completed, provide these instructions and all related documentation to the end user for future reference.

Parts Reference

The following parts and hardware are included in this installation kit (hardware not shown):

Item #	Description	Qty
1	M-Series Arm, 12"	1
2	Down Post, 6"	1
3	#10-32 x 3/8" Socket Head Cap Screw (SHCS)	3
4	6" Channel Extension	1
5	Nut Plate	2
6	M6 x 25mm Flat Head Socket Cap Screw (FHSCS)	2
7	1/8" Hex Wrench	1
8	5/32" Hex Wrench	1

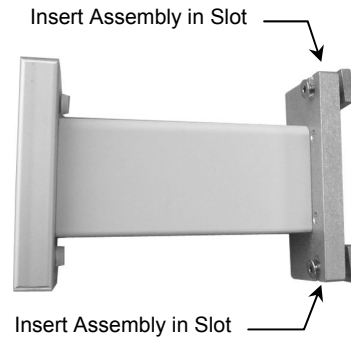
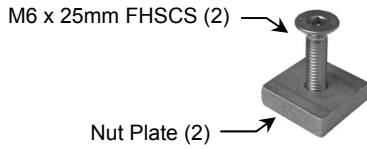


Tools Required

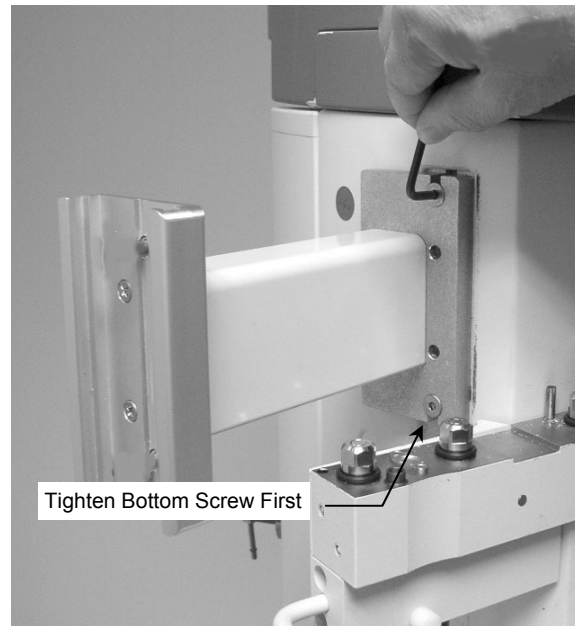
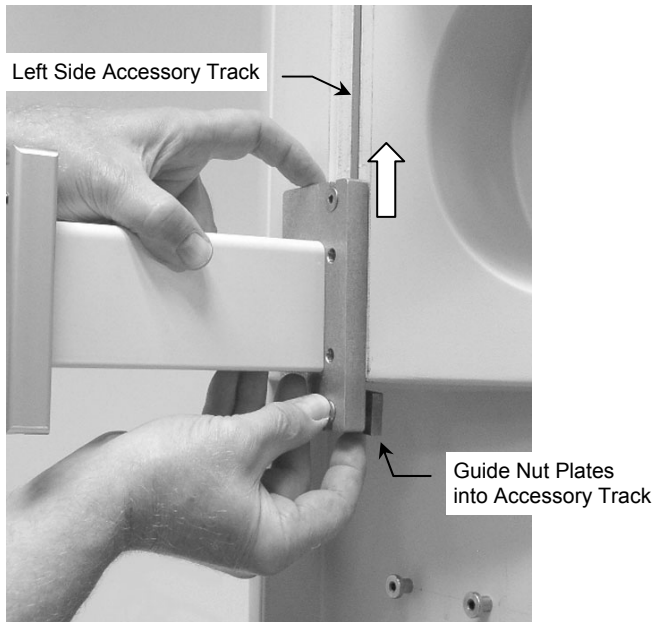
- 5/32" hex wrench (provided)
- 1/8" hex wrench (provided)

Mounting Extension Channel in Left Side Accessory Track

1. Thread one (1) M6 x 25mm FHSCS a few turns into each Nut Plate, leaving 20mm of thread exposed per screw (below left).
2. Insert Nut Plate/screw assemblies in top and bottom slots as shown below right.

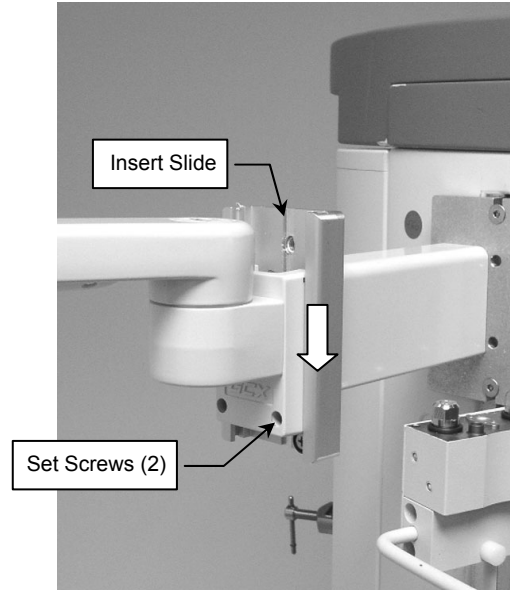
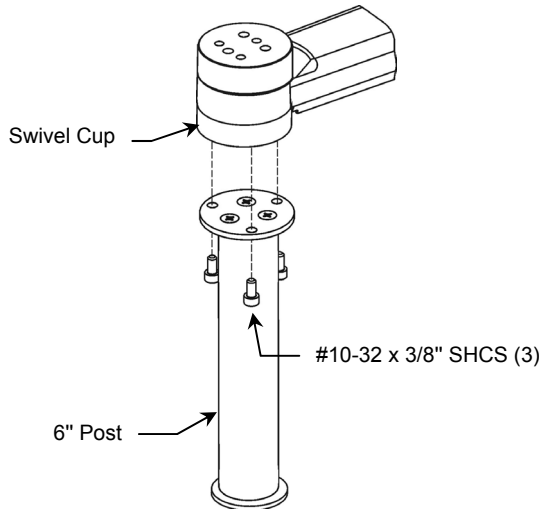


3. Hold Nut Plate/Screw assemblies in position (below left) while guiding Nut Plates into accessory track. Move entire assembly up the track to desired mounting position.
4. Using the 5/32" hex wrench provided, tighten bottom screw first, then top screw (below right).



Installing Arm in Channel

1. Using the 5/32" hex wrench provided, fasten 6" Down Post to Swivel Cup with three (3) #10-32 x 3/8" SHCS as shown below left.
2. Insert Slide (rear of Arm) in opening in top of channel and carefully lower Arm to rest at bottom of channel. Using the 1/8" hex wrench provided, tighten two (2) socket set screws to secure position in channel.



Mounting FMS on Down Post

Follow Philips instructions for mounting FMS on Down Post. A Philips-supplied clamp is required for this installation.

Installation Note: The clamp on the rear of the FMS may be rotated 90° to allow vertical mounting of the FMS as shown below right.



Periodic Maintenance

All fasteners associated with the mounting system should be inspected periodically and tightened or adjusted as necessary for optimal operation and safety.

Cleaning the Mounting Assembly

CAUTION: GCX makes no claims regarding the efficacy of the listed chemicals or processes as a means for controlling infection. Consult your hospital's infection control officer or epidemiologist. To clean or sterilize mounted devices or accessory equipment, refer to the specific instructions delivered with those products.

1. The mounting assembly may be cleaned with most mild, non-abrasive solutions commonly used in the hospital environment (e.g. diluted bleach, ammonia, or alcohol solutions).
2. The surface finish will be permanently damaged by strong chemicals and solvents such as acetone or trichloroethylene.
3. Steel wool or other abrasive material should never be used.
4. Damage caused by the use of unapproved substances or processes will not be warranted. We recommend testing of any cleaning solution on a small area of the arm that is not visible to verify compatibility.
5. Never submerge or allow liquids to enter the arm. Wipe any cleaning agents off the arm immediately using a water-dampened cloth. Dry mounting assembly thoroughly after cleaning.