

Installation Guide

Cable Management Hook Assembly for Vertically Mounted Philips Flexible Module Server (FMS)

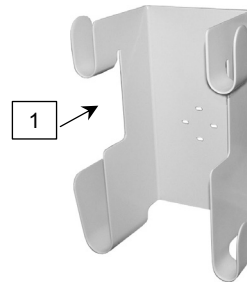


The purpose of this guide is to describe attachment of Hook Assembly.

Parts Reference

The following parts and hardware are included in this installation kit (hardware not shown)

Item #	Description	Qty
1	Hook Assembly, Cable Management	1
2	M4 x 14 mm Pan Head Machine Screw (PHMS)	2
3	M4 x 12 mm PHMS	2

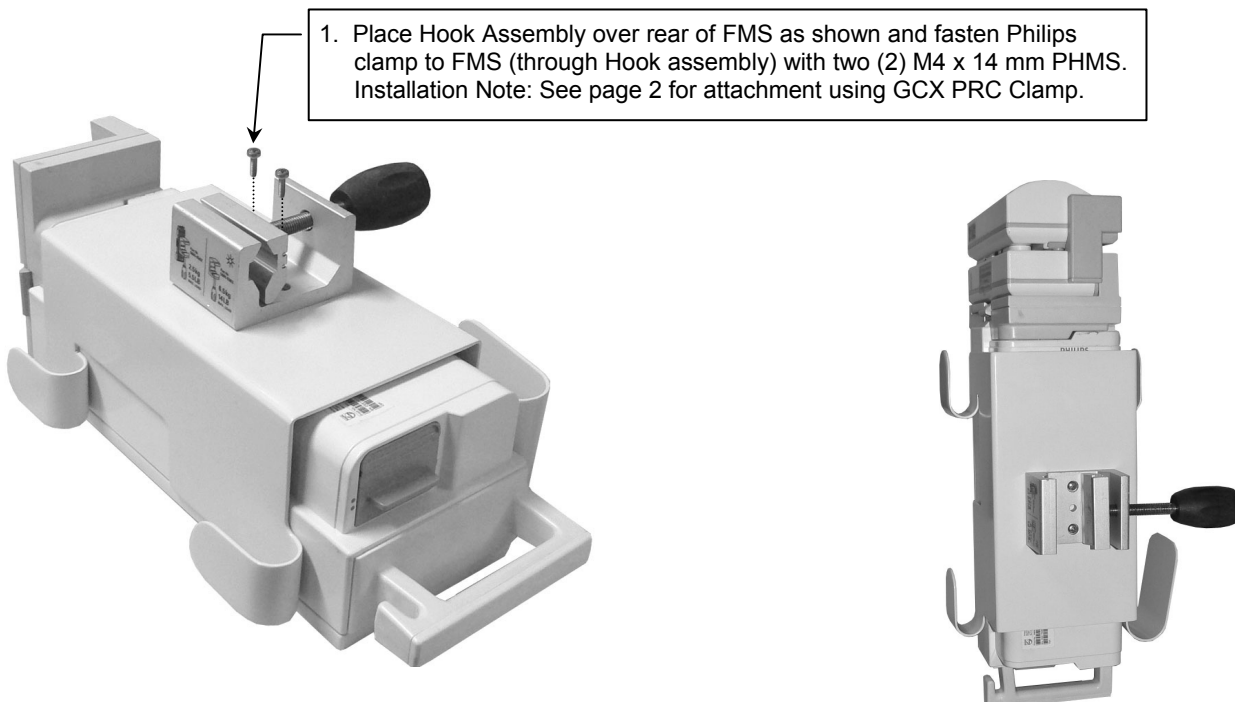


Tools required: Phillips screwdriver (not provided).

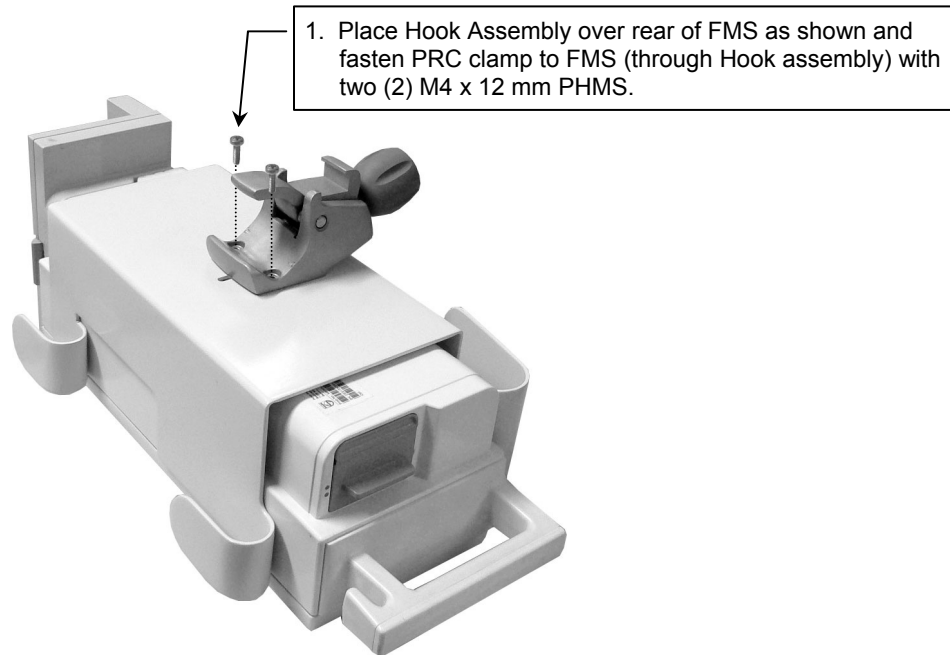
Attaching Hook Assembly to FMS

The Hook Assembly is installed between the FMS and mounting clamp as shown below and on page 2.

Attachment of Hook Assembly using Philips Clamp



Attachment of Hook Assembly using GCX PRC



Periodic Maintenance

All fasteners associated with the mounting system should be inspected periodically and tightened or adjusted as necessary for optimal operation and safety.

Cleaning the Mounting Assembly

CAUTION: GCX makes no claims regarding the efficacy of the listed chemicals or processes as a means for controlling infection. Consult your hospital's infection control officer or epidemiologist. To clean or sterilize mounted devices or accessory equipment, refer to the specific instructions delivered with those products.

1. The mounting assembly may be cleaned with most mild, non-abrasive solutions commonly used in the hospital environment (e.g. diluted bleach, ammonia, or alcohol solutions).
2. The surface finish will be permanently damaged by strong chemicals and solvents such as acetone or trichloroethylene.
3. Steel wool or other abrasive material should never be used.
4. Damage caused by the use of unapproved substances or processes will not be warranted. We recommend testing of any cleaning solution on a small area of the arm that is not visible to verify compatibility.
5. Never submerge or allow liquids to enter the arm. Wipe any cleaning agents off the arm immediately using a water-dampened cloth. Dry mounting assembly thoroughly after cleaning.