

## Installation Guide

### Mounting Kit – Philips MP20/30/40/50/60/70 on Draeger Zeus



The purpose of this guide is to describe:

1. Describe attachment of Arm to 38mm Post.
2. Attachment of Camlock Mounting Plate.
3. Attachment of table top mount.
4. Attachment of Down Post.
5. Mounting of M-Series Arm.



**WARNING:** USE OF MOUNTING HARDWARE AND MONITORING COMPONENTS OTHER THAN THOSE DESCRIBED IN THIS DOCUMENT MAY RESULT IN SERIOUS INJURY DUE TO TIPPING OF THE ANESTHESIA MACHINE.

**WARNING:** ALL DEVICES AND MOUNTING EQUIPMENT SHOULD BE POSITIONED INWARD, CLOSE TO THE ANESTHESIA MACHINE, DURING TRANSPORT.

### Parts Reference

The parts list below includes the parts and hardware that will be used in this installation procedure.

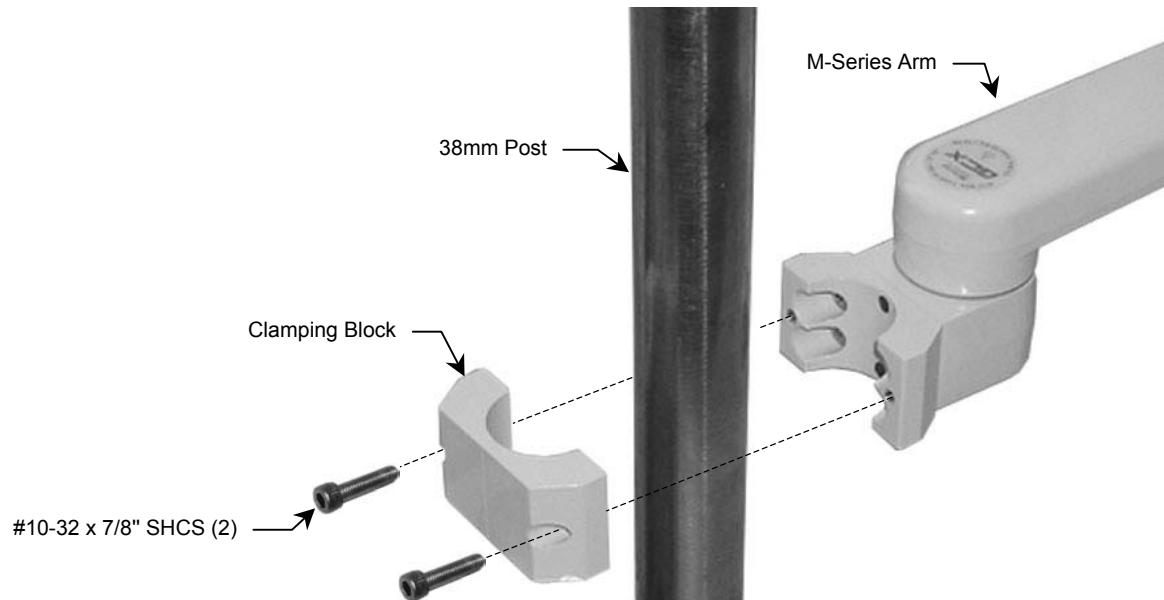
Item #	Description	Qty
1	M-Series Arm with 38mm Clamps	1
2	#10-32 x 7/8" SHCS	2
3	Vertical FMS Mount	1
4	M6 x 25mm PHMS	3
5	M6 x 8mm FHMS	2
6	M6 x 12mm FHMS	1
7	Spacer, MP20/30	1
8	M6 x 16mm Pan Head Machine Screw (PHMS)	2
9	5/32" Hex Wrench	1
10	1/8" Hex Wrench	1

\* See "Mounting MP20/30 on non-Table Top Mount" (page 6) for use of these parts.

**Tools Required:** Phillips screwdriver (not provided), 5/32" and 1/8" hex wrenches (provided).

## Mounting M-Series Arm on 38mm Post

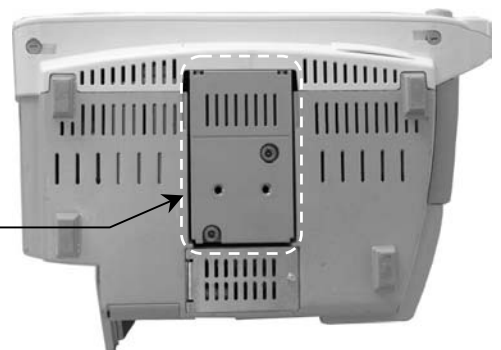
1. Using the 5/32" hex wrench provided, mount Arm on post by fastening Clamping Block to Arm with two (2) #10-32 x 7/8" SHCS as shown below.



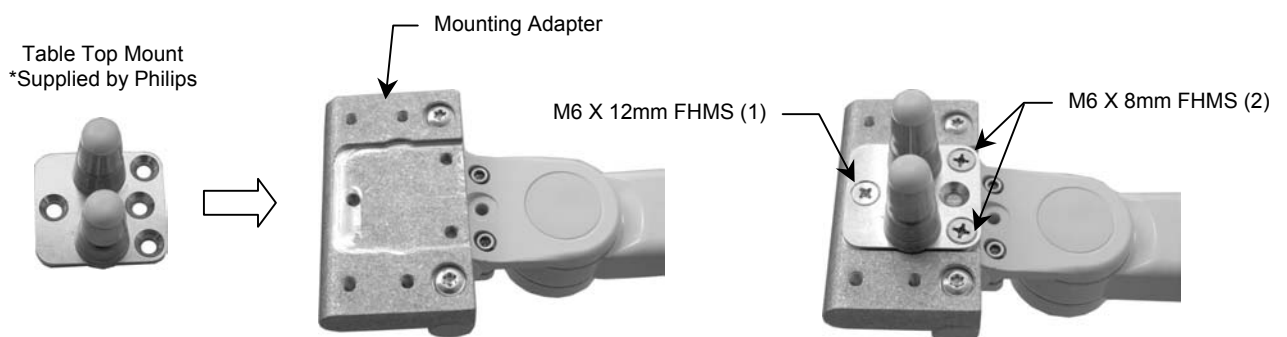
## Attaching the \*Philips Table Top Mount to Mounting Adapter on M-Series Arm

**Installation Note:** Do not attach the Table Top Mount to the Arm/Mounting Adapter if you will be mounting an MP20/30 monitor equipped with the mounting interface shown in below. See "Mounting MP20/30 on non-Table Top Mount" (page 3) for instructions specific to this type of mounting interface.

Do Not Attach Table Top Mount if MP20/30 Monitor is Equipped with This Mounting Interface

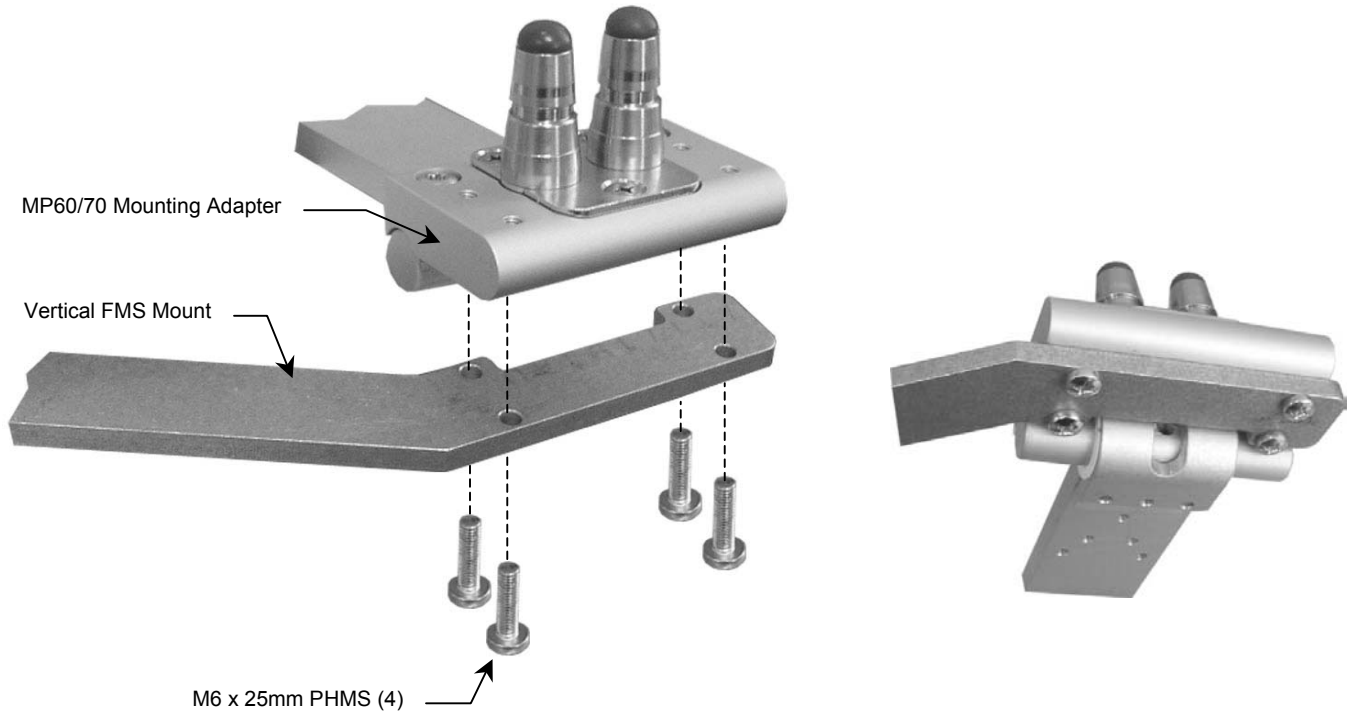


1. Fasten the Philips-supplied Table Top Mount to the Mounting Adapter (front end of Arm) with one (1) M6 x 12mm FHMS and two (2) M6 x 8mm FHMS.



## Attaching the Vertical FMS Mount to the Mounting Adapter (MP60/70 only)

1. Fasten Mount to bottom of Mounting Adapter with four (4) M6 x 25mm PHMS as shown below.

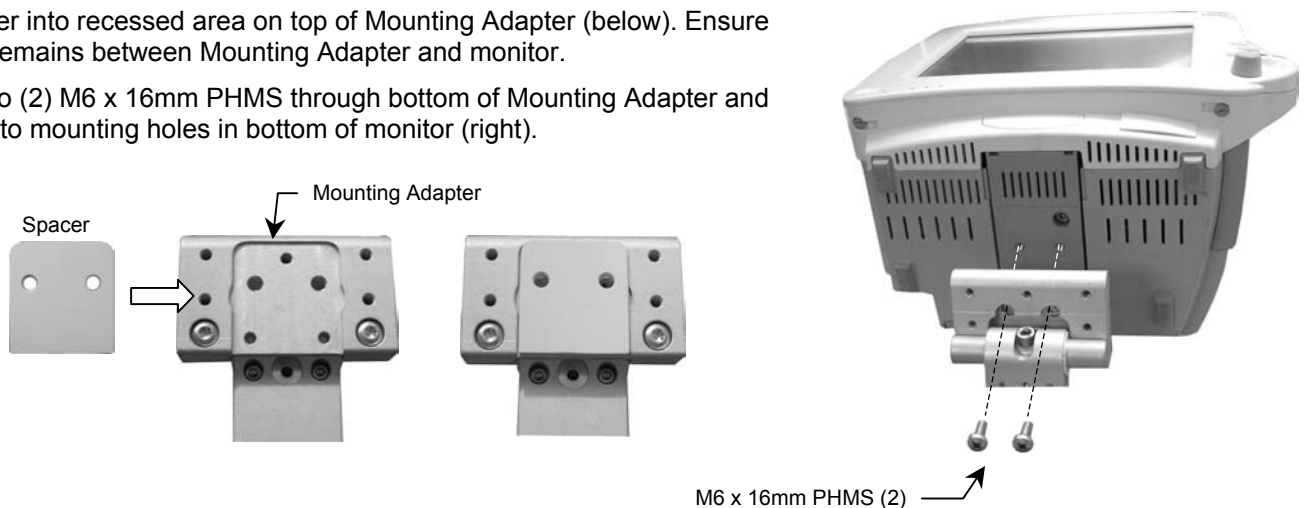


2. Clamp Flexible Module Server (FMS) to Vertical FMS Mount. It may be necessary to remove, rotate, and reattach the pole clamp at the rear of the FMS, to clamp it in a vertical orientation.

## Mounting MP20/30 on non-Table Top Mount

### MP20/30 non-Table Top Mount

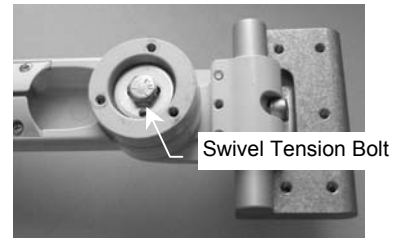
1. Fit Spacer into recessed area on top of Mounting Adapter (below). Ensure Spacer remains between Mounting Adapter and monitor.
2. Insert two (2) M6 x 16mm PHMS through bottom of Mounting Adapter and thread into mounting holes in bottom of monitor (right).



## M-Series Arm Operation and Adjustment

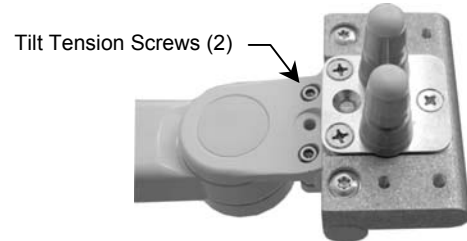
### Adjusting Swivel Tension

1. Remove bolt cap or existing Down Post from Swivel Cup (bottom of front end of Arm). Tighten or loosen the Swivel Tension Bolt using a 1/2" [13 mm] socket driver.



### Adjusting Tilt Tension

1. Using the 5/32" hex wrench supplied, equally tighten or loosen the two (2) tilt tension screws.



### Adjusting Pivot Tension

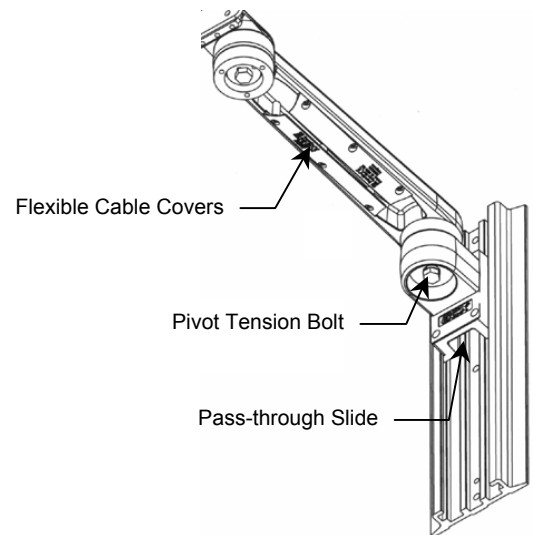
1. Using a 1/2" [13 mm] socket driver, loosen or tighten the Pivot Tension Bolt.

### Cable Management

Two cable management features allow convenient placement and flow of cables:

1. An open cavity beneath the arm (with flexible cable covers) allows management of cables between the front and rear of the arm.
2. A "pass-through" channel at the rear of the slide allows cables to pass behind the arm within the Channel.

**Note:** If cable connectors are too large to fit through the pass-through, try placing the cables in the "pass-through" before installing the arm in the Channel. Contact GCX for optional Channel Covers available to further manage the flow of cables in the Channel.



### Routine Maintenance

Periodically check all mounting hardware. Tighten as needed for optimal operation.

### Cleaning

1. The mounting assembly may be cleaned with most mild, non-abrasive solutions commonly used in the hospital environment (e.g. diluted bleach, ammonia, or alcohol solutions).
2. The surface finish will be permanently damaged by strong chemicals and solvents such as acetone and trichloroethylene.
3. Do not use steel wool or other abrasive material to clean the mounting assembly.
4. Damage caused by the use of unapproved substances or processes will not be covered by warranty. We recommended that you test any cleaning solution on a small area of the arm that is not visible to verify compatibility.
5. Never submerge the arm, and do not allow liquids to enter the arm. Wipe any cleaning agents off of the arm immediately, using a water-dampened cloth. Dry the arm thoroughly after cleaning.

**CAUTION:** GCX makes no claims regarding the efficacy of the listed chemicals or processes as a means for controlling infection. Consult your hospital's infection control officer or epidemiologist. To clean or sterilize mounted instruments or accessory equipment, refer to the specific instructions delivered with those products.