

Installation Guide

Cabinet Surface Mount for Dual Displays



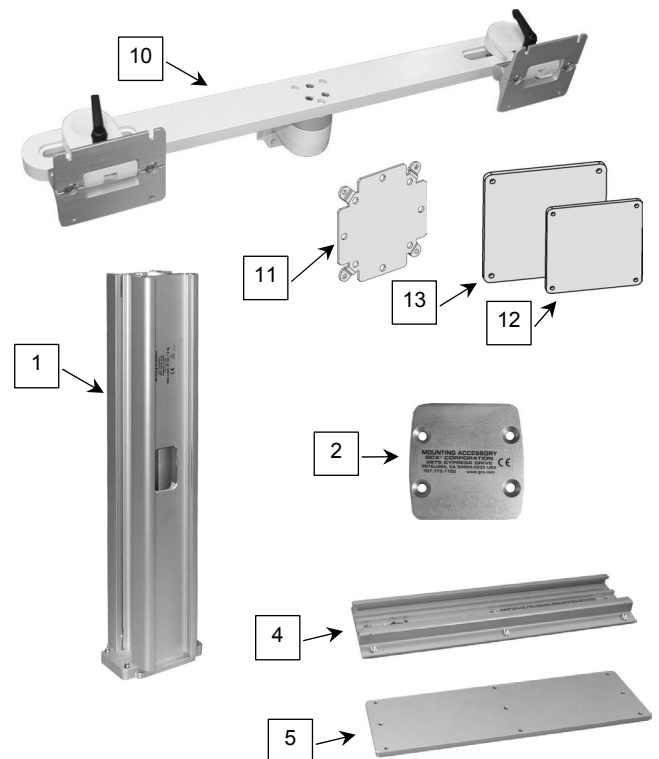
The purpose of this guide is to:

1. Describe procedures for installing Channel on cabinet top and mounting Dual Channel Column (page 2).
2. Describe the procedure for mounting the Dual Display Mounting Bar in the Column.
3. Describe mounting of displays

Parts Reference

The following parts and hardware are included with this installation kit (hardware not shown).

Item #	Description	Qty
1	Dual Channel Column, 18"	1
2	Cover Plate	1
3	1/4-20 x 5/8" Flat Head Socket Cap Screw (FHSCS)	4
4	Channel, 13" Seismic	1
5	Backing Plate, 13"	1
6	#10-32 x 1-1/4" Flat Head Machine Screw (FHMS)	6
7	#10-32 x 1-1/4" Pan Head Machine Screw (PHMS)	3
8	#10-32 x 1-1/2" FHMS	6
9	#10-32 x 1-1/2" PHMS	3
10	Dual Display Mounting Bar	1
11	Display Mounting Kit (includes instructions)	2
12	Spacer, M8031B 15" Display	2
13	Spacer, M8033C 17" Display	2
14	1/8" Hex Wrench	1
15	5/32" Hex Wrench	1
16	Channel Cover, 16" L x 2" W	2
17	Channel Cover, 12" L x 1" W	2



Tools Required

- Drill (not provided)
- 5/16" drill bit (not provided)
- Phillips screwdriver (not provided)
- 1/8" hex wrench (provided)
- 5/32" hex wrench (provided).

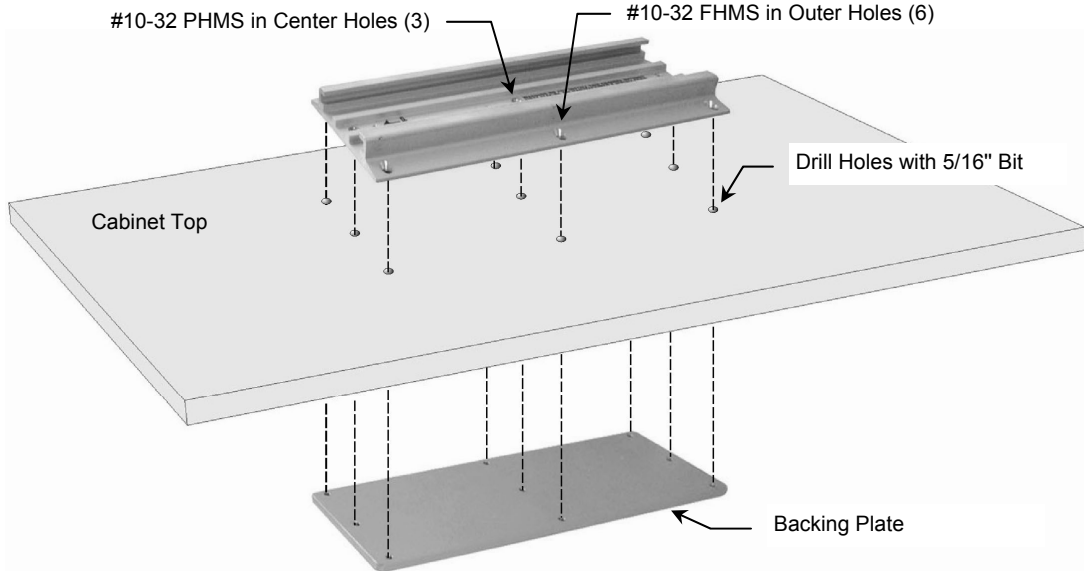


WARNING! It shall be the responsibility of the installer to determine whether the horizontal channel will support the weight of the Dual Channel Column and any mounted instruments or accessories. Load capacity decreases as the load is extended laterally from the Mount. This Dual Channel Column is not compatible with most anesthesia machine top plate applications.

Installing Horizontal Channel and on Cabinet Top

Installation Note: Hardware is provided for attaching Channel to cabinet top material from **3/4" [18mm] to 1" [25mm]** thick.

1. Using the Channel as a template, drill nine (9) holes through the cabinet top with a 5/16" drill bit.
2. Select required length of screw (1-1/4" or 1-1/2"), and fasten Channel to Backing Plate (through cabinet top) with six (6) #10-32 FHMS (outer holes) and three (3) #10-32 PHMS (center holes).



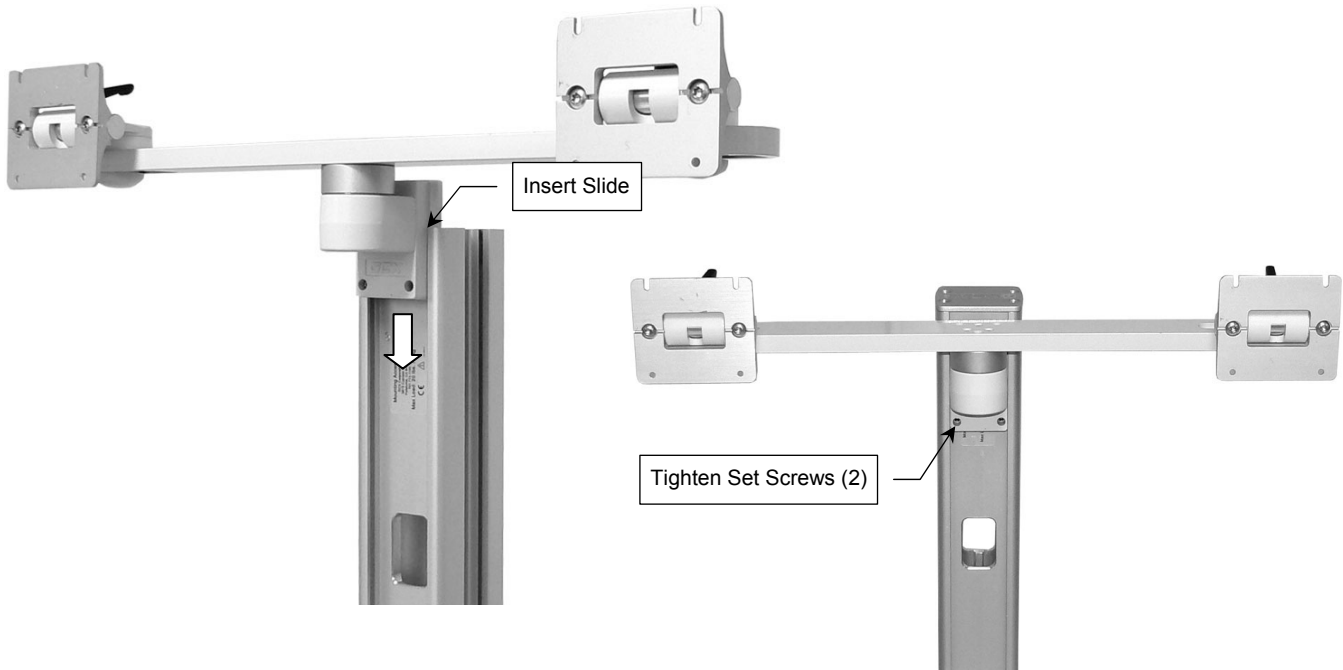
Mounting Dual Channel Column in Channel

1. Guide Channel Slide (bottom of Column) into Channel and move to desired mounting position.
2. Using the 1/8" hex wrench provided, tighten four (4) socket set screws to secure Column position in Channel.

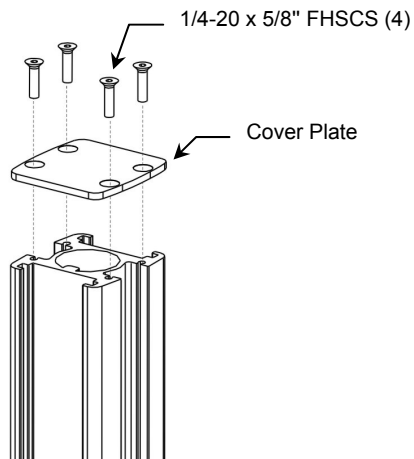


Mounting the Dual Display Mounting Bar on the Dual Channel Column

1. Insert Channel Slide in top of Channel, move to mounting position, and tighten all set screws in Slide.



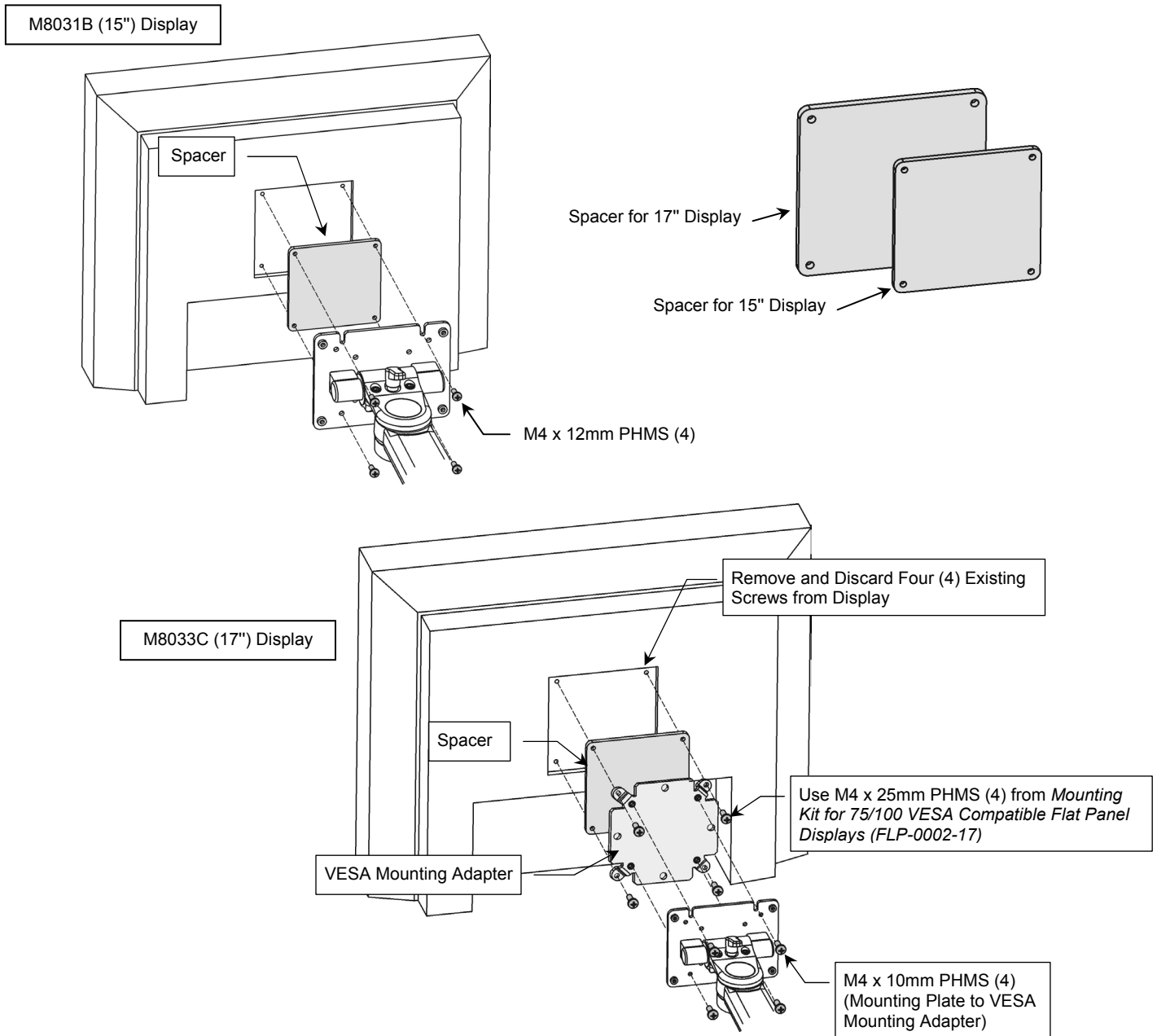
2. Using the 5/32" hex wrench provided, fasten Cover Plate to top of Dual Channel Column with four (4) 1/4-20 x 5/8" FHSCS (below). **Installation Note:** This step should be accomplished only after all devices and accessories have been mounted in the front and rear channels.



Mounting the Displays

Mount displays using hardware from the *Mounting Kit for 75/100 VESA Compatible Flat Panel Displays (provided)*. This installation kit includes a detailed installation guide for mounting the display.

Installation Note: A Spacer (provided) is required for mounting either an M8031B (15") or M8033C (17") display. Insert appropriate Spacer and mount display as shown below. **15" display:** Use M4 pan head machine screws from *Mounting Kit for 75/100 VESA Compatible Flat Panel Displays*. **17" display:** Use M4 pan head machine screws plus VESA Mounting Adapter from *Mounting Kit for 75/100 VESA Compatible Flat Panel Displays*.



Cable Management

1. Cables may be routed through the rear of the Channel Slide.
2. A pass-through is provided in mid-channel to allow cables to be routed to the rear of the Column.
3. Channel Covers (not shown) are provided for both the 2-inch and 1-inch wide Channels. Channel Covers serve both as an aesthetic cover and may be used for cable management along the Channel. After all equipment has been mounted, install Channel Covers in accordance with separate installation guide.



Making Adjustments to the Display Bar

Horizontal Adjustment

The two (2) Display Mounts may be adjusted horizontally to accommodate two (2) flat panel displays with *enclosures* up to 21" in width (not diagonal measurement). Using a 1/2" [13 mm] wrench, loosen the bolt on the bottom of the Display Bar. Move display to desired position and tighten bolt. **Note:** This adjustment may affect both horizontal movement and swivel tension of the display. Ideally, this adjustment would allow the display to swivel but not move horizontally.

Swiveling the Display

Swivel displays individually (limited to $\pm 15^\circ$) or swivel the Display Bar, Arm, or Roll Stand.

Adjusting Swivel Tension

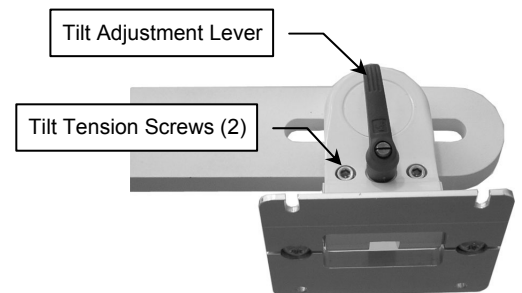
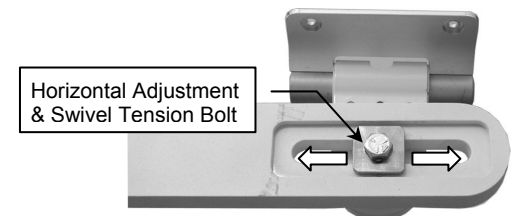
Using a 1/2" [13 mm] wrench, tighten or loosen the Swivel Tension Bolt as required to achieve desired tension. See *Horizontal Adjustment "Note"* above.

Adjusting Tilt

Lever provides ratchet-style adjustment. Turn the Tilt Adjustment Lever counterclockwise (CCW) to loosen. Grasp display and tilt to desired angle. Turn Lever clockwise (CW) to tighten and lock position.

Adjusting Tilt Tension

Using the 5/32" hex key (provided), equally tighten or loosen the two (2) Tilt Tension Screws. Once desired tilt tension is set, use the Tilt Adjustment Lever to fine tune/lock the tilt position.



Routine Maintenance of the Mounting System

Periodically check all mounting hardware. Tighten as necessary for optimal operation.

Cleaning the Mounting Assembly

CAUTION: GCX makes no claims regarding the efficacy of the listed chemicals or processes as a means for controlling infection. Consult your hospital's infection control officer or epidemiologist. To clean or sterilize mounted instruments or accessory equipment, refer to the specific instructions delivered with those products.

1. The mounting assembly may be cleaned with most mild, non-abrasive solutions commonly used in the hospital environment (e.g. diluted bleach, ammonia, or alcohol solutions).
2. The surface finish will be permanently damaged by strong chemicals and solvents such as acetone and trichloroethylene.
3. Do not use steel wool or other abrasive material to clean the mounting assembly.
4. Damage caused by the use of unapproved substances or processes will not be covered by warranty. We recommend testing of any cleaning solution on a small area of the arm that is not visible to verify compatibility.
5. Never submerge or allow liquids to enter the mounting assembly. Wipe any cleaning agents off the mounting assembly immediately using a water-dampened cloth. Dry all parts thoroughly after cleaning.