

## Installation Guide

### 20" Height-adjustable Display Mount and Horizontal Channel



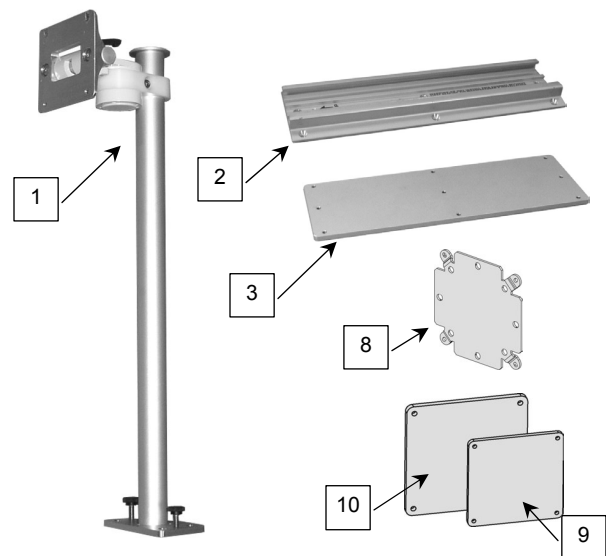
The purpose of this guide is to:

1. Describe the procedure for attaching Channel to counter top.
2. Describe the procedure for mounting the Column in the channel.

### Parts Reference

The following parts and hardware are included with this installation kit (hardware not shown).

Item #	Description	Qty
1	VESA Mount, 20" Height Adjustable	1
2	Channel, 13" Seismic	1
3	Backing Plate, 13"	1
4	#10-32 x 1-1/4" Flat Head Machine Screw (FHMS)	6
5	#10-32 x 1-1/4" Pan Head Machine Screw (PHMS)	3
6	#10-32 x 1-1/2" FHMS	6
7	#10-32 x 1-1/2" PHMS	3
8	Display Mounting Kit (includes instructions)	1
9	FIMI Spacer, 15" Display	1
10	FIMI Spacer, 17" Display	1
11	3/16" Hex Wrench	1
12	5/32" Hex Wrench	1

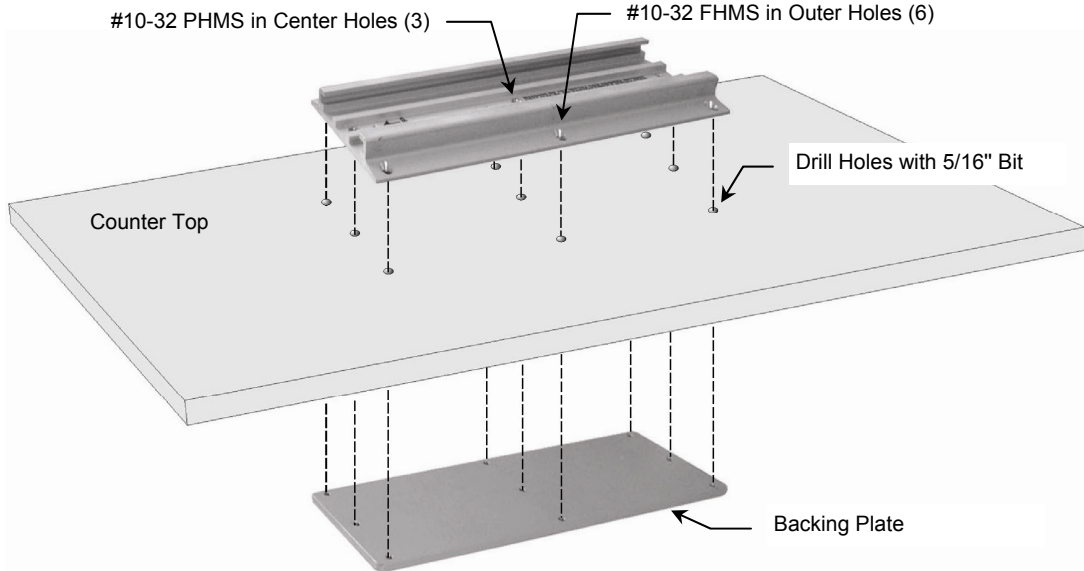


**Tools Required:** Drill, 5/16" drill bit, and Phillips screwdriver (not provided). 3/16" hex wrench (provided).

## Attaching Channel to Counter Top

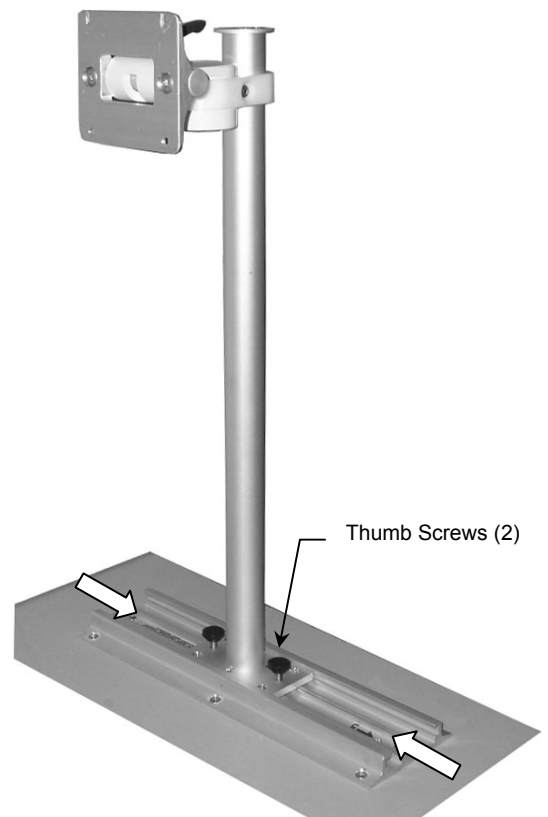
**Installation Note:** Hardware is provided for attaching Channel to counter top material from 3/4" [18mm] to 1" [25mm] thick.

1. Using the Channel as a template, drill nine (9) holes in the counter top with a 5/16" drill bit.
2. Select required length of screw (1-1/4" or 1-1/2"), and fasten Channel to Backing Plate (through counter top) with six (6) #10-32 FHMS (outer holes) and three (3) #10-32 PHMS (center holes).



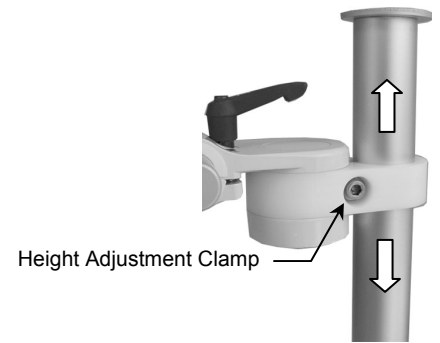
## Mounting the Height-adjustable Column in the Channel

1. Slide Base Plate into channel and move to desired mounting position.
2. Tighten two (2) thumb screws to secure position in channel.

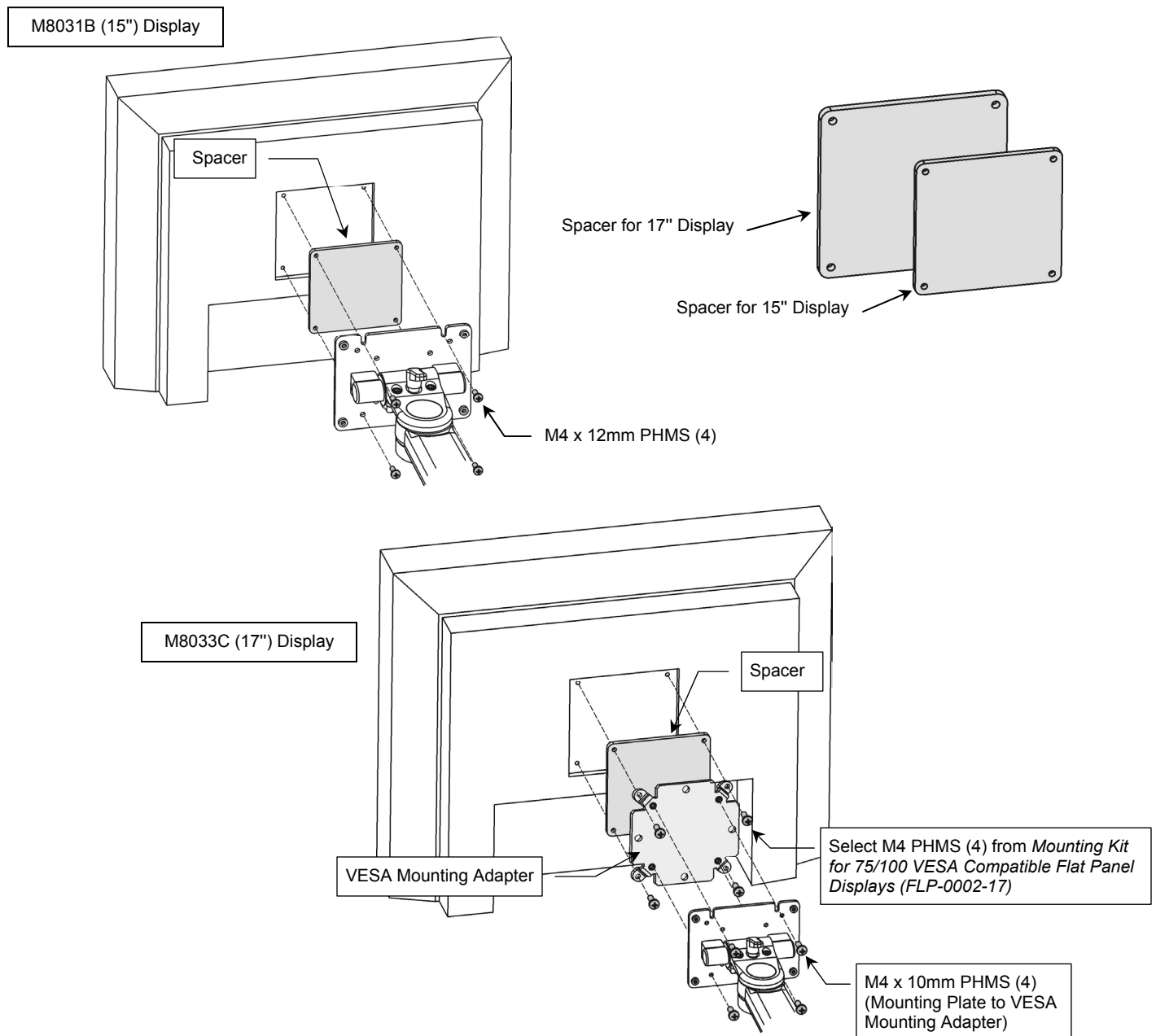


## Mounting the Display

1. Determine height at which the display must be mounted.
2. Using the 3/16" hex wrench, loosen the Height Adjustment Clamp on the side of the mounting assembly (right). Slide Mount to required height on Post and tighten Clamp until Mount does not slide down Post. **Installation Note:** Further tightening may be necessary after mounting the display.
3. Mount display using hardware from *Mounting Kit for 75/100 VESA Compatible Flat Panel Displays (provided)*. This installation kit includes a detailed installation guide for mounting the display.



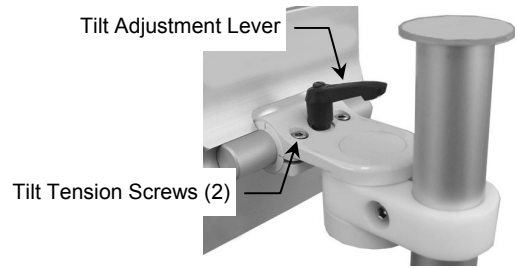
**Installation Note:** A Spacer (provided) is required for mounting either an M8031B (15") or M8033C (17") display. Insert appropriate Spacer and mount display as shown below. **15" display:** Use M4 pan head machine screws from *Mounting Kit for 75/100 VESA Compatible Flat Panel Displays*. **17" display:** Use M4 pan head machine screws plus VESA Mounting Adapter from *Mounting Kit for 75/100 VESA Compatible Flat Panel Displays*.



## Tilt and Swivel Adjustments

### Tilt Position

1. Loosen Tilt Adjustment Lever.
2. Grasp top and/or bottom of instrument and tilt to desired angle.
3. Tighten Tilt Adjustment Lever.

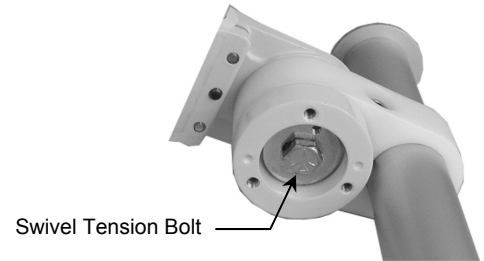


### Tilt Tension

1. Using the 5/32" hex wrench provided, equally tighten or loosen the two (2) Tilt Tension Screws.

### Swivel Tension

1. Using a 1/2" socket wrench, loosen or tighten the swivel tension bolt on the bottom of the Swivel Head.



## Routine Maintenance

Periodically check all mounting hardware. Tighten as necessary for optimal operation.

## Cleaning the Mounting Assembly

**CAUTION:** GCX makes no claims regarding the efficacy of the listed chemicals or processes as a means for controlling infection. Consult your hospital's infection control officer or epidemiologist. To clean or sterilize mounted instruments or accessory equipment, refer to the specific instructions delivered with those products.

1. The mounting assembly may be cleaned with most mild, non-abrasive solutions commonly used in the hospital environment (e.g. diluted bleach, ammonia, or alcohol solutions).
2. The surface finish will be permanently damaged by strong chemicals and solvents such as acetone and trichloroethylene.
3. Do not use steel wool or other abrasive material to clean the mounting assembly.
4. Damage caused by the use of unapproved substances or processes will not be covered by warranty. We recommended that you test any cleaning solution on a small area of the arm that is not visible to verify compatibility.
5. Never submerge or allow liquids to enter the mounting assembly. Wipe any cleaning agents off the mounting assembly immediately, using a water-dampened cloth. Dry all parts thoroughly after cleaning.