

Installation Guide

Folding Keyboard Bracket for VHM or M-Series Arm with Swivel-only Head

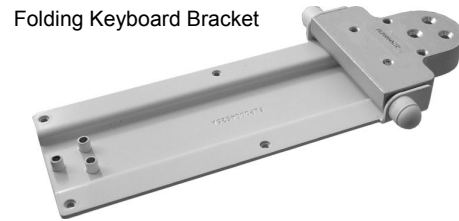
The purpose of this guide is to:

1. Describe attachment of Folding Keyboard Bracket to Swivel-only Head.
2. Describe adjustment of Folding Keyboard Bracket.

Parts Reference

The parts list below includes the parts and hardware that will be used in this installation procedure (see photos for parts; hardware not shown).

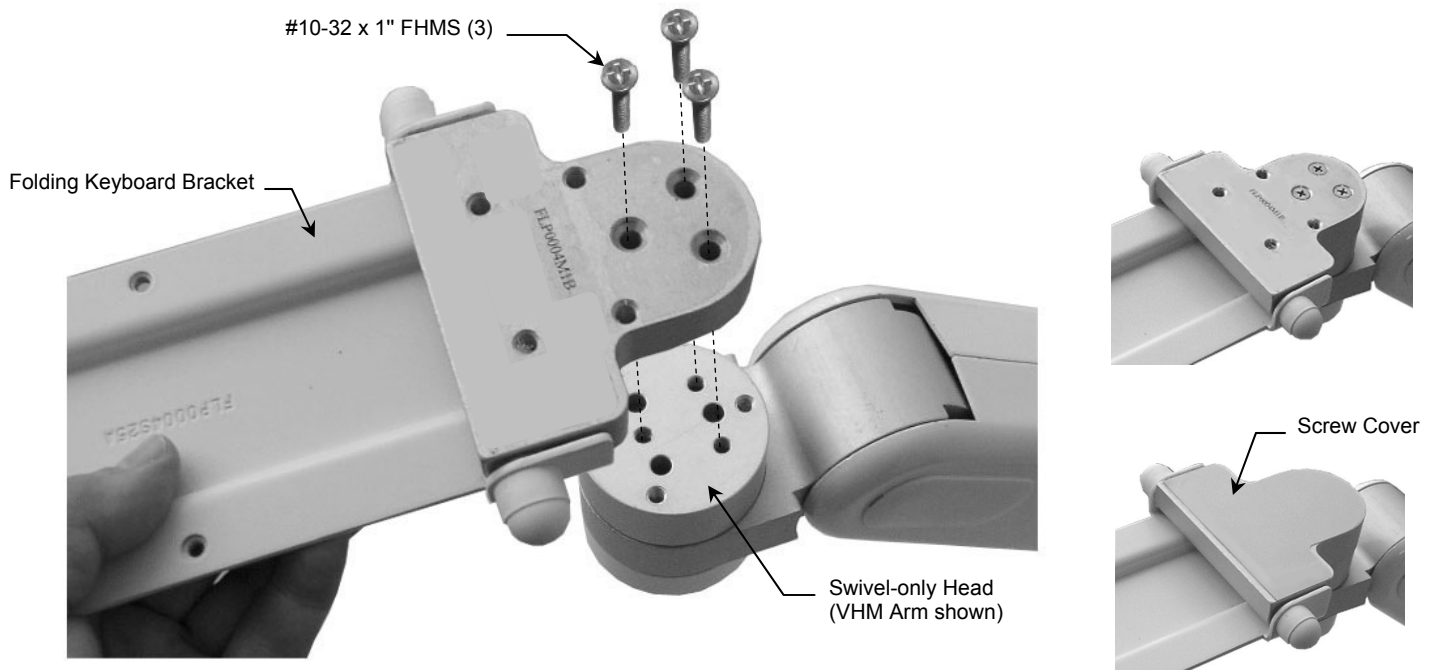
Item #	Description	Qty
1	Folding Keyboard Bracket	1
2	#10-32 x 1" Flat Head Machine Screw (FHMS)	3
3	Screw Cover	1



Attaching Bracket to Swivel-only Head on VHM or M-Series Arm

Tools Required: Phillips screwdriver (not provided).

1. Align three (3) mounting holes in Folding Keyboard Bracket with three (3) threaded holes in the Swivel-only Head. Fasten Bracket to Swivel Head with three (3) #10-32 x 1" FHMS (see below).
2. Peel Backing off Screw Cover and attach Cover to top of Bracket (below right).

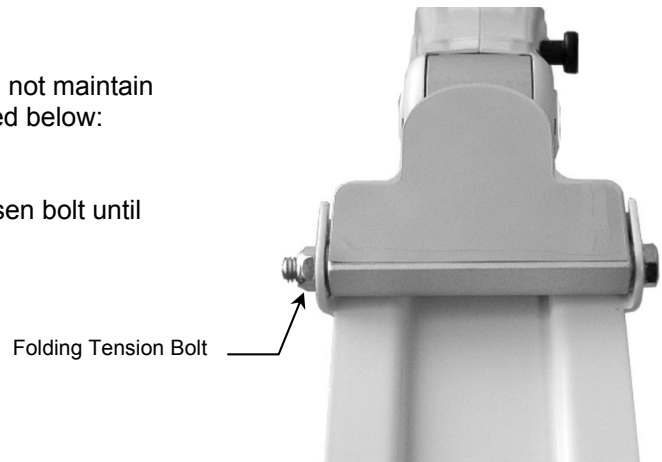


Adjusting Folding Tension

Tools Required: Two (2) 1/2" wrenches (not provided).

If the Folding Keyboard Bracket becomes difficult to fold or will not maintain the folded (upward) position, adjust folding tension as described below:

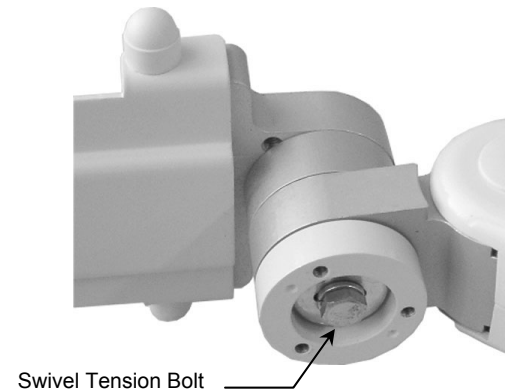
1. Pry plastic bolt covers off each end of the hinge bolt.
2. Using a 1/2" wrench on each end of the bolt, tighten or loosen bolt until desired tension is achieved.
3. Replace bolt covers.



Adjusting Swivel Tension

Tools Required: 1/2" wrench (not provided).

1. Using a 1/2" socket wrench, tighten or loosen the swivel tension bolt as required.



Attaching Keyboard Tray or Plate to Folding Keyboard Bracket

Attach Keyboard Tray or Plate according to installation guide included with the Tray or Plate. Installation guide is titled: "Keyboard Mounting Plate and Keyboard Tray" (DU-WM-0023).

Keyboard Bracket folds as shown below.



Routine Maintenance

Periodically inspect all hardware associated with the mounting system. Tighten or adjust as necessary for optimal operation and safety.

Cleaning the Mounting Assembly

1. The mounting assembly may be cleaned with most mild, non-abrasive solutions commonly used in the hospital environment (e.g. diluted bleach, ammonia, or alcohol solutions).
2. The surface finish will be permanently damaged by strong chemicals and solvents such as acetone and trichloroethylene.
3. Do not use steel wool or other abrasive material to clean the mounting assembly.
4. Damage caused by the use of unapproved substances or processes will not be covered by warranty. We recommend testing of any cleaning solution on a small area of the arm that is not visible to verify compatibility.
5. Do not submerge or allow liquids to enter the arm. Wipe any cleaning agents off of the arm immediately using a water-dampened cloth. Dry the arm thoroughly after cleaning.

CAUTION: GCX makes no claims regarding the efficacy of the listed chemicals or processes as a means for controlling infection. Consult your hospital's infection control officer or epidemiologist. To clean or sterilize mounted instruments or accessory equipment, refer to the specific instructions delivered with those products.