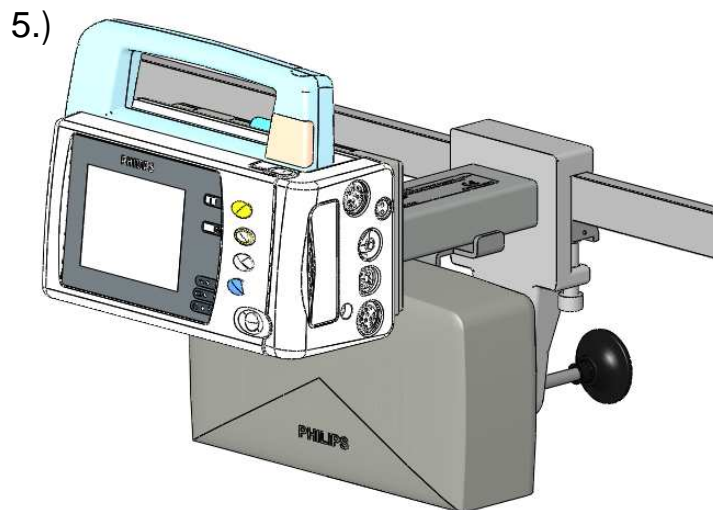
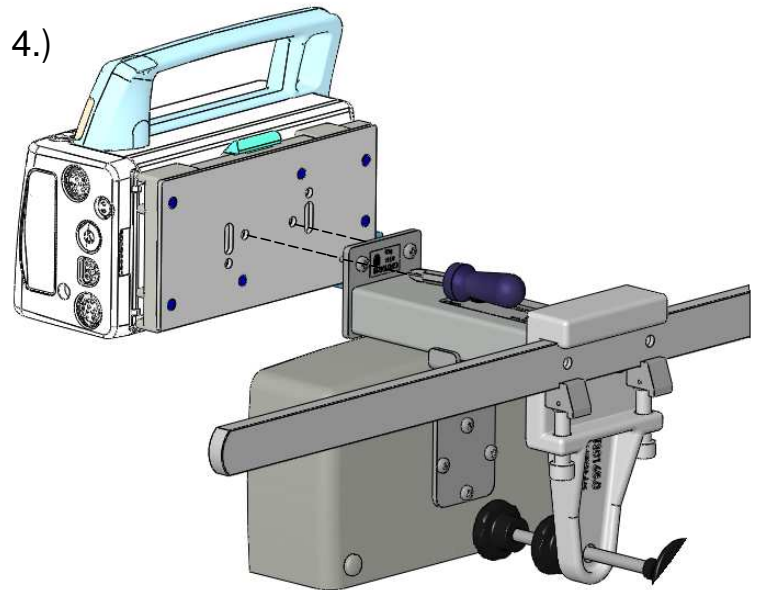
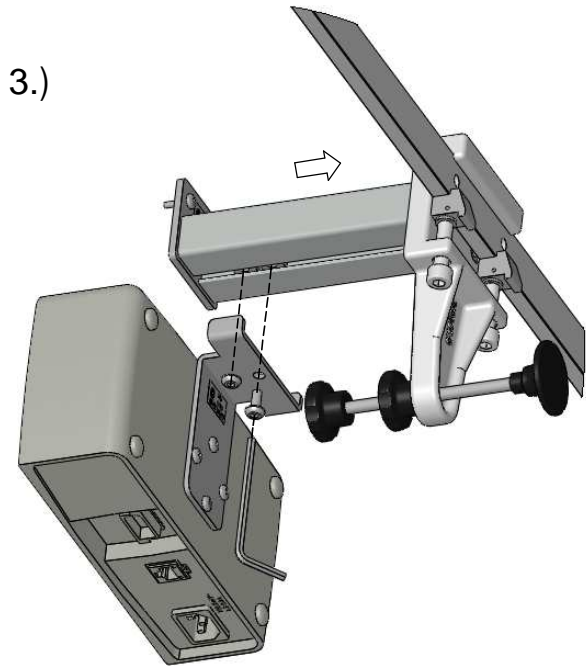
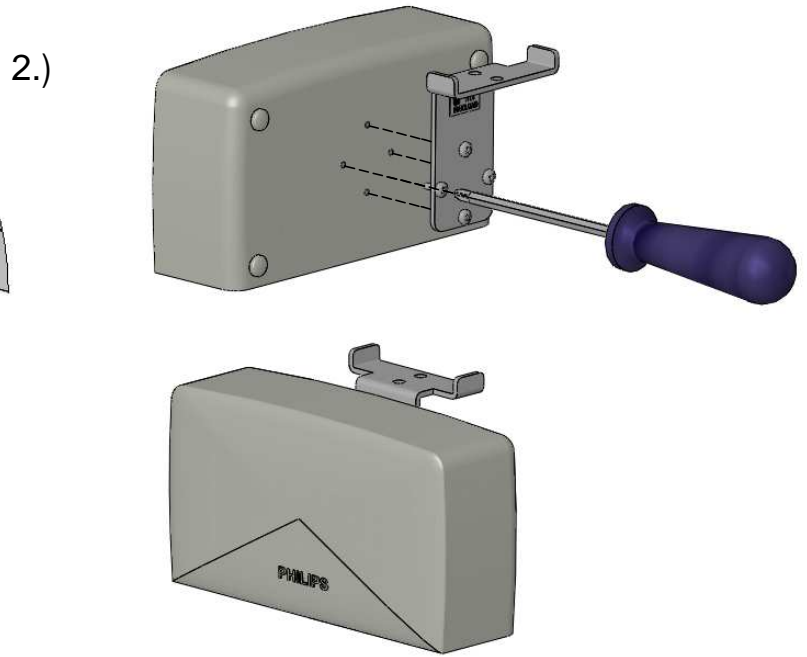
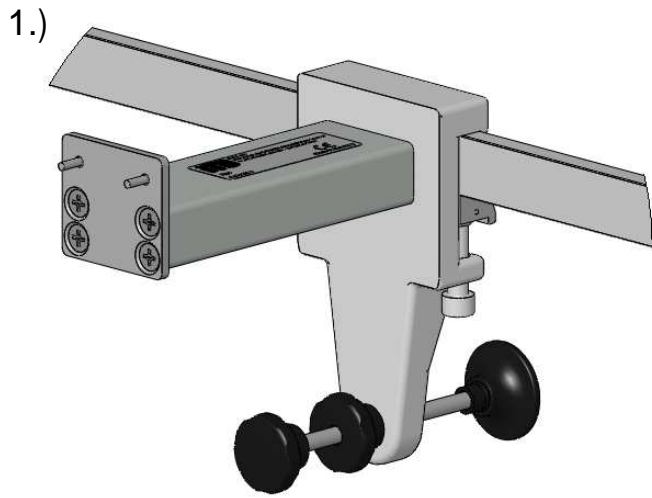
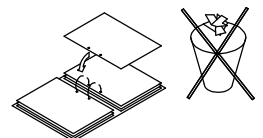


Installation notes for TS.6284.XXX (compatible with Philips-monitor MP2/X2)



ITD GmbH
Sportplatzstraße 3 84381 Johanniskirchen · Germany
Tel. +49-89-61 44 25-0 · Fax +49-89-61 44 25-20
sales@itd-cart.com · www.itd-cart.com



MA.0434.799
001/ 21.04.2011